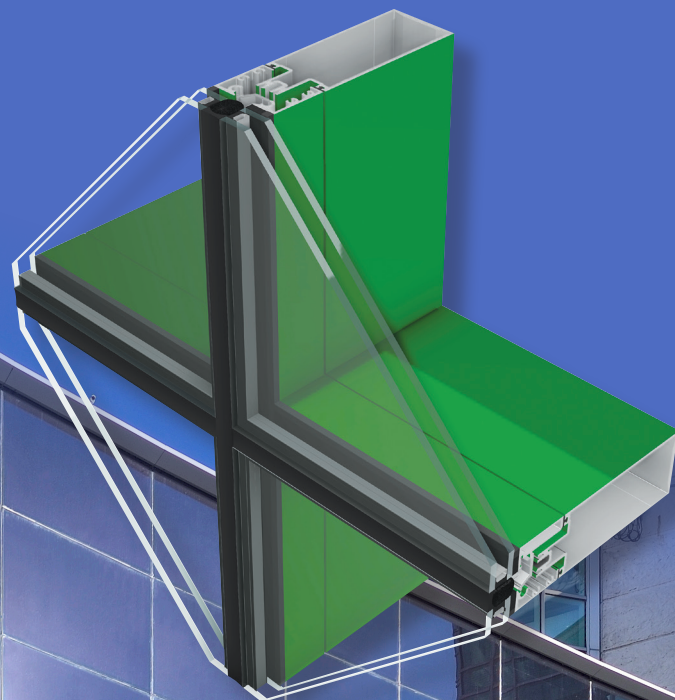


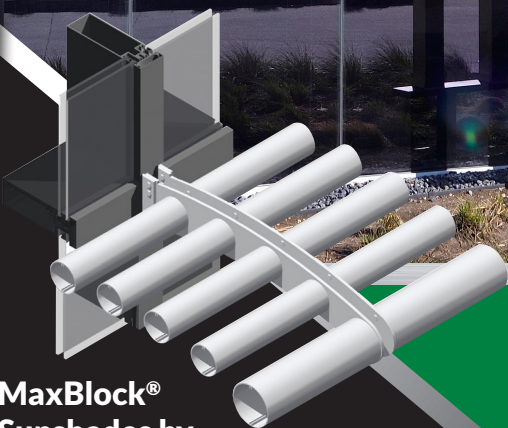
## 400 4-Side SSG Cassette Series

Designed for low- and mid-rise applications, the Cassette system is designed to be used with most variations of 400 Series Curtainwall – CW, T, SS & TU framing for SSG exterior face of 1" glass thickness. This system has no exterior exposed metal, and adapts to an interior sight line of 2-1/2" using the strength of variable-depth backmembers. Tubelite's unique glass-to-edge design allows an all glass exterior appearance. Pivot and slide anchor system allows ease of installation.

A patent is pending on a number of features on this system.



400 Series  
Curtainwall



MaxBlock®  
Sunshades by  
Tubelite®

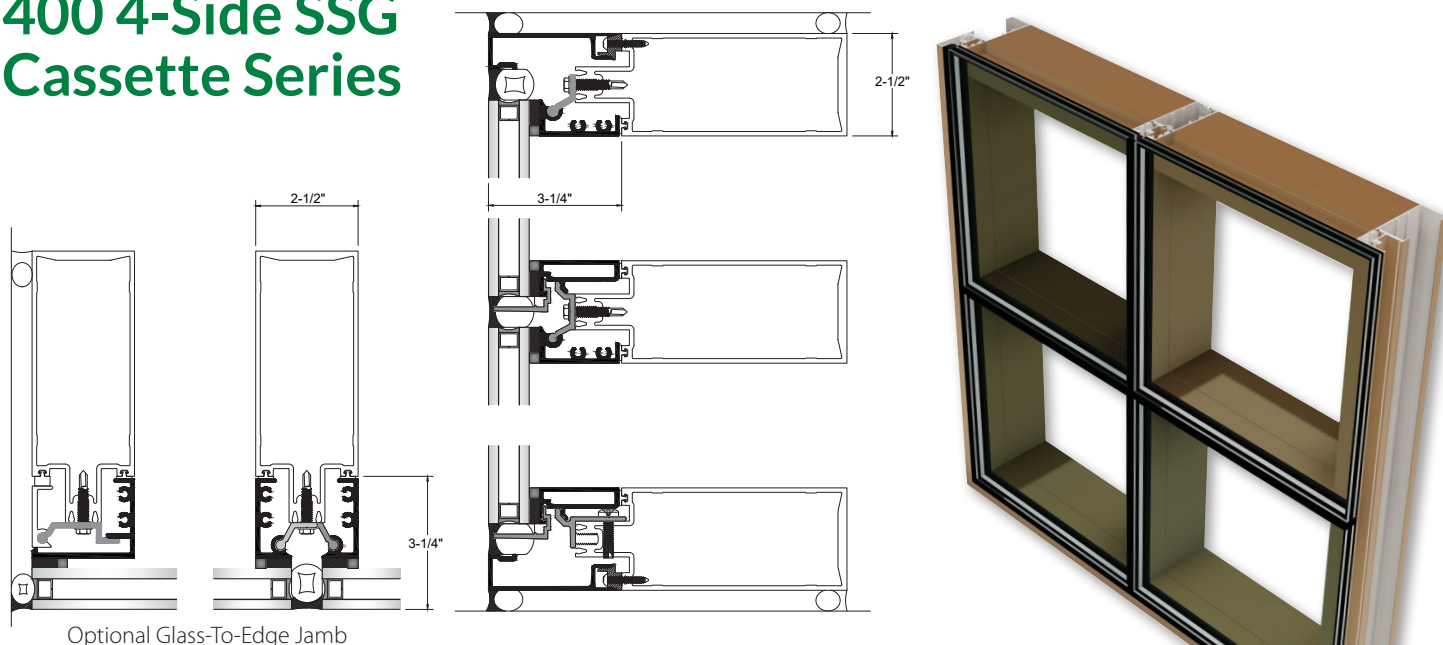
ALSO  
USED  
WITH

**TUBELITE**®  
DEPENDABLE

LEADERS IN ECO-EFFICIENT STOREFRONT,  
CURTAINWALL AND ENTRANCE SYSTEMS



## 400 4-Side SSG Cassette Series



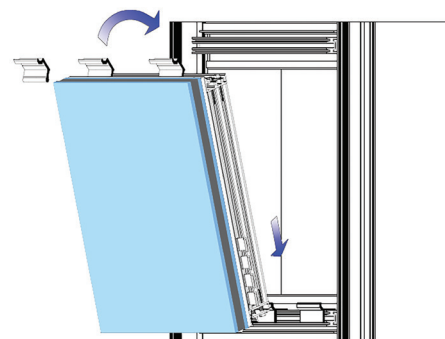
Optional Glass-To-Edge Jamb

### System Features:

- Common cassette frame across 400CW / T, 400SS & 400TU – all system depths
- “Pivot and slide” head and jamb anchors
- “Roll-over” dead load sill anchor
- “Glass-to-Edge” feature at perimeters
- Optional snap-on perimeter closure
- Door frame compatible
- Cassette SSG to traditional captured curtainwall transition
- Structural silicone glazing or 3M VHB tape glazing
- Outside and inside 90 degree corners
- Screw spline cassette frame construction
- Sun shade attachments
- Recessed alignment gasket
- Glass thickness – 1/4" to 1-5/16"
- Designed to attach to 2-1/2" face width back members
- Horizontal and Vertical accent covers can be added
- Anchors can be designed to allow renovation of existing buildings with curtainwall framing



Intermediate Vertical



Cassette Frame Installation

### 400 4-Side SSG Cassette Series Product Specifications

**Application:** Low and mid-rise Commercial buildings including retail, office, healthcare, schools, etc.

**Description:** 2-1/2" x (5-5/8" to 10") shop glazed, screw spline construction cassette framing

Interior Face Width:	System Depth:	Glass:	Air Infiltration:	Water Infiltration:	Structural:	U-Factor**:	CRF (Frame):	Acoustic:
2-1/2"	up to 11-1/4"	1" std (1/4" – 1-5/16")	0.06 CFM/Ft.2 @ 6.24 PSF	15 PSF – Static 15 PSF – Dynamic	40 PSF – Design 60 PSF – Overload	0.32 - 400CW-SSG 0.31 - 400SS-SSG	400 CW/T - 85 400 SS - 84	32 STC 26 OITC

\*\* U-Factor per NFRC 100: COG = 0.24 with warm edge spacer, 1-3/4" x 4-1/2" non-thermal frame.

Refer to the U-Factor table at: [www.tubeliteinc.com/products/curtainwall/400-cassette/](http://www.tubeliteinc.com/products/curtainwall/400-cassette/) for other glass makeups and configurations.

DISCLAIMER: Tubelite takes no responsibility for product selection or application, including, but not limited to, compliance with building codes, safety codes, laws, merchantability or fitness for a particular purpose; and further disclaims all liability for the use, in whole or in part, of this Technical Guide in preparation of project specifications and/or other documents. Technical Guides are subject to change at any time, without notice, and at Tubelite's sole discretion. ©2018 Tubelite Inc.

092420

# TUBELITE®

**DEPENDABLE**

LEADERS IN ECO-EFFICIENT STOREFRONT,  
CURTAINWALL AND ENTRANCE SYSTEMS