

# DEPENDABLE PRODUCT NEWS

## TUBELITE®

DEPENDABLE

LEADERS IN ECO-EFFICIENT STOREFRONT,  
CURTAINWALL AND ENTRANCE SYSTEMS

Date: **01/14/14**

Engineering Bulletin: **011401**

*Effective Date: **January 14, 2014***

Released By: **T.Trinh**

**Subject:  
New Door Lugs (P035X);**

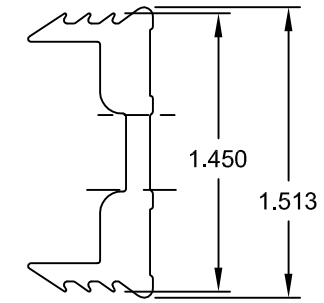
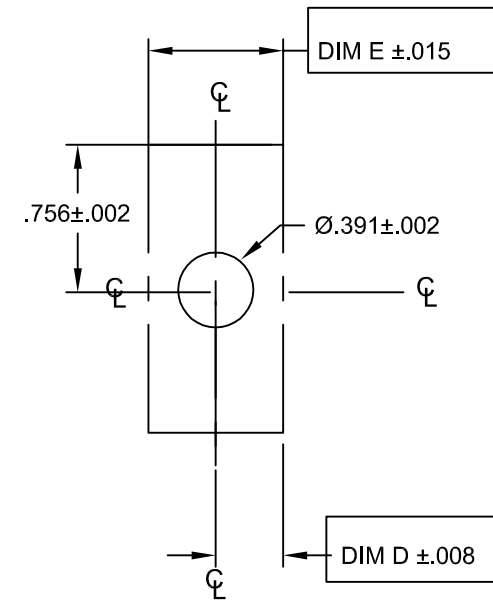
**Description:**

As part of Tubelite's product improvement, new door lugs have been released. Old door lugs cannot be used within the same rail along with new lugs. Please see below for part information:

| Old p/n | Part Number | Description                     | List Price    |
|---------|-------------|---------------------------------|---------------|
| P1417   | P035A       | Door lug for Rail E0734,        | \$118 (PK-50) |
| P907    | P035B       | Door lug for Rail E1050         | \$102 (PK-50) |
| P031    | P035C       | Door lug for Rail E0054,        | \$91 (PK-50)  |
| P409    | P035D       | Door lug for Rail E1376,        | \$76 (PK-50)  |
| P1649   | P035E       | Door lug for Rail E3029         | \$118 (PK-50) |
| P340    | P035F       | Door lug for Rail E0140         | \$90(PK-50)   |
| P339    | P035G       | Door lug for Rail E0318,        | \$90 (PK-50)  |
| P909    | P035H       | Door lug for Rail E3016         | \$112 (PK-50) |
| P908    | P035I       | Door lug for Rail E1051         | \$93 (PK-50)  |
| P341    | P035J       | Door lug for Rail E0419         | \$93 (PK-50)  |
| P1497   | P035K       | Door lug for Rail E2682         | \$130 (PK-50) |
| P1648   | P035M       | Door lug for Rail E2669, E2954; | \$143 (PK-50) |
| P168    | P035T       | Door lug for Rail E0255,        | \$174 (PK-50) |
| P 030   | P035U       | Door lug for Rail E1375         | \$63 (PK-50)  |
| P 130   | P035V       | Door lug for Rail E0148         | \$88 (PK-50)  |

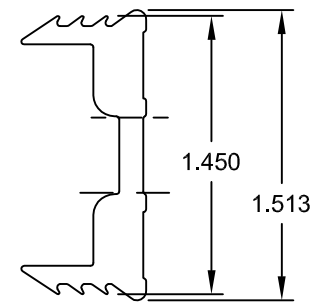
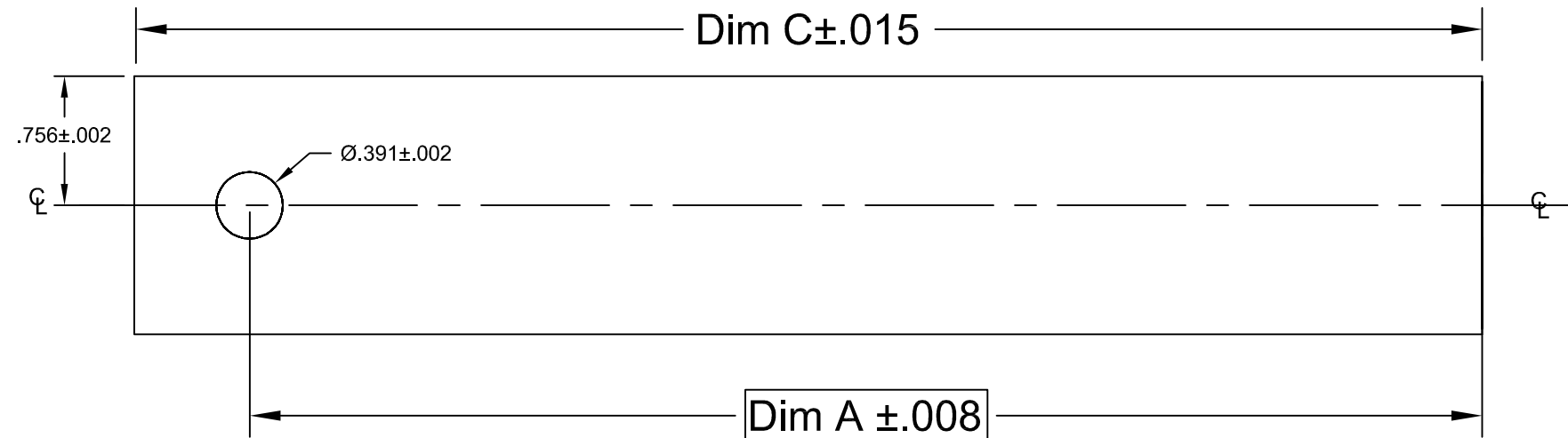
| PART NUMBER | RAIL USED                            | DIM A | DIM C | REF X |
|-------------|--------------------------------------|-------|-------|-------|
| P035A-0R    | 1 3/4" - E0734                       | .290  | 1.157 | 1.195 |
| P035B-0R    | 3.5" Monumental - E1050              | .915  | 1.377 | 2.258 |
| P035C-0R    | 4" - E0054                           | 1.260 | 1.939 | 2.475 |
| P035D-0R    | 4" - E1376                           | 1.260 | 3.198 | 2.475 |
| P035E-0R    | 4 1/2" Monumental - E3029            | 1.698 | 2.377 | 2.475 |
| P035F-0R    | 4 1/2" - E0140                       | 1.759 | 2.438 | 2.475 |
| P035G-0R    | 5" - E0318                           | 2.259 | 2.939 | 2.475 |
| P035H-0R    | 6" - E3016                           | 3.259 | 3.954 | 2.475 |
| P035I-0R    | 6" Monumental - E1051                | 3.197 | 3.877 | 2.475 |
| P035J-0R    | 6 1/2" - E0419                       | 3.759 | 4.438 | 2.475 |
| P035K-0R    | 7 1/2" - E2682                       | 4.760 | 5.438 | 2.475 |
| P035M-0R    | 10" Monumental - E2954; 10" STD 2669 | 7.202 | 7.877 | 2.475 |

| PART NUMBER | RAILED USED    | DIM D | DIM E | REF X |
|-------------|----------------|-------|-------|-------|
| P035T-0R    | 2 1/8" - E0255 | .351  | .702  | 1.508 |
| P035U-0R    | 2 1/8" - E1375 | .663  | 1.342 | 1.195 |
| P035V-0R    | 3" - E0148     | .477  | .954  | 2.258 |



ACTUAL SIZE

MATERIAL - E 0998  
Door Lug Extrusion:  
P035T thru P035V

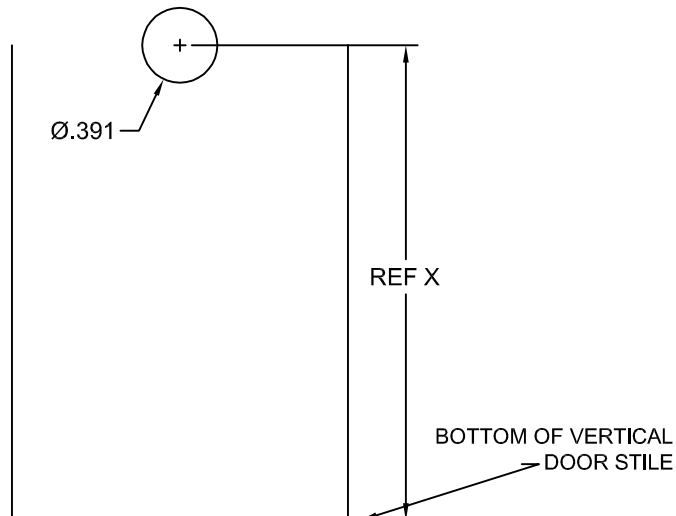


ACTUAL SIZE

MATERIAL - E 0998  
Door Lug Extrusion  
P035A thru P035 M

### Notes

SEE CHART FOR REF. POINT - DIM X (internal usage only)



This end up towards dove tail feature of the horizontal rail when installed.

© 2006 TUBELITE INC. ALL RIGHTS RESERVED  
ALL UNSPECIFIED RADII .015  
\* INDICATES .031 RADIUS  
□ DENOTES CRITICAL DIMENSION

**TUBELITE**  
DEPENDABLE  
LEADERS IN ECO-EFFICIENT STOREFRONT,  
CURTAINWALL AND ENTRANCE SYSTEMS

3056 WALKER RIDGE NW, SUITE G  
WALKER, MICHIGAN 49544

| REV | DATE     | DESCRIPTION  | INTL |
|-----|----------|--|------|
| A   | 05/10/13 | RLS for prototype                                  | TT   |
| B   | 06/21/13 | Dim A & C was + .016", P035U Dim D & E was + .016" | TT   |
|     |          |  |      |
|     |          |  |      |
|     |          |  |      |
|     |          |  |      |
|     |          |  |      |
|     |          |  |      |

| STD & MONUMENTAL DOOR LUGS<br>NON-THERMAL DOORS<br>PART NUMBERS P035A - P035K |     |              |              |
|---|-----|--------------|--------------|
| DRAWN BY  | TT  | DRWG DATE    | 05/10/13     |
| APPV'D BY   |     | DATE APPVD   |              |
| DRWG SCALE  | N/A | PRODUCT CODE | 90           |
|   |     | <b>P035</b>  | REV <b>B</b> |

P035  
B