

DEPENDABLE PRODUCT NEWS TUBELITE®

DEPENDABLE

LEADERS IN ECO-EFFICIENT STOREFRONT,
CURTAINWALL AND ENTRANCE SYSTEMS

Date: **04/15/2020**

Engineering Bulletin: **ECR00410**

Effective Date: 04/15/2020

Released By: **Tom Sawicki**

Subject: **ForceFront Blast CW & SF Enhancements**

Tubelite is excited to announce major enhancements to our ForceFront Blast Curtainwall and Storefront products.

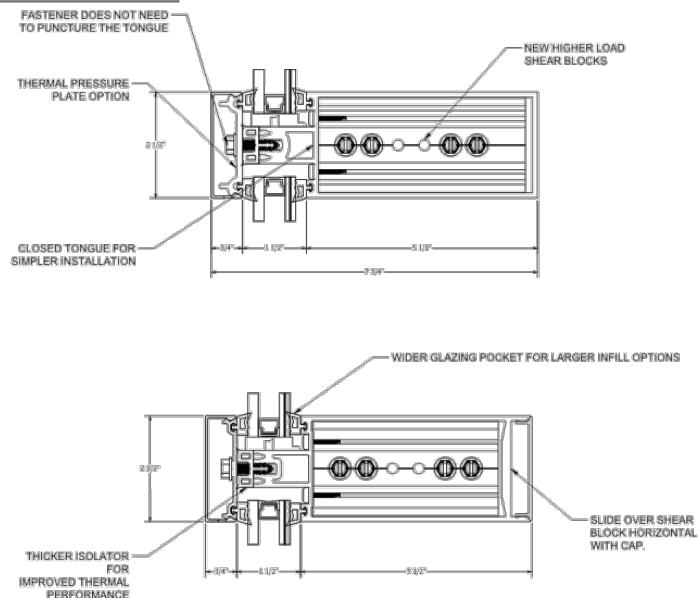
Enhancements include improved thermal performance, additional glazing options, higher load capacity, and easier installation. Details, Design Manuals, and Installation Manual can be found in the links below

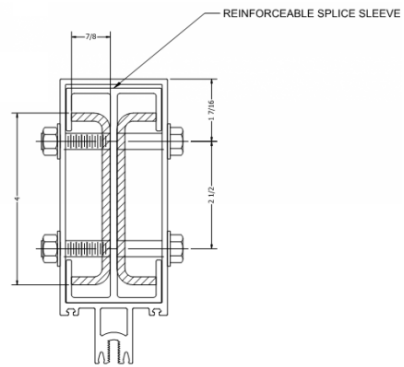
[ForceFront Blast Storefront](#)

[ForceFront Blast Curtainwall](#)

If you have any questions or would like more information, Please contact your Tubelite Client Development Manager.

400T Blast Curtainwall





34000 Blast Storefront

