

400TU High Performance Thermal Curtainwall

Tubelite's newest thermally broken curtainwall product has been designed to meet or exceed today's stringent energy codes. The 400TU Series has a 2-1/2" face, and offers screw-spline or shear clip assembly. The pressure bar system can be stick fabricated, or assembled into "ladders" at your shop for field glazing.

Beauty and Performance

The dual thermal strut decreases U-Factors and increases CRF significantly over many current thermal barrier systems. Glass is positioned to the system exterior for enhanced resistance to rainwater. 400TU also accepts accessories like Tubelite Operable Windows, Thermi=Block® Doors and Maxblock Sunshades.

The 1/2" bite securely grips insulating glass or panels of 1" or 1-3/4" thickness. Verticals can be steel-reinforced for high performance against strong wind loads.

Thorough testing by an independent laboratory ensures that 400TU is the highest quality curtainwall framing product that the industry has to offer.

Thermi=Block
HIGH PERFORMANCE THERMAL FRAMING

TerraPorte 7600
Terrace Door

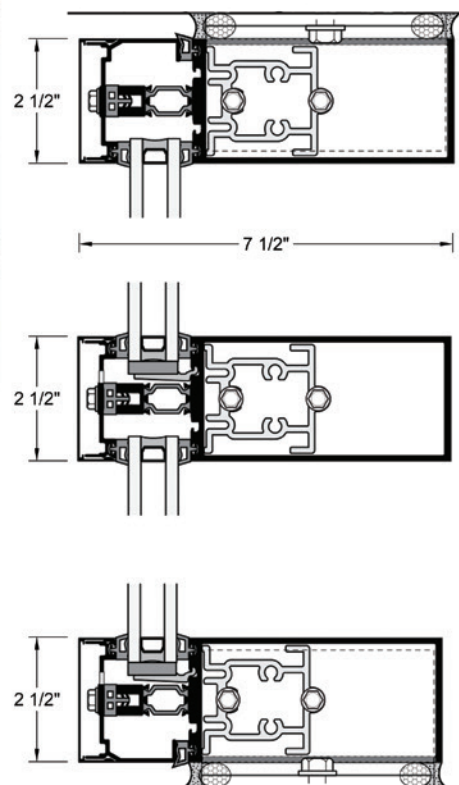
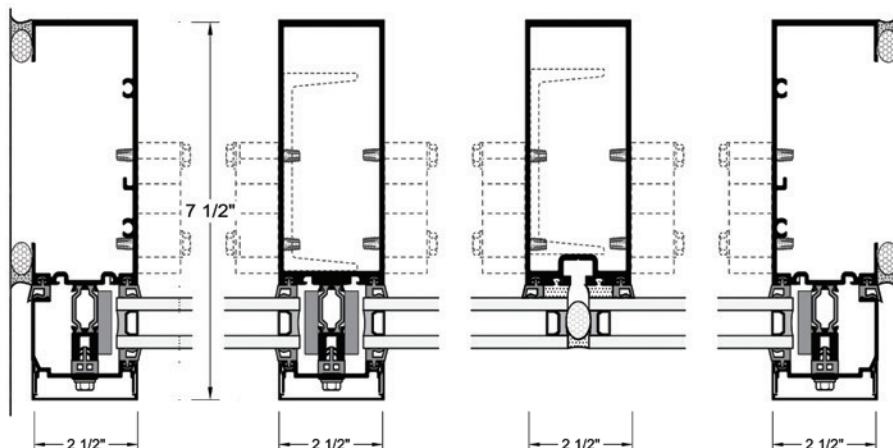
ALSO
USED
WITH

TU24650 Dual Pocket
Poured and Debridged
Thermal Storefront

TUBELITE[®]
DEPENDABLE

LEADERS IN ECO-EFFICIENT STOREFRONT,
CURTAINWALL AND ENTRANCE SYSTEMS

400TU High Performance Thermal Curtainwall



System Features:

- Designed for International Energy Conservation Code (IECC), ASHRAE/IESNA 90.1, 189.1 NFRC U-value and state codes.
- Pressure Plate options for Aluminum or Polyamide composition. See U-Value and CRF info below for Low-E double glazing with argon fill (based on simulated values per NFRC 100).
- Dual and Triple Glazed options for insulated glass.
- Vertical members can also be used as Horizontals (for shear clip assembly).
- Stick fabricated with shear clip or screw spline construction.
- Options for Captured and SSG horizontals and verticals.
- Can be used with MaxBlock sun shades.

400TU Series Product Specifications

Application: Low and mid-rise commercial buildings including retail, office, healthcare, schools, etc.

Description: 2-1/2" x (6" to 10") field glazed, screw spline or shear block high performance curtainwall

Face Width:	Overall Depths:	Glass:	Air Infiltration:	Water Infiltration:	Structural:	U-Factor** Pressure Plate: [NFRC 100]	CRF Pressure Plate: [AAMA 1503]	Acoustic:
2-1/2"	6" to 10"	1" (1/4" to 1-3/4")	0.06 CFM/Ft.2 @ 6.24 PSF	15 PSF – Static 15 PSF – Dynamic	40 PSF – Design 60 PSF – Overload	Dual glazed: 0.31 - Aluminum PP 0.29 - Thermal PP	Dual glazed: 80 Aluminum 82 Thermal Triple glazed: 83 Aluminum	Dual Glazed: 38 STC, 32 OITC Triple Glazed: 41 STC, 30 OITC

** U-Factor per NFRC 100. Refer to the U-Value table at: www.tubeliteinc.com/products/curtainwall/thermlblock-400tu/

DISCLAIMER: Tubelite takes no responsibility for product selection or application, including, but not limited to, compliance with building codes, safety codes, laws, merchantability or fitness for a particular purpose; and further disclaims all liability for the use, in whole or in part, of this Technical Guide in preparation of project specifications and/or other documents. Technical Guides are subject to change at any time, without notice, and at Tubelite's sole discretion. ©2017 Tubelite Inc.

122722

