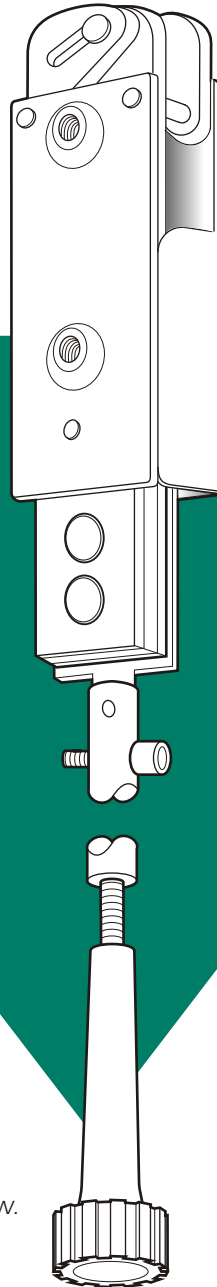


**Header Strike**



**Rod Guide**

## Header Bolt

### Pairs of Doors only

For Aluminum Stile Doors

## 4085

ANSI/BHMA Type E8261 (Grade 1)

### ▼ Adjustment

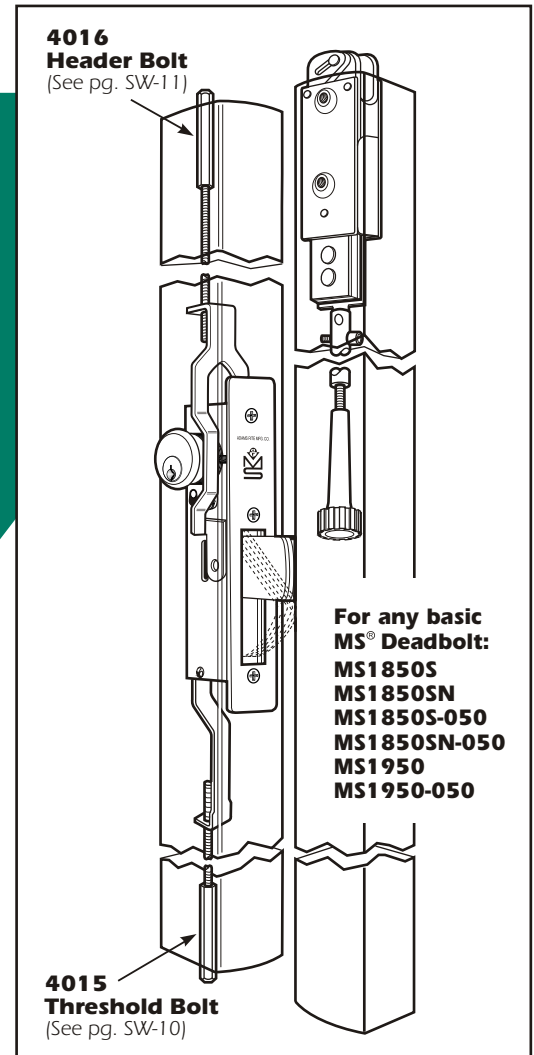
Minor adjustment of rod length is accomplished by turning nylon rod end.

### ▼ Header Bolt

1/2" x 1-1/2" expanding bolt with 5/8" throw. Housed in 1-1/2" x 2-3/4" x 5/8" case.

### ▼ Function

Designed to add a top-of-door third locking point for pairs of doors with an MS® pivoted bolt deadbolt and 4015 Threshold bolt in the active leaf. The 4085 is mounted in the inactive leaf. This additional bolt, triggered by the pivoted MS® bolt, expands in a "scissors" action to center itself in its strike as it rises. This action saves the key holder from the difficulty of lining up the doors with three separate strikes, even if doors are misaligned due to faulty installation or settling. The three-point features may be added to any basic MS1850S/MS1850SN or MS1950 deadbolt.



**4016 Header Bolt**  
(See pg. SW-11)

**4015 Threshold Bolt**  
(See pg. SW-10)

For any basic MS® Deadbolt:  
MS1850S  
MS1850SN  
MS1850S-050  
MS1850SN-050  
MS1950  
MS1950-050

### ▼ Operation

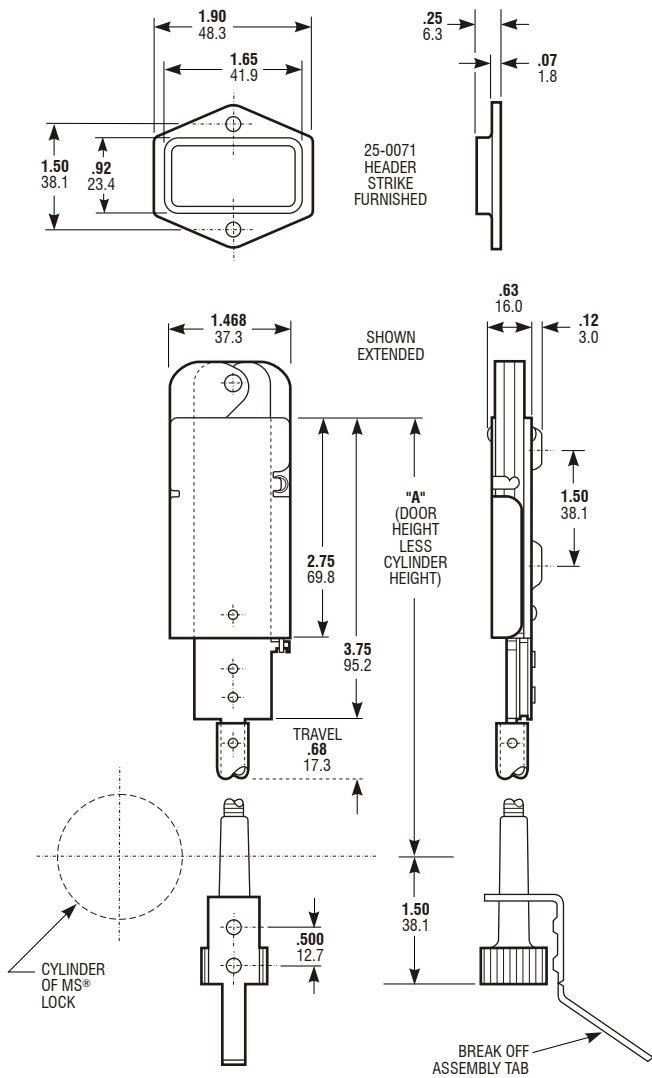
360° turn of key or thumbturn in basic MS® lock throws counterbalanced bolt into opposite door, kicking positioner bolt into header strike. (Positioner bolt may be manually thrown before closing active leaf to reduce effort on key-bow.) Key can be removed only when bolts are in a positively locked or unlocked position.



# 4085 Header Bolt

## DIMENSIONS

**INCHES**  
MILLIMETERS  
Nominal, subject to tolerance extremes.



## HOW TO ORDER

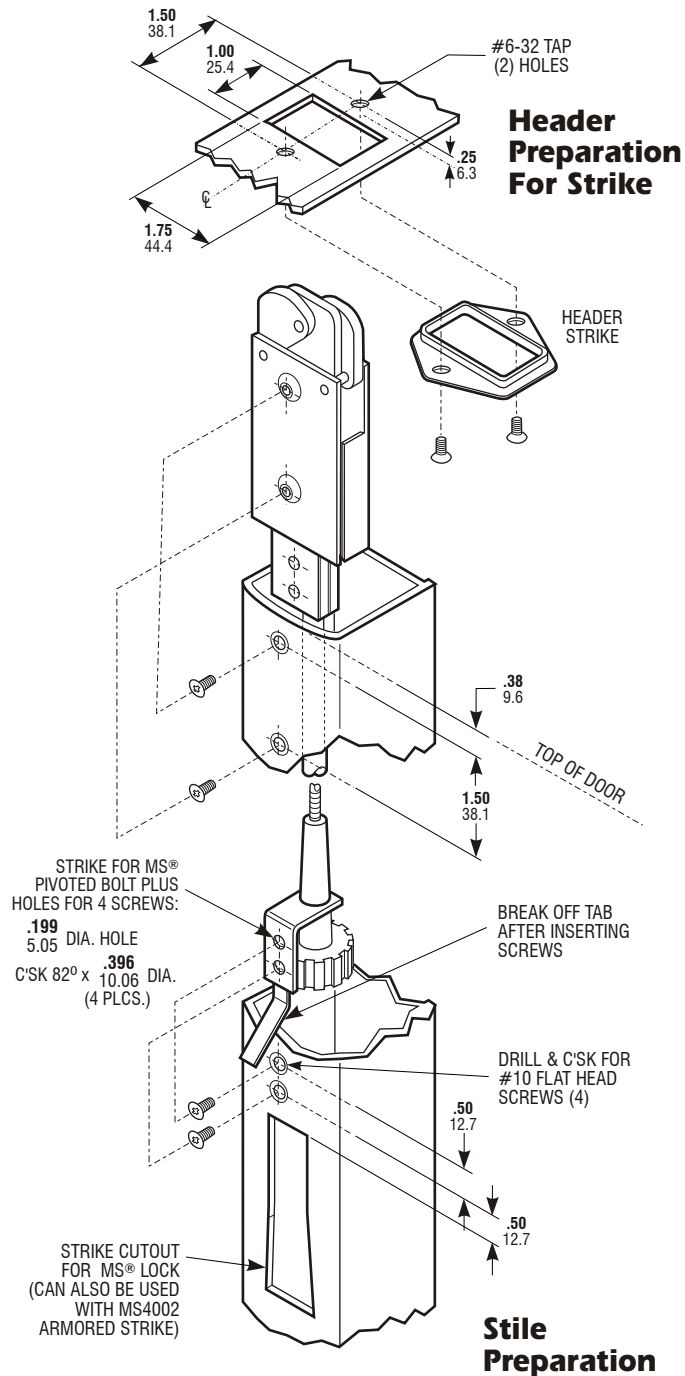
Specify quantity and the following information.  
Order related hardware separately.

**Cylinder Height**  
Distance from floor  
to cylinder centerline

**Door Height**  
Distance from floor  
to top of door

**4085 - 42" - 82"**

## INSTALLATION



## OPTIONS

Specify both cylinder height and door height when ordering.  
Order 4015 Threshold Bolt separately (page SW-10).

## STANDARD PACKAGE

Packed separately with rod guide, screws and header strike.  
Shipping weight: 1 lb.