

**SERIES**            900RW Thermal Ribbon Window  
                          2" x 4-1/2"    single thermal barrier, captured

**TEST RESULTS**

<b>GLASS MAKEUP</b>	<b>STC</b>	<b>OITC</b>
1" IGU: 1/4" PPG Solar Ban 70XL #2, 1/2" 90% argon, TRISEAL spacer, 1/4" Clear	<b>31</b>	<b>25</b>
1 -1/16" IGU: 1/4" PPG Solar Ban 70XL #2, 1/2" 90% argon, TRISEAL spacer, 5/16" Clear	<b>36</b>	<b>31</b>
1 -1/16" IGU - laminated: 1/4" PPG Solar Ban 70XL #2, 7/16" 90% argon, aluminum spacer, 3/16" - 0.030 PVB – 3/16"	<b>36</b>	<b>31</b>
Unit Size : 78-1/2" x 79-1/4" (glazed wall)		

**TEST LAB**

**INTERTEK - ATI**  
 130 Derry Court  
 York, PA 17406

Report Number	#F5139.01-113-11
Test Date	02/04/16
Report Date	02/17/16

Reference above report for complete test specimen description and data.

Tubelite Representative:  (sign) 9/11/19 (date)  
 \_\_\_\_\_  
 Tim Fookes - Vice President Engineering (title)

## TEST METHODS

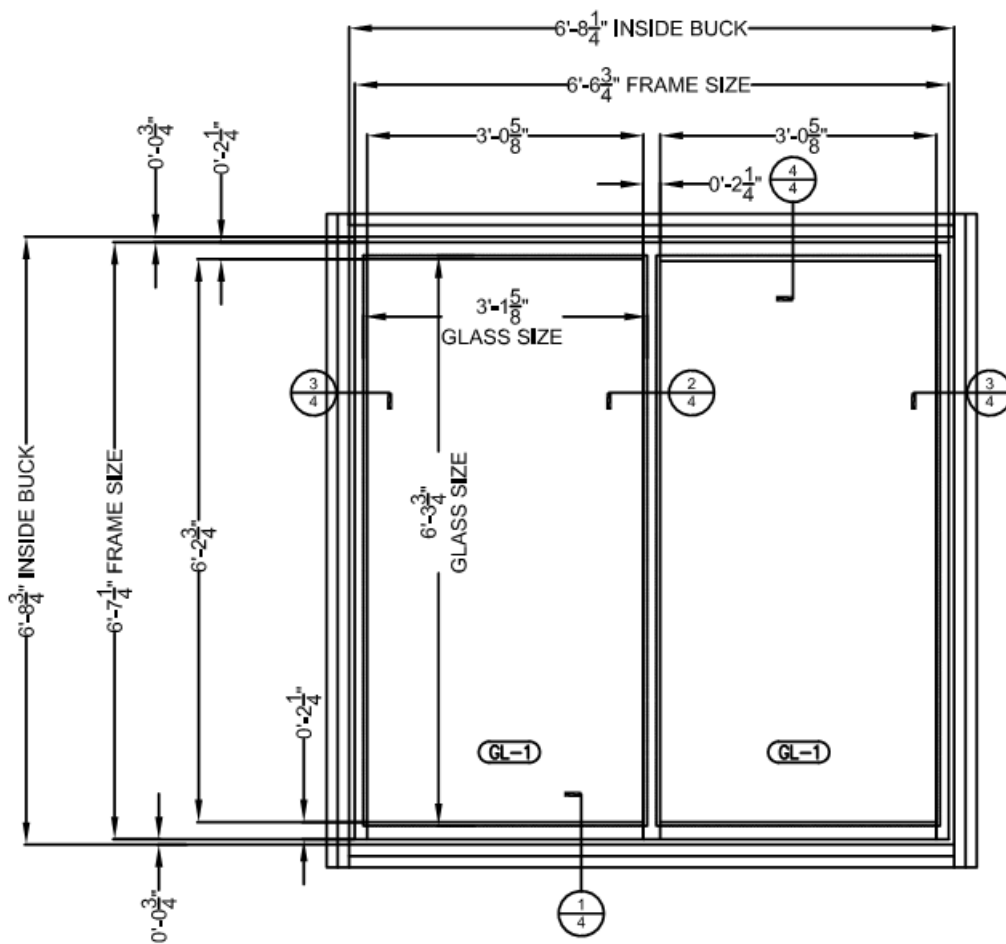
**ASTM E90-09:** *Standard Test Method for Laboratory Measurement of Airborne Sound Transmission Loss of Building Partitions and Elements.*

**ASTM E413-10:** *Classification for Rating Sound Insulation*

**ASTM E1332-10a:** *Standard Classification for Rating Outdoor-Indoor Sound Attenuation.*

**ASTM E2235-04 (2012):** *Standard Test Method for Determination of Decay Rates for Use in Sound Insulation Test Methods.*

## TEST SPECIMEN



Reference report #F5139.01-113-11, dated 02/17/16, for complete test specimen description and data. Contact a Tubelite representative for more information.