

3600 Series

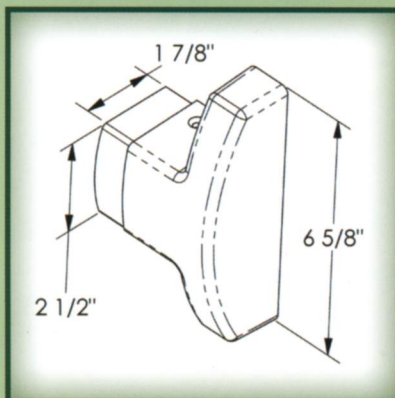
Concealed Vertical Rod Exit Device

Sleek and attractive, the 3600 is ANSI Grade 1 (500,000 cycles) and UL listed. With durable anodized finishes and high performance coatings on solid metal end caps, these devices are made for tough, high traffic conditions.

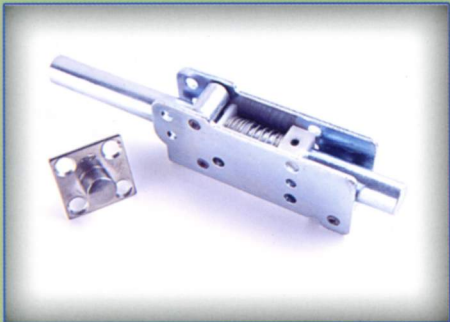
The slim, compact design enables mounting on narrow stile doors up to 4 feet wide and 9 feet tall.

Series 3600 Concealed Vertical Rod Device Specification

Exit Device shall be First Choice Building Products series 3600 Concealed Vertical Rod Narrow Stile model utilizing a low profile touch bar projecting less than three inches (3") from the face of the door. The device shall use 3/8" steel vertical rods operating hardened steel latch bolts with the top latch engaging a stainless steel, top jamb mounted strike with rotational adjustment for proper door alignment. The bottom latch will be spring powered to ensure engagement with the threshold. The device shall be active the full length between door stiles and mount to the door using metal covers and end caps and require no more than 2" width of door stile. The device push bar and base shall be 6063, T-6 hardened aluminum in anodized finishes. The device shall be capable of operation by external key cylinder with Night Latch or Hold Back settings. The device shall be capable of disengagement by single point, quarter turn dogging.



3600 Series Concealed Vertical Rod Exit Device Accessories



Marked with a directional arrow, the stainless steel top strike can be rotated to insure a tight fit between door and frame.

The 1/2" projection of the steel bottom latch provides maximum engagement with the threshold for solid security.



For secure access from the outside be sure to include the CVR Cylinder Kit designed for standard rim cylinders.

For access convenience, the simple rack and pinion design can be set for Night Latch (always locked when key is removed) or Hold Back (can be left unlatched after key is removed).

Product Warranty

First Choice warrants that products manufactured by us will be free of defects in material and workmanship for a period of two years from date of invoice. The Purchaser shall be obligated to promptly report any failure of conformance with this warranty, in writing, to First Choice within the warranty period whereupon First Choice shall, at its option, correct such non-conformity, by repair or replacement, provided the Purchaser has installed, maintained and operated such product in accordance with good industry practices and has complied with the recommendations of First Choice. First Choice shall not be liable for any repairs, replacements, or adjustments to the product or any costs of labor performed by the Purchaser or others without First Choice's prior written approval.



Your Answer for Exit Alarm Requirements

The AL36 Series alarm kits are designed to fit inside the push bars of the Model 3600 CVR exit device. The mechanism is designed for the rigorous requirements of exit hardware.

Powerful dual alarms emit a piercing notification of unauthorized egress to protect persons and property. Automatic resetting means the door will remain protected at all times.

The sophisticated circuitry of the AL36 provides up to 18 months of standby power or 500 alarm cycles from a standard 9v battery. Battery monitoring is constant and a low charge signal is provided to make it easy to maintain.



Interior Cylinder Dogging

The CD36 cylinder dogging function is available for the model 3600 CVR exit device and eliminates the need for special hex keys to put the device into hold open mode.

The CD36 accepts standard Rim Type key cylinders which can be changed in the field. Just a quarter turn by key and the exit device is dogged open for unrestricted access.

Cylinders and collars are available for both clear and bronze finishes.



Series 300 Security Mullions

The ultimate security partner for 3600 CVR devices, these removable mullions are made from steel-reinforced aluminum. A simple removal system for easy in, easy out convenience and matching anodized finishes make them the right choice for pair-of-doors applications.

Series L3 Levers

Utilizing a unique gear system these levers will operate with 3600 CVR exit device.

Manual levers can be set for both Hold Back or Night Latch. All levers are designed for most common mortise cylinders. A security collar is included.

The electric levers are low voltage and can be operated by remote devices such as card readers, code key devices and remote mounted switches. Power requirements are 24v DC with easy hook up at the lever.

The Stainless steel finish compliments all door finishes and the slim profile makes these levers suitable for narrow stile doors.



3700 Series

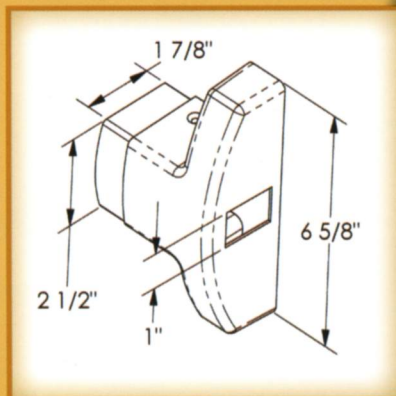
Rim Latching Exit Device

Packaging powerful security into a compact size, the 3700 can be mounted on doors with stiles as narrow as 2" and includes a 1" forged steel latch bolt. Non-handed and available for doors up to 4 feet, the 3700 is a convenient solution for demanding, busy traffic conditions.

These durable devices are ANSI Grade I (500,000 cycles) and UL Listed. Striking anodized finishes are accented with high performance coatings on solid metal end clips.

Series 3700 Rim Latching Exit Device Specification

Exit Device shall be First Choice Building Products series 3700 Rim Latching Narrow Stile model utilizing a low profile touch bar projecting less than three inches (3") from the face of the door. The device shall use 1" hardened steel latch bolt engaging a frame mounted stainless steel roller strike. The device shall be active the full length between door stiles and mount to the door using metal covers and end caps and require no more than 2" width of door stile. The device push bar and base shall be 6063, T-6 hardened aluminum in anodized finishes. The device shall be capable of operation by external key cylinder with Night Latch or Hold Back settings. The device shall be capable of disengagement by single point, quarter turn dogging.



3700 Series Rim Latching Exit Device Accessories



For secure access, the simple cam-drive Rim Cylinder Kit available in Night Latch (always locked when key is removed) or Hold Back (can be left unlatched after key is removed).



Easily mounted, the heavy duty rim strike kit includes a precision cast spacer for a variety of frame stop configurations.

Product Warranty

First Choice warrants that products manufactured by us will be free of defects in material and workmanship for a period of two years from date of invoice. The Purchaser shall be obligated to promptly report any failure of conformance with this warranty, in writing, to First Choice within the warranty period whereupon First Choice shall, at its option, correct such non-conformity, by repair or replacement, provided the Purchaser has installed, maintained and operated such product in accordance with good industry practices and has complied with the recommendations of First Choice. First Choice shall not be liable for any repairs, replacements, or adjustments to the product or any costs of labor performed by the Purchaser or others without First Choice's prior written approval.



Your Answer for Exit Alarm Requirements

The AL37 Series alarm kits are designed to fit inside the push bars of the 3700 Rim exit device. The mechanism is designed for the rigorous requirements of exit hardware.

Powerful dual alarms emit a piercing notification of unauthorized egress to protect persons and property. Automatic resetting means the door will remain protected at all times.

The sophisticated circuitry of the AL37 provides up to 18 months of standby power or 500 alarm cycles from a standard 9v battery. Battery monitoring is constant and a low charge signal is provided to make it easy to maintain.



Interior Cylinder Dogging

The CD37 cylinder dogging function is available for 3700 Rim exit devices and eliminates the need for special hex keys to put the device into hold open mode.

The CD37 accepts standard Rim Type key cylinders which can be changed in the field. Just a quarter turn by key and the exit device is dogged open for unrestricted access.

Cylinders and collars are available for both clear and bronze finishes.



Series 300 Security Mullions

The ultimate security partner for the 3700 Rim devices, these removable mullions are made from steel-reinforced aluminum. A simple removal system for easy in, easy out convenience and matching anodized finishes make them the right choice for pair-of-doors applications.

Easily cut for a perfect field fit, these mullions come with heavy duty strikes and are available in sizes up to 9 feet.

Series L3 Levers

Utilizing a unique gear system these levers will operate with the 3700 Rim device.

Manual levers can be set for both Hold Back or Night Latch. All levers are designed for most common mortise cylinders. A security collar is included.

The electric levers are low voltage and can be operated by remote devices such as card readers, code key devices and remote mounted switches. Power requirements are 24v DC with easy hook up at the lever.

The Stainless Steel finish compliments all door finishes and the slim profile makes these levers suitable for narrow stile doors.



Recessed Mounted 3100

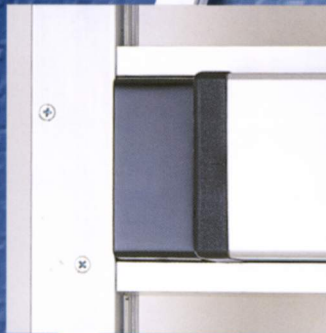
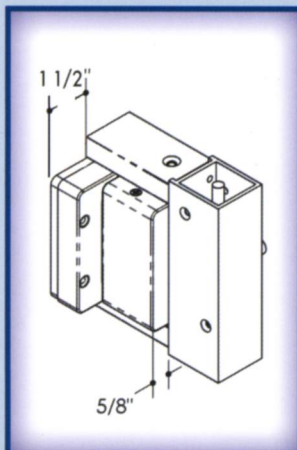
Available for doors widths from 30" to 48", narrow through wide stile and in standard anodized finishes.

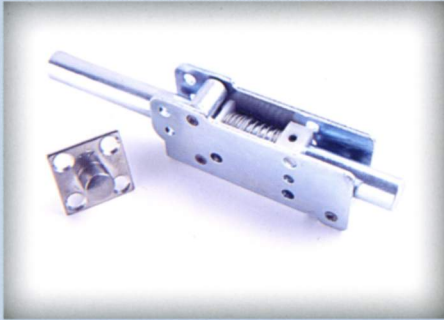
The sleek 4 1/2" high push bar projects a slim 1 1/2" from the door face and conceals a rugged duty ANSI Grade 1 (500,000 cycle) operating mechanism.

UL listed and available with cast aluminum exterior trim field settable for Night Latch and Hold Back functions, these devices are accented with metal end caps in a durable black finish.

Series 3100 CVR Device Specification

Exit Device shall be First Choice Building Products series 3100 Concealed Vertical Rod Narrow Stile model utilizing a low profile touch bar projecting less than one and one half inches (1-1/2") from the face of the door. The device shall use 3/8" steel vertical rods operating hardened steel latch bolts with the top latch engaging a stainless steel, top jamb mounted strike with rotational adjustment for proper door alignment. The bottom latch will be spring powered to ensure engagement with the threshold. The device push bar and base shall be 6063, T-6 hardened aluminum in anodized finishes. The device shall be capable of operation by external key cylinder with Night Latch or Hold Back settings. The device shall be capable of disengagement by single point, quarter turn dogging.





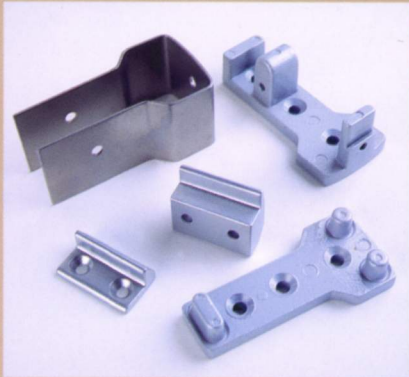
Marked with a directional arrow, the stainless steel top strike rotates to provide a proper fit against frame variations.

The spring loaded steel bottom latch provides assured engagement.

Product Warranty

First Choice warrants that products manufactured by us will be free of defects in material and workmanship for a period of two years from date of invoice. The *Purchaser* shall be obligated to promptly report any failure of conformance with this warranty, in writing, to **First Choice** within the warranty period whereupon **First Choice** shall, at its option, correct such non-conformity, by repair or replacement, provided the *Purchaser* has installed, maintained and operated such product in accordance with good industry practices and has complied with the recommendations of **First Choice**. **First Choice** shall not be liable for any repairs, replacements, or adjustments to the product or any costs of labor performed by the *Purchaser* or others without **First Choice's** prior written approval.





Cast aluminum brackets mount easily and allow simple removal of the mullion for full use of the opening.

Series 300 Security Mullions

The ultimate security partner for both 3700 Rim and 3600 Vertical Rod devices, these removable mullions are made from steel-reinforced aluminum. A simple removal system for easy in, easy out convenience and matching anodized finishes make them the right choice for pair-of-doors applications.

Easily cut for a perfect field fit, these mullions come with heavy duty strikes and are available in sizes up to 9 feet.

Color matched security clips provide an added level of security overcoming the natural twisting of the door stile under pressure.

