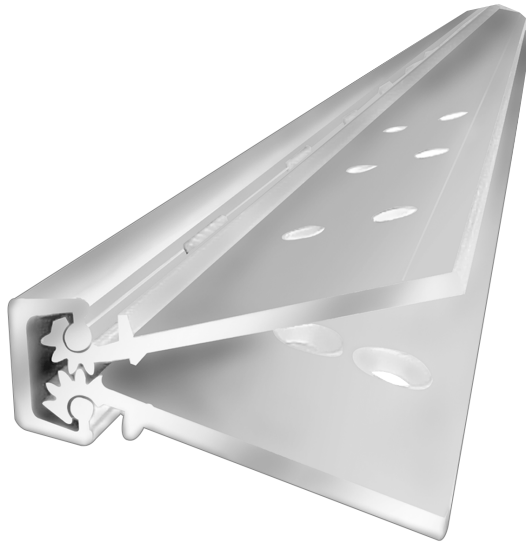
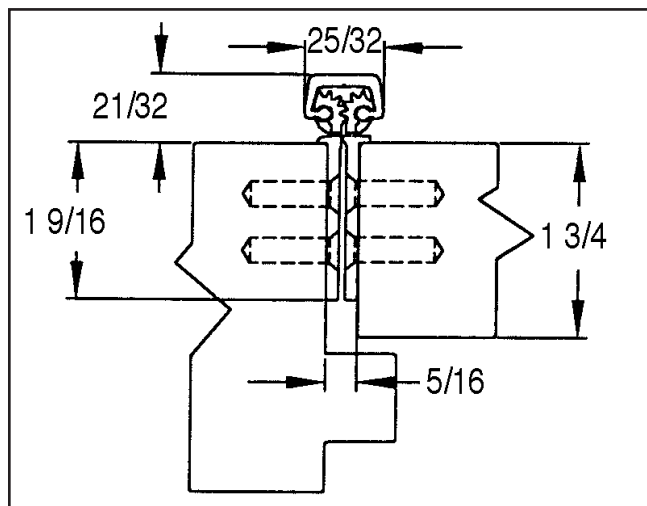


A110HD/A110LL



- Concealed
- For new construction
- For renovation with new doors and/or frames
- No mortising of doors or frames required
- Will cover butt hinge cutouts in old frames
- Flush Mount, no inset
- For doors up to 450 lbs.
- LL for doors up to 1000 lbs.
- 83" can be field cut to 79" without cutting thru a bearing or mounting holes



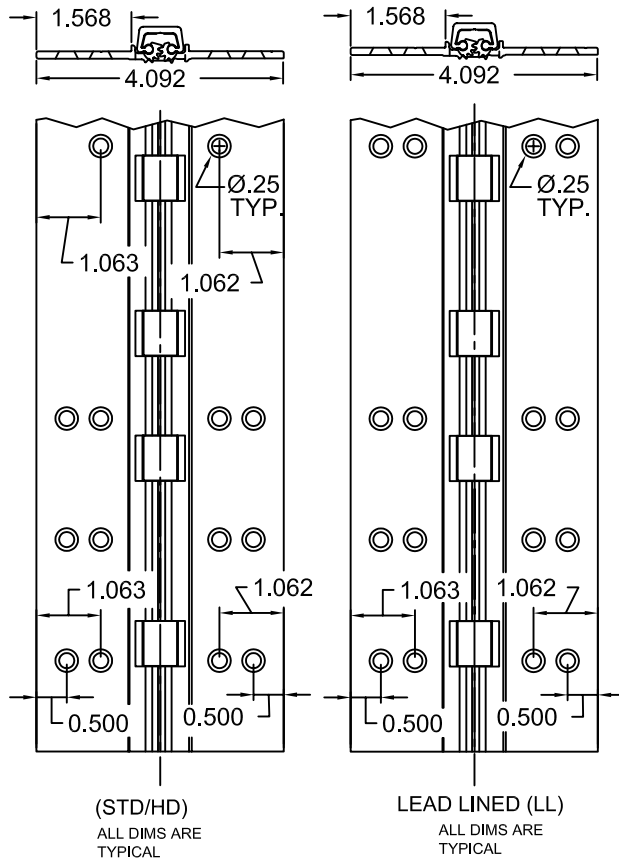
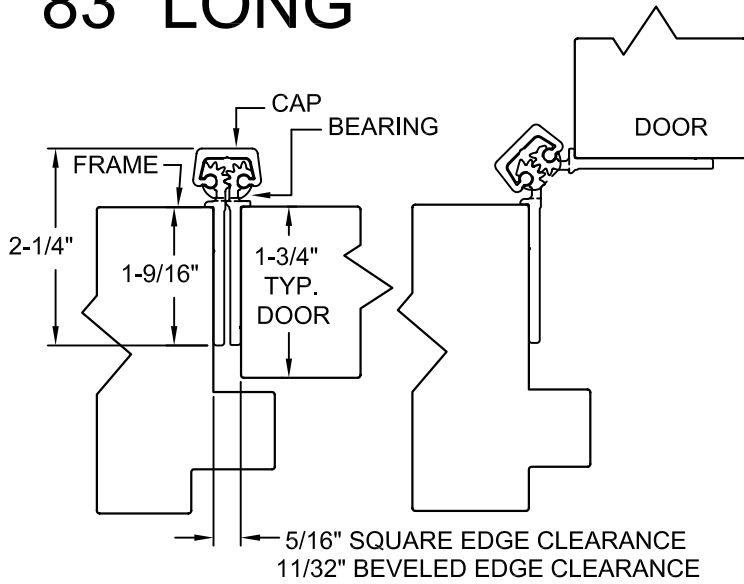
www.abhmfg.com
E-mail: abhinfo@abhmfg.com
Architectural Builders Hardware Mfg., Inc.
1222 Ardmore Ave., Itasca, IL 60143
630.875.9900; FAX 800.9FAXABH (932.9224)

© 2007 ABH Mfg., Inc.

ABH[®]

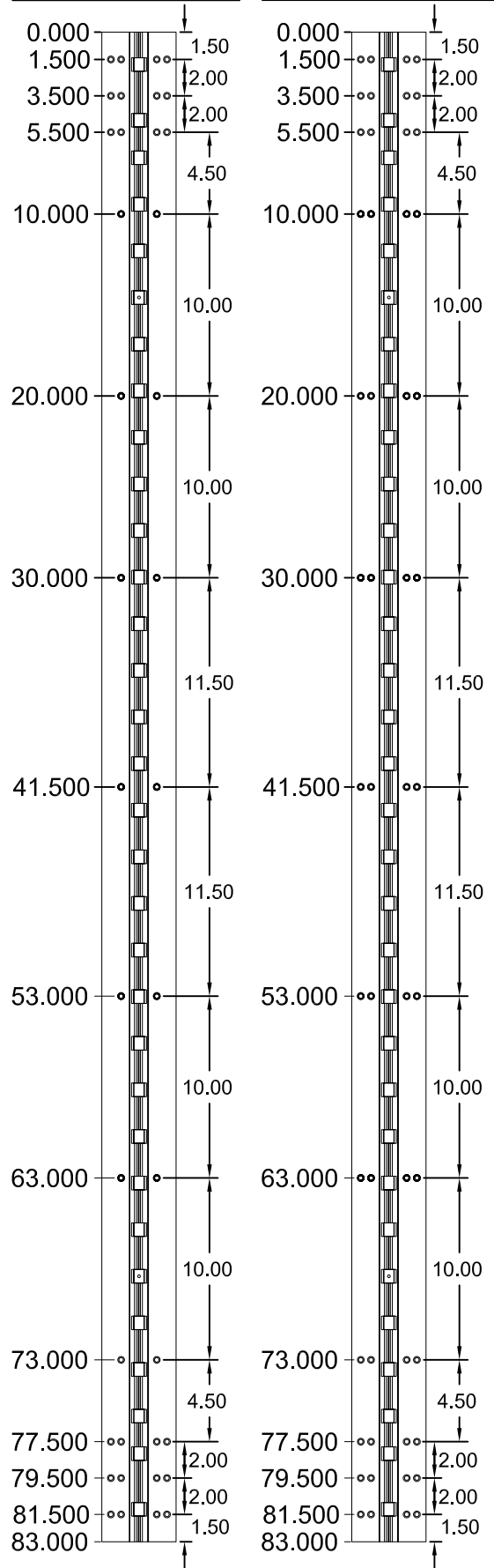
A110HD83/A110LL83

83" LONG



SCREW DETAIL			
	MODEL		DESCRIPTION
	STD/HD QTY.	LL QTY.	
FRAME	19	26	12-24 X 11/16" PH. F.H. UNDERCUT SELF DRILLING THREAD FORMING TEK SCREW
DOOR	19	26	12-24 X 11/16" PH. F.H. UNDERCUT SELF DRILLING THREAD FORMING TEK SCREW

A110HD83-STD/HD A110LL83-LEAD LINED



ALL DIMENSIONS ARE TO CENTERLINE OF HOLES



www.abhmf.com
 E-mail: abhinfo@abhmf.com
 Architectural Builders Hardware Mfg., Inc.
 1222 Ardmore Ave., Itasca, IL 60143
 630.875.9900; FAX 800.9FAXABH (932.9224)

© 2006 ABH Mfg., Inc.
 printed in USA

A110-83-02.DWG

A110-83

REVISED 10-19-06