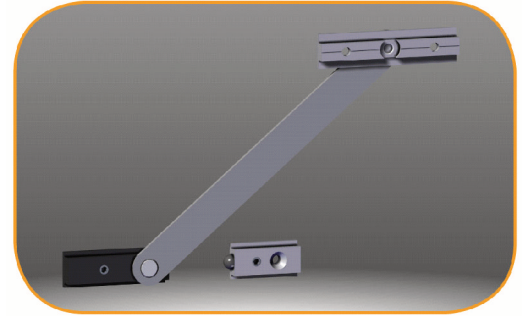
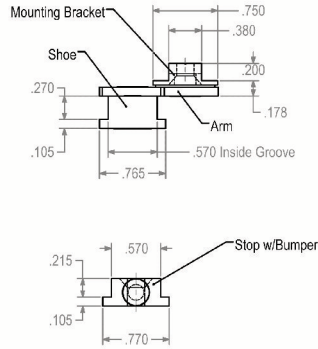
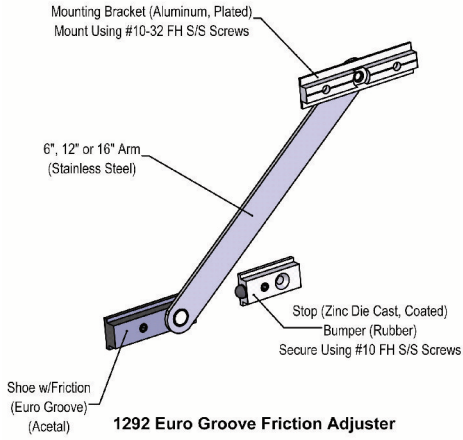


# 1292 Friction Adjuster



## Product Specifications

|                                     |   |
|-------------------------------------|---|
| <b>WINDOW TYPE</b>                  | Euro Groove   |
| <b>MOUNTING TYPE</b>                | Vent  |
| <b>THICKNESS</b>                    | 0.450" Min Between Euro Grooves                         |
| <b>MATERIAL TYPE</b>                | Stainless Steel, Acetal Shoe, Aluminum Mounting Bracket |
| <b>LIMIT DEVICE TYPE</b>            | Separately Mounted Non Releasable                       |
| <b>LIMIT DEVICE SIZES</b>           | See Outline Drawing for Sizes                           |
| <b>INSIDE SHOE GROOVE DIMENSION</b> | 0.570"  |
| <b>ARM LENGTH</b>                   | 6", 12", 16"  |