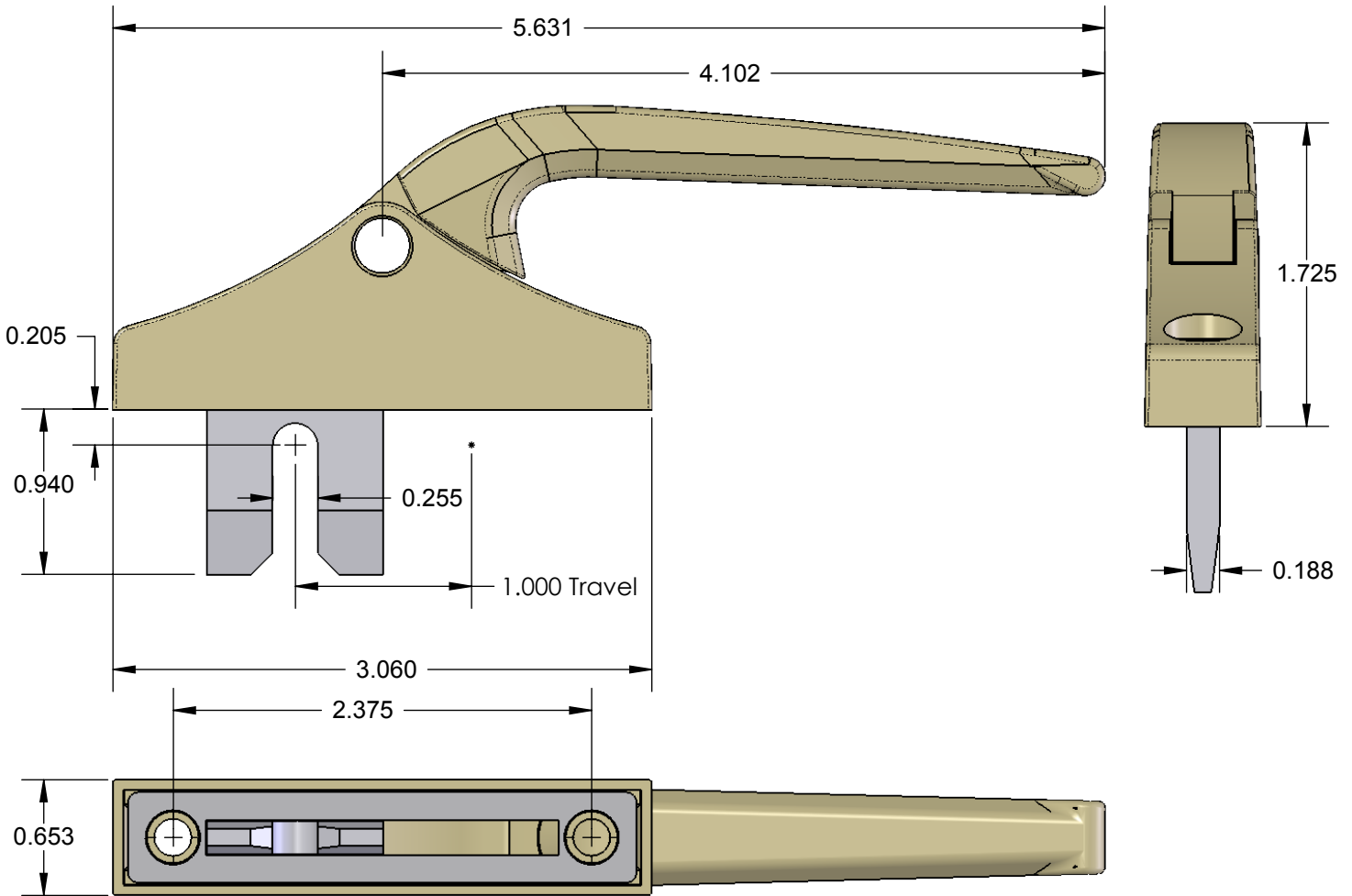
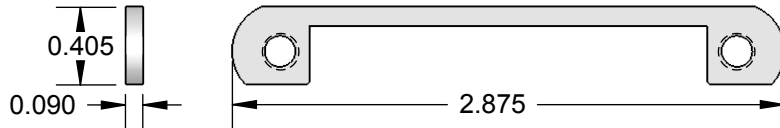


8200 Linear Handle (Fork Drive)



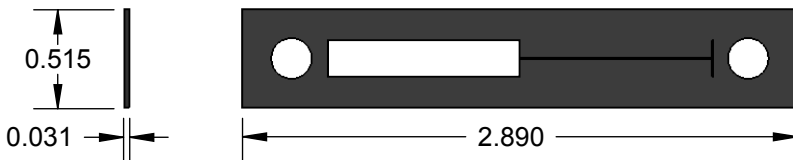
(When mounting thru material .125" or thicker, use (2) #10 x 3/4" SS Flat or Oval head screws of your choice)

AMC #8200 Linear Handle, scale 1:1



#8221 BACKER PLATE

(Use when mounting thru material less than .125" thick. (2) #10-32 x 3/4" SS Flat or Oval head screws required)



#8205 Gasket

LINEAR HANDLE	
PART NUMBER	FINISH
8200R-BLK	BLACK POWDERCOAT
8200R-WT	WHITE POWDERCOAT
8200R-SN	SATIN NICKEL
8200R-SC	SATIN CHROME