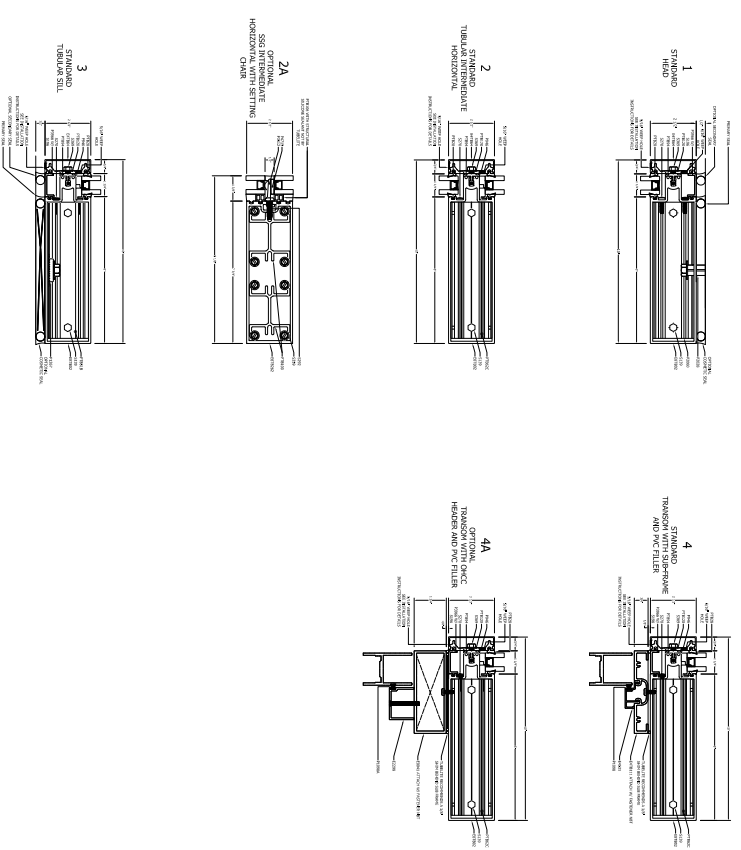


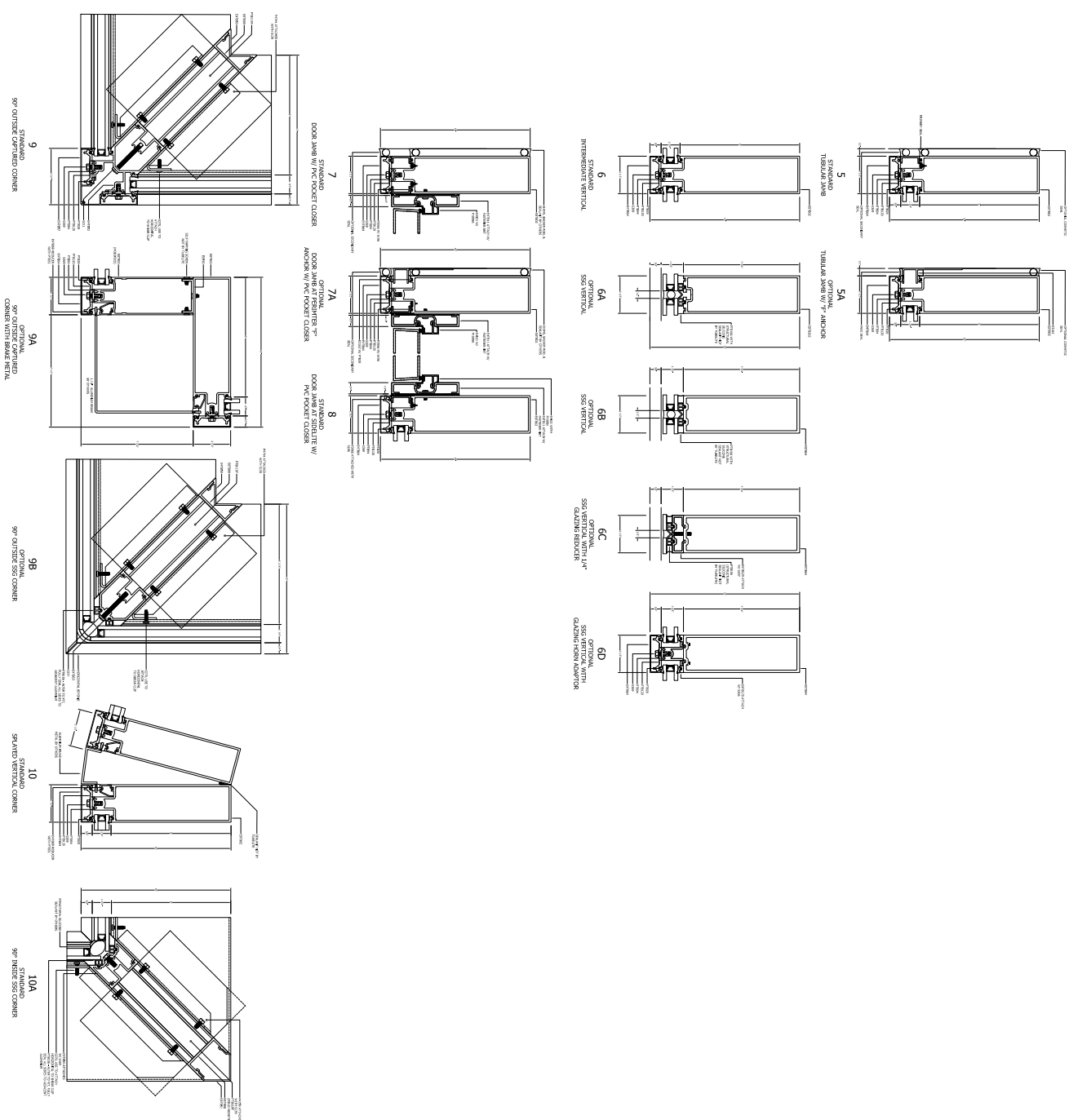
TYPICAL ELEVATION

400 SERIES CURTAINWALL PERIMETER SHEET, 8" BACK MEMBER

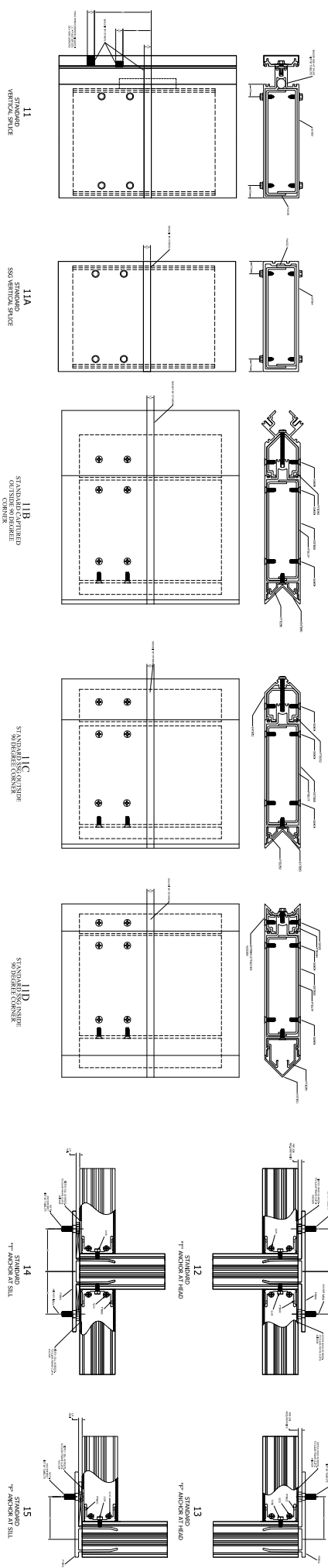


HORIZONTAL DETAILS

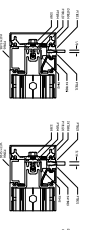
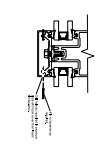
VERTICAL DETAILS



SPLICE AND ANCHOR DETAILS



FACE COVER PINNING



GLAZING INFILL OPTIONS

NOTE: TYPICAL GLASS BITE 1/2" FROM DDO UNLESS NOTED AT DETAIL.

GLASS SHOWN DOES NOT NECESSARILY REPRESENT FINAL CONFIGURATION. CONSULT GLASS MANUFACTURER FOR SPECIFIC GLASS MAKE UP.