

Standard Narrow Stile Entrances

Our Standard Narrow Stile Entrances are designed for light-to-moderate use in commercial applications. Standard Narrow Stile has 2-1/8" vertical stiles and top rail, and 4" bottom rail – optional up to 10" for ADA compliance. The smooth design of Tubelite's door hardware features a convenient pull handle and push bar with lock location 36" above the finished floor. Stock doors and frames are anodized with clear or dark bronze finishes, and readily available for quick delivery.

Durable Tie-Rod Construction

The strength and flexibility of steel tie-rod construction is what holds it all together and makes our doors endure. Tie-rod assembly is as durable as welded corner construction, but superior in many ways. Tubelite doors can be modified, disassembled or resized right in the field. No other door offers you this much strength and flexibility.



**400 Series
Curtainwall**

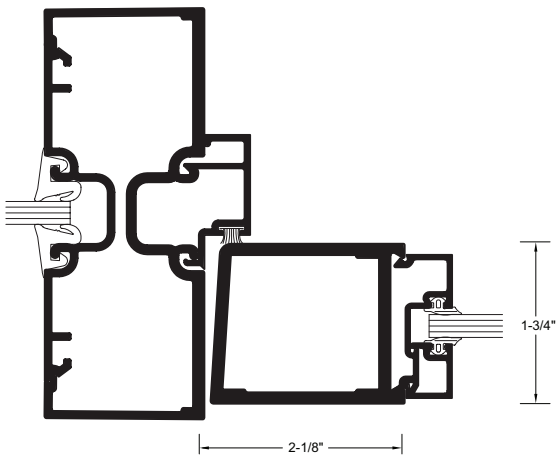
**ALSO
USED
WITH**

**14000 Series
Storefront**

TUBELITE®
DEPENDABLE

LEADERS IN ECO-EFFICIENT STOREFRONT,
CURTAINWALL AND ENTRANCE SYSTEMS

Standard Narrow Stile Entrances



System Features:

- Standard 2-1/8" (53.975Mm) sight line on verticals and top rail
- Deadbolt lock
- 1" dia. push bar and offset pull handle
- Standard infill options 1" (25.4mm), and 1/4" (6.35mm), other infills available
- 3'0" and 3'6" width single doors, 6"0" width pairs of doors
- 7'0" height door leaves

Optional Features:

- 4" (101.6mm) and 10" (254mm) bottom rails
- Mortised butt hinges, offset pivots, continuous hinges, center pivots
- Latch locks, cvr & rim panics, electric strikes
- Hardware by others
- 1-3/4" or 2" x 4-1/2" sight line frame member
- Intermediate horizontal or vertical mid-rails
- 7 anodized and 19 painted standard finishes
- Custom height and width doors

Note: Dimensions do not include 1/2" glass stops.

Standard Entrance Series	Narrow Stile
Traffic	Light to Moderate
Vertical Stile 1-3/4" x	2-1/8"
Top Rail 1-3/4" x	2-1/8"
Bottom Rail 1-3/4" x	4" (opt. up to 10")

Standard Narrow Series Product Specifications

Application: Offices, Shopping Plazas

Description: 2-1/8" vertical stiles and top rail, and 4" bottom rail – optional up to 10" for ADA compliance

Glass:	Air Infiltration:	Structural:	U-Factor** Single Door:	U-Factor** Double Door:
1" std (1/8" – 1")	1.0 CFM / Ft.2 @ 1.57 PSF	30 PSF – Design 45 PSF – Overload	Narrow: 0.64	Narrow: 0.59

** U-Factor per NFRC 100. Refer to the U-Value table at: www.tubeliteinc.com/products/entrances/standard-narrow/

DISCLAIMER: Tubelite takes no responsibility for product selection or application, including, but not limited to, compliance with building codes, safety codes, laws, merchantability or fitness for a particular purpose; and further disclaims all liability for the use, in whole or in part, of this Technical Guide in preparation of project specifications and/or other documents. Technical Guides are subject to change at any time, without notice, and at Tubelite's sole discretion. ©2017 Tubelite Inc.

030120

TUBELITE[®]
DEPENDABLE

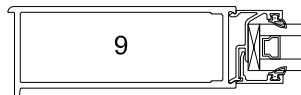
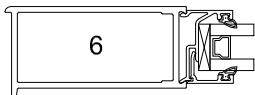
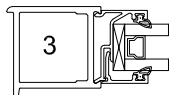
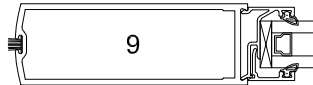
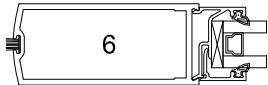
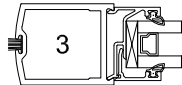
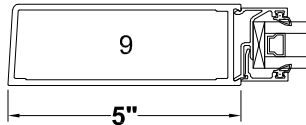
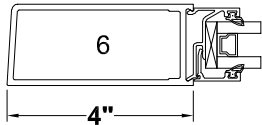
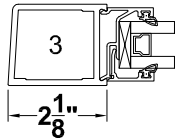
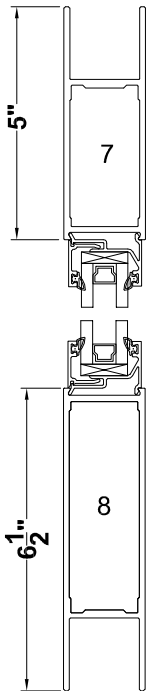
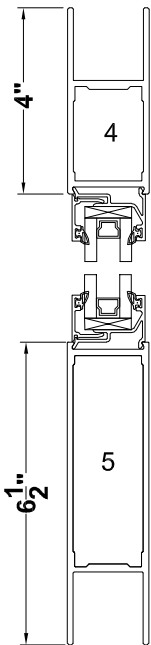
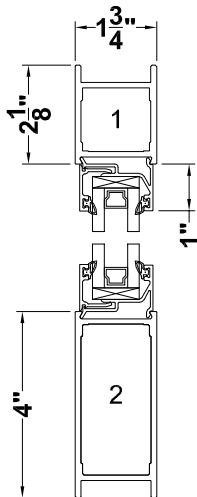
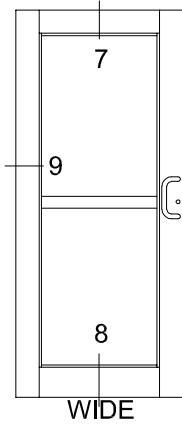
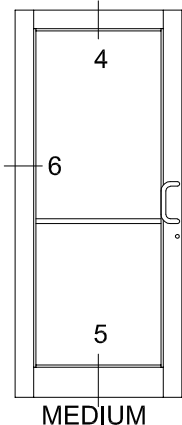
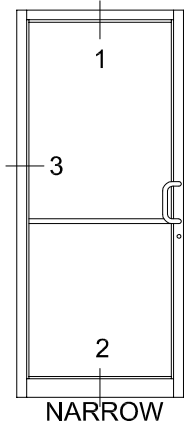
LEADERS IN ECO-EFFICIENT STOREFRONT,
CURTAINWALL AND ENTRANCE SYSTEMS

STANDARD ENTRANCES

Tubelite reserves the right to change system configuration without prior notice when deemed necessary for product improvements.

Laws and building & safety codes governing the design and use of glazed entrance, window and curtain wall systems vary widely. Tubelite does not control the selection of product configurations, operating hardware or glazing materials, and assumes no responsibility thereof.

Standard Details 1/4 scale



TUBELITE®
DEPENDABLE
LEADERS IN ECO-EFFICIENT STOREFRONT,
CURTAINWALL AND ENTRANCE SYSTEMS

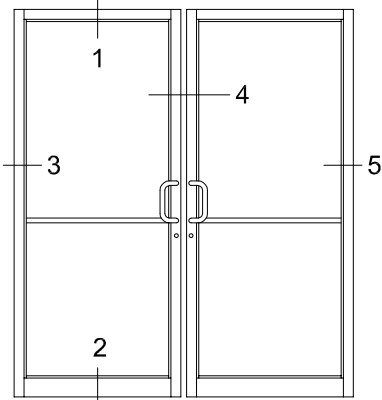
FEBRUARY 2020

For specific product applications, contact your Tubelite representative.
Details on this page represent standard details found on our website.
For more options, visit our website at
www.tubeliteinc.com/narrow-stile-and-standard-stile/

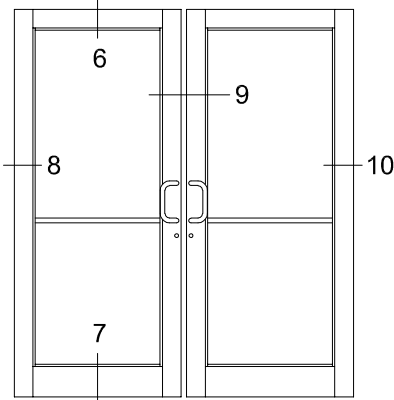
STANDARD ENTRANCES

Tubelite reserves the right to change system configuration without prior notice when deemed necessary for product improvements.

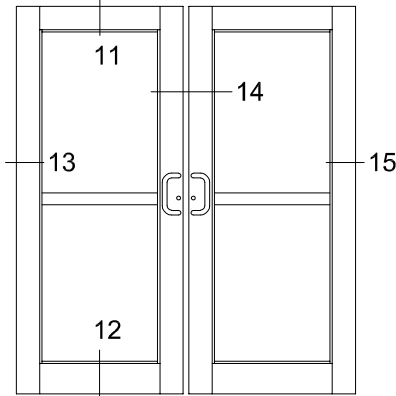
Laws and building & safety codes governing the design and use of glazed entrance, window and curtain wall systems vary widely. Tubelite does not control the selection of product configurations, operating hardware or glazing materials, and assumes no responsibility thereof.



NARROW



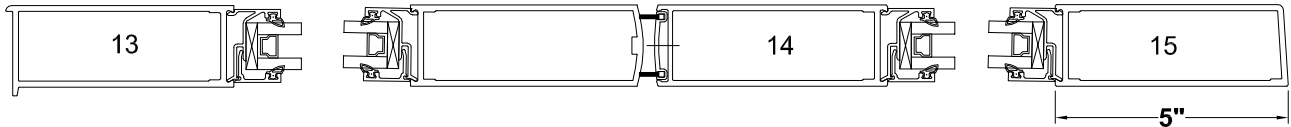
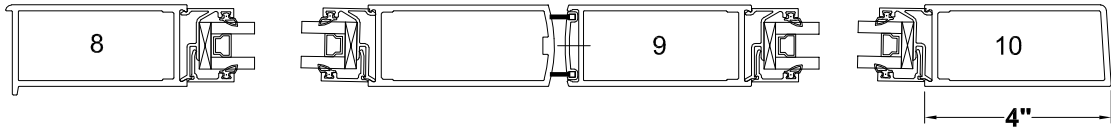
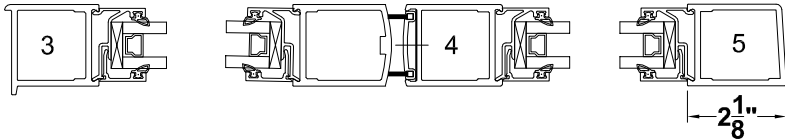
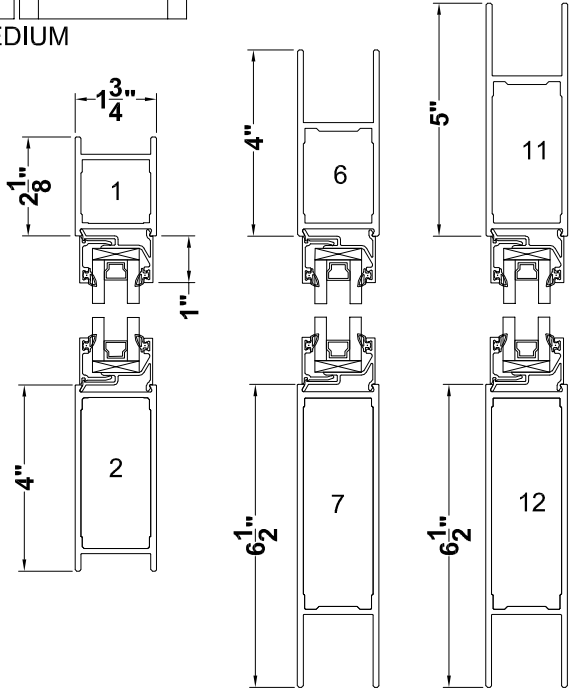
MEDIUM



WIDE

REFER TO GLAZING AND DOOR STOP SECTION FOR GLASS STOP OPTIONS

Standard Details
1/4 scale



TUBELITE[®]
DEPENDABLE
LEADERS IN ECO-EFFICIENT STOREFRONT,
CURTAINWALL AND ENTRANCE SYSTEMS

FEBRUARY 2020

For specific product applications, contact your Tubelite representative.
 Details on this page represent standard details found on our website.
 For more options, visit our website at
www.tubeliteinc.com/narrow-stile-and-standard-stile/

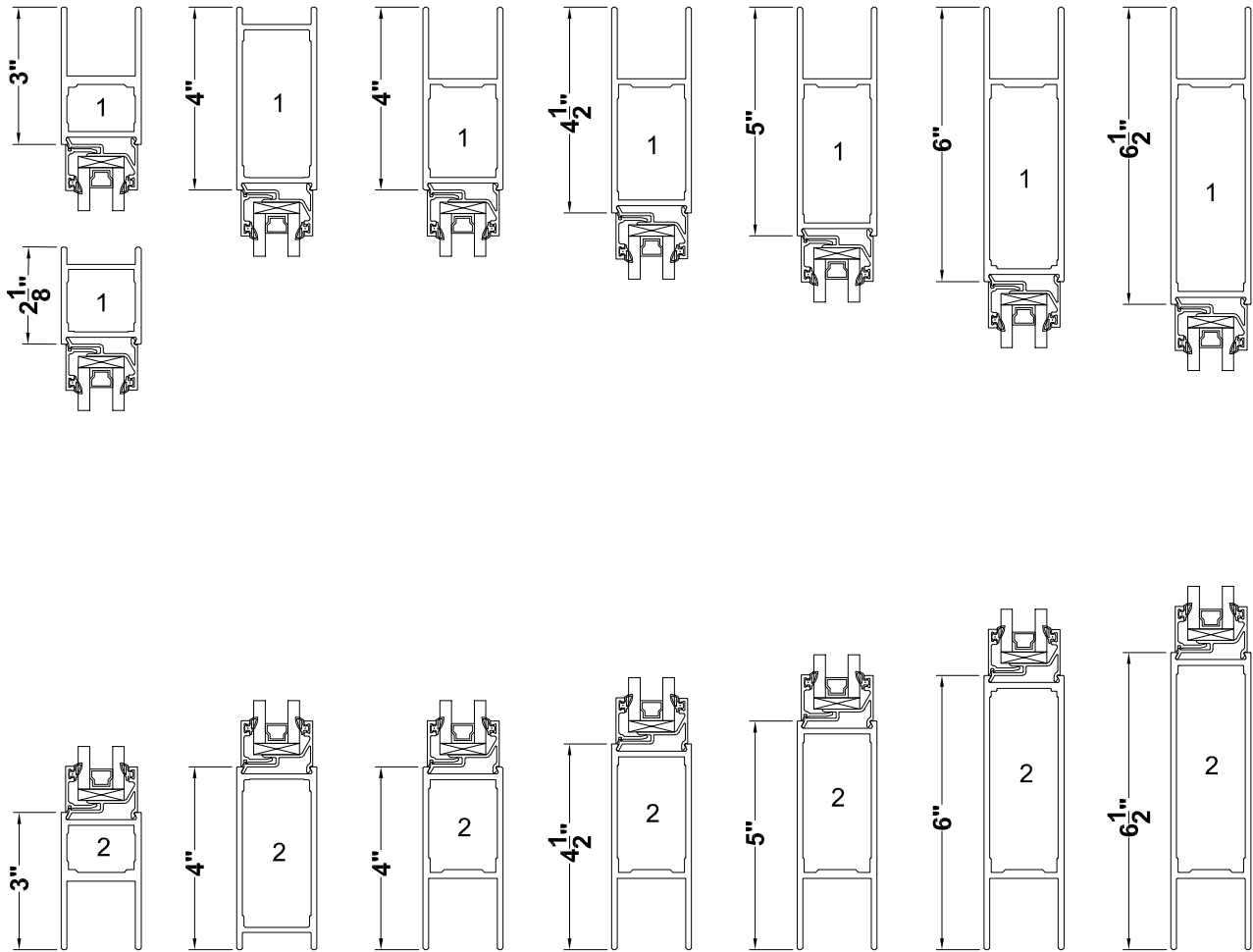
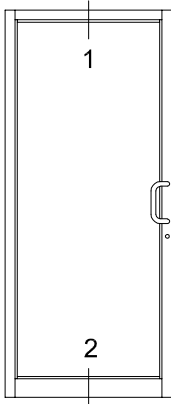
STANDARD ENTRANCES

Tubelite reserves the right to change system configuration without prior notice when deemed necessary for product improvements.

Laws and building & safety codes governing the design and use of glazed entrance, window and curtain wall systems vary widely. Tubelite does not control the selection of product configurations, operating hardware or glazing materials, and assumes no responsibility thereof.

Standard Rails 1/4 scale

REFER TO GLAZING AND DOOR STOP SECTION FOR GLASS STOP OPTIONS



FEBRUARY 2020

For specific product applications, contact your Tubelite representative.
 Details on this page represent standard details found on our website.
 For more options, visit our website at
www.tubeliteinc.com/narrow-stile-and-standard-stile/

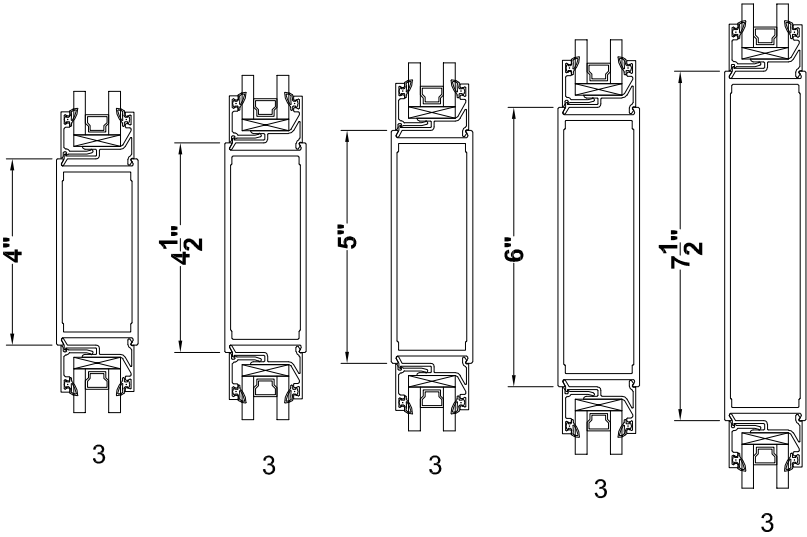
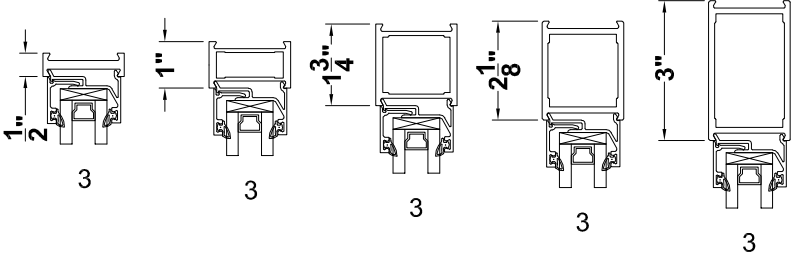
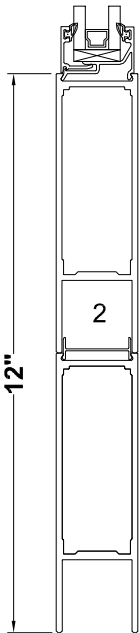
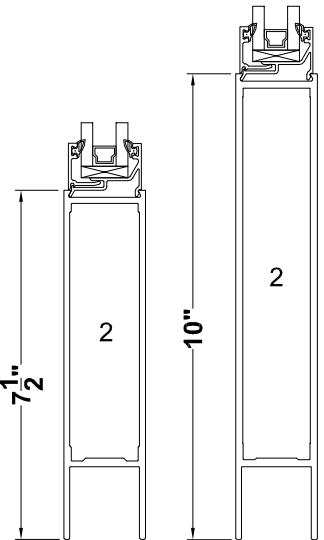
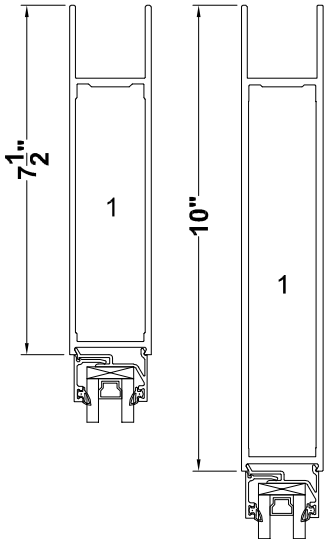
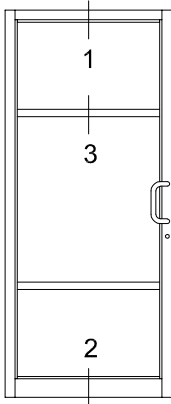
STANDARD ENTRANCES

Tubelite reserves the right to change system configuration without prior notice when deemed necessary for product improvements.

Laws and building & safety codes governing the design and use of glazed entrance, window and curtain wall systems vary widely. Tubelite does not control the selection of product configurations, operating hardware or glazing materials, and assumes no responsibility thereof.

Standard Rails & Midrails
1/4 scale

REFER TO GLAZING AND DOOR STOP SECTION FOR GLASS STOP OPTIONS



TUBELITE®
DEPENDABLE
LEADERS IN ECO-EFFICIENT STOREFRONT,
CURTAINWALL AND ENTRANCE SYSTEMS

FEBRUARY 2020

For specific product applications, contact your Tubelite representative.
Details on this page represent standard details found on our website.
For more options, visit our website at
www.tubeliteinc.com/narrow-stile-and-standard-stile/