



More natural daylight. Less artificial lighting needs.

aLuminate light shelves are designed for use with most Tubelite storefront and curtainwall framing systems, as well as many other aluminum framing systems.

The design effectively increases the amount of natural daylight reaching deeper into occupied areas, which reduces the need for artificial light.

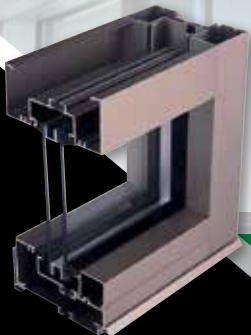
A unique, easy-to-install in-rigger bracket fastens at the interior vertical.

Curved reflectors can be painted bright white for maximum reflectivity and diffusion of sunlight.

*"Sleek design, innovative science,
well thought out technologically,
very impressive."*



**400 Series
Curtainwall**



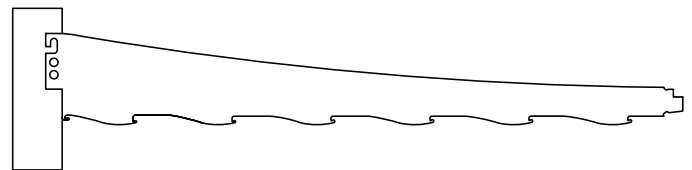
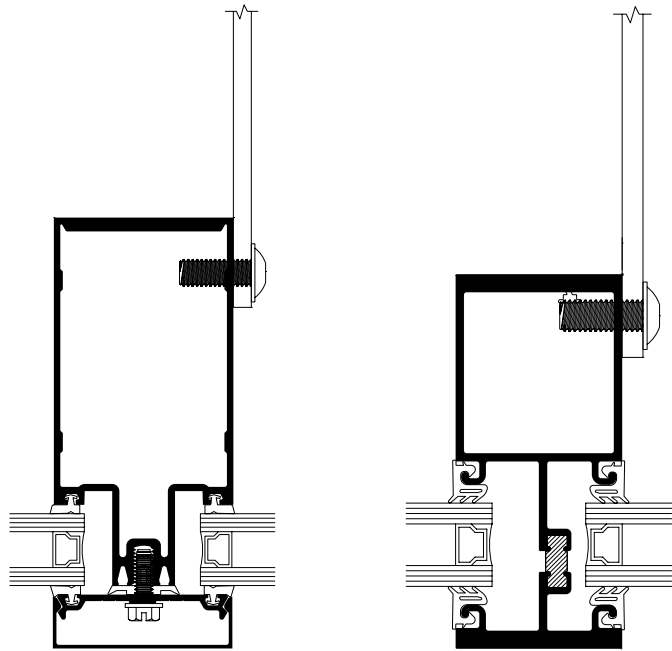
**14000 Series
Storefront**

ALSO
USED
WITH

TUBELITE[®]
DEPENDABLE

LEADERS IN ECO-EFFICIENT STOREFRONT,
CURTAINWALL AND ENTRANCE SYSTEMS

aLuminate™ Light Shelves



38.635"	36"	36" UNIT
32.635"	30"	30" UNIT
26.635"	24"	24" UNIT
20.635"	18"	18" UNIT
DIM B	DIM A	

System Features:

- Horizontal spans of up to 120"
- In-riggers can be finished to match or accent adjacent framing
- Fastens directly to Tubelite storefront or curtainwall vertical members
- Minimal number of parts and simple design allows easy installation

Optional Features:

- Overall 18", 24", 30", and 36" in-rigger projection depths
- 7 anodized and 19 painted standard finishes

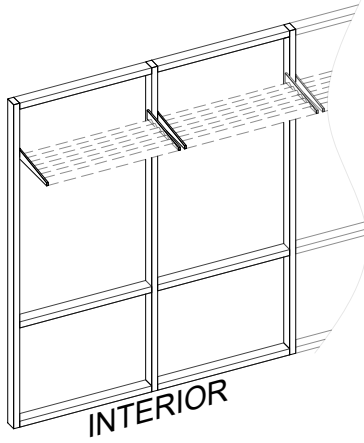
DISCLAIMER: Tubelite takes no responsibility for product selection or application, including, but not limited to, compliance with building codes, safety codes, laws, merchantability or fitness for a particular purpose; and further disclaims all liability for the use, in whole or in part, of this Technical Guide in preparation of project specifications and/or other documents. Technical Guides are subject to change at any time, without notice, and at Tubelite's sole discretion. ©2019 Tubelite Inc.

031919

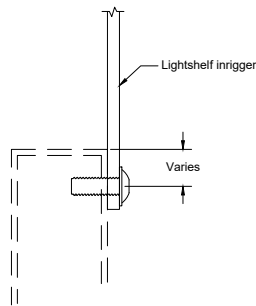
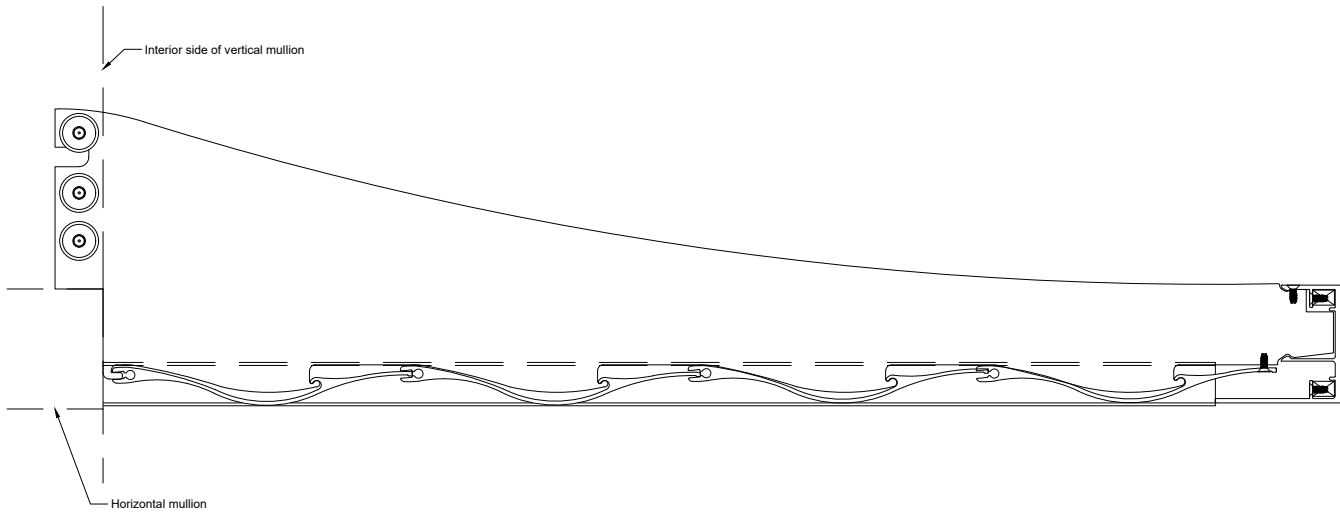
Tubelite reserves the right to change system configuration without prior notice when deemed necessary for product improvements.

Laws and building & safety codes governing the design and use of glazed entrance, window and curtain wall systems vary widely. Tubelite does not control the selection of product configurations, operating hardware or glazing materials, and assumes no responsibility thereof.

Standard Details
1/4 scale



LIGHT SHELF



Refer to online details for applications of the aLuminate light shelf to storefront, ribbon window and curtain wall framing systems.

January 2020

TUBELITE

DEPENDABLE

LEADERS IN ECO-EFFICIENT STOREFRONT,
CURTAINWALL AND ENTRANCE SYSTEMS

For specific product applications, contact your Tubelite representative.
Details on this page represent standard details found on our website.
For more options, visit our website at www.tubeliteinc.com/aluminate-light-shelves/