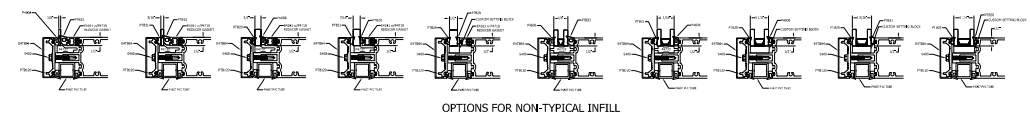
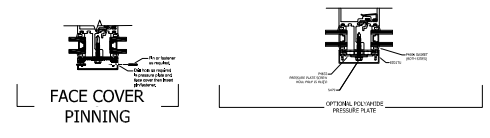
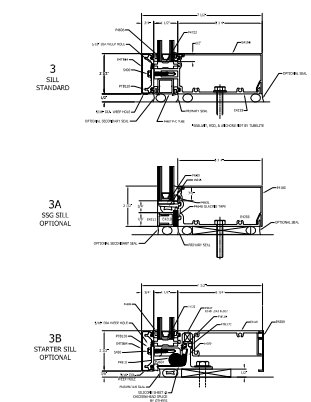
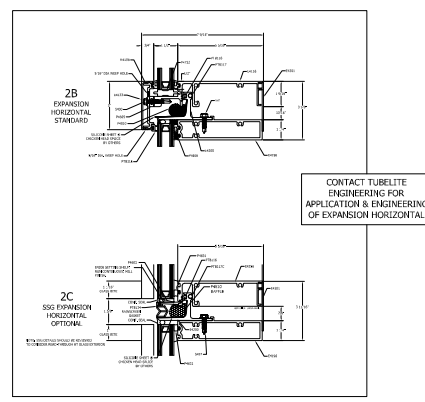
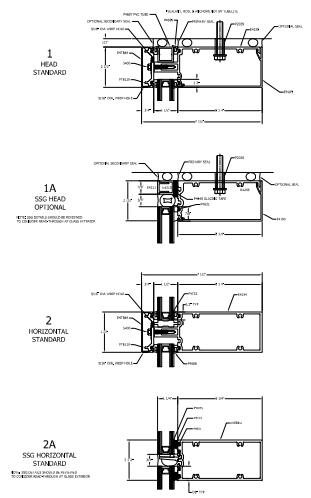
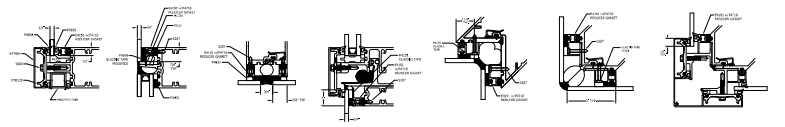


TYPICAL ELEVATION

400SS FIELD GLAZED CURTAIN WALL
 5-1/4" BACK MEMBER
 THERMAL PRESSURE PLATE

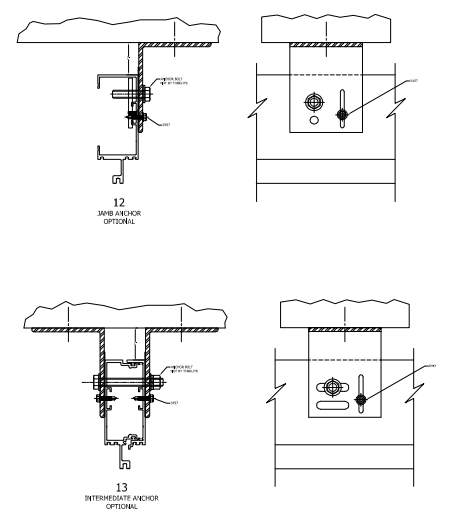
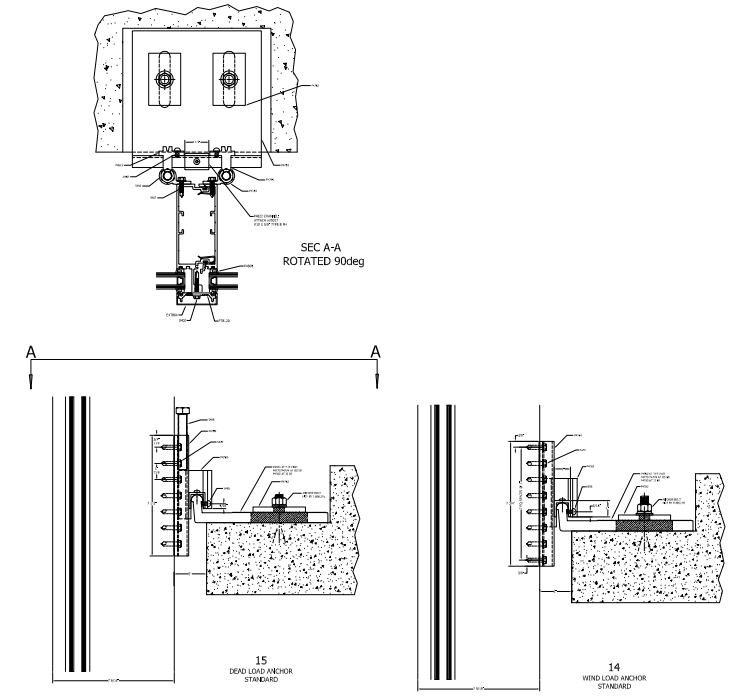
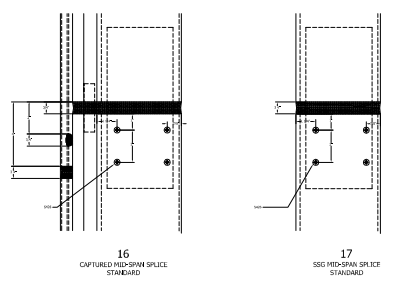
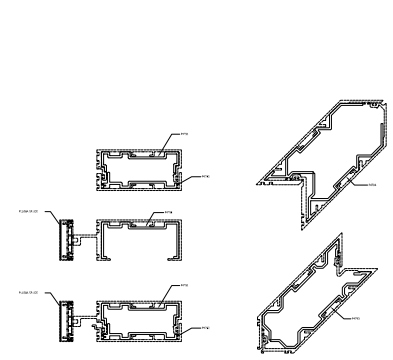
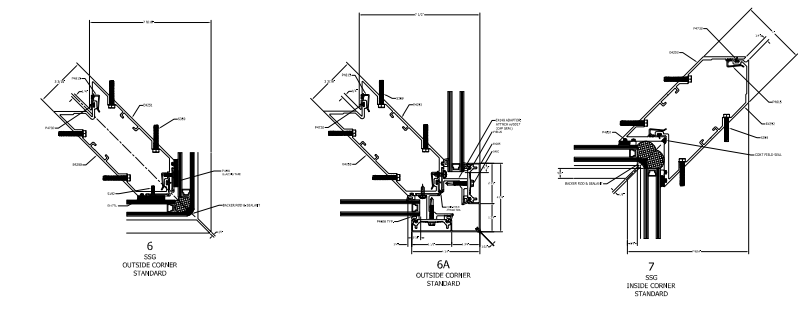
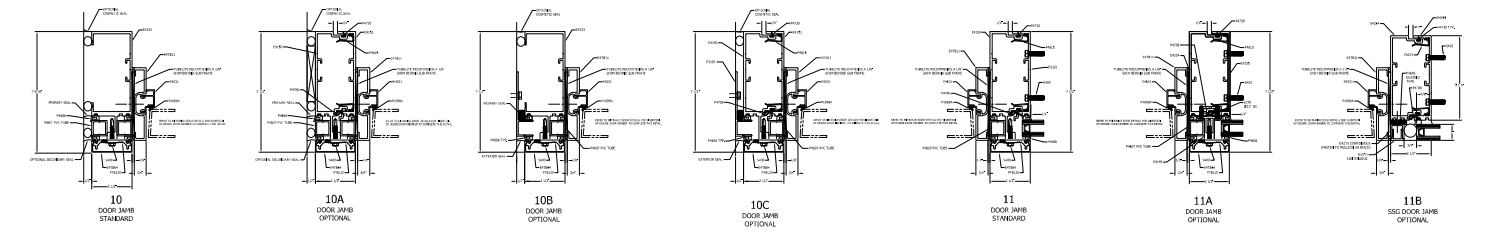
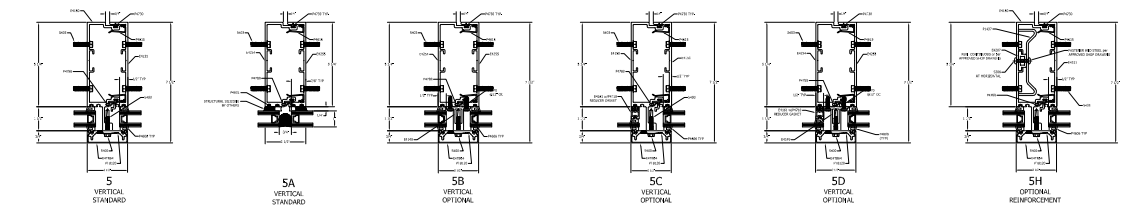
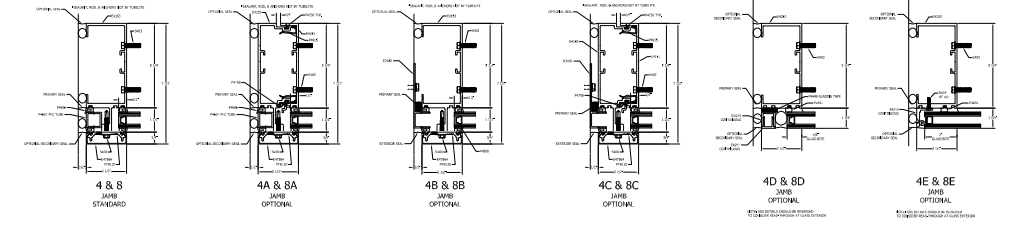


OPTIONS FOR NON-TYPICAL INFILL



OPTIONS FOR 1/4" INFILL

GLAZING INFILL OPTIONS
 GLASS SHOWN DOES NOT NECESSARILY REPRESENT FINAL CONFIGURATION.
 CONSULT GLASS MANUFACTURER FOR SPECIFIC GLASS MAKE UP.



TUBELITE[®]
DEPENDABLE
 LEADERS IN ECO-EFFICIENT STOREFRONT,
 CURTAINWALL AND ENTRANCE SYSTEMS
 LAST REVISED: 7-09-2020