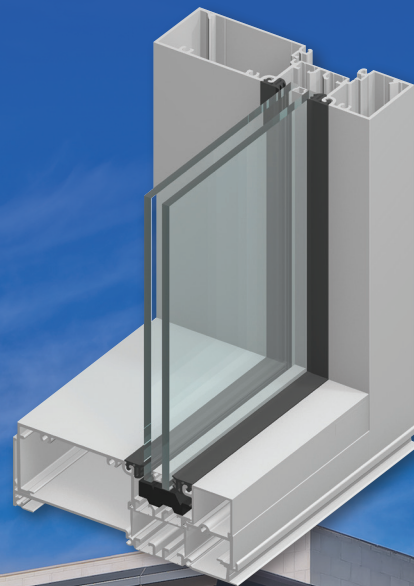


E24650 Storefront Framing

E24650 Series Storefront Framing has the same design, assembly and accessories as the 14000 center glazed system's 2" face, but with a 6-1/2" depth. This additional 2" depth on the interior side of the frame provides greater structural properties and allows taller first floor openings. The wider profile also cuts a distinctive image for a storefront that stands out from the crowd.



TCC 35 Eagle, Buildings A, H, J
Photographer: Joe Hernandez

**400 Series
Curtainwall**

**ALSO
USED
WITH**

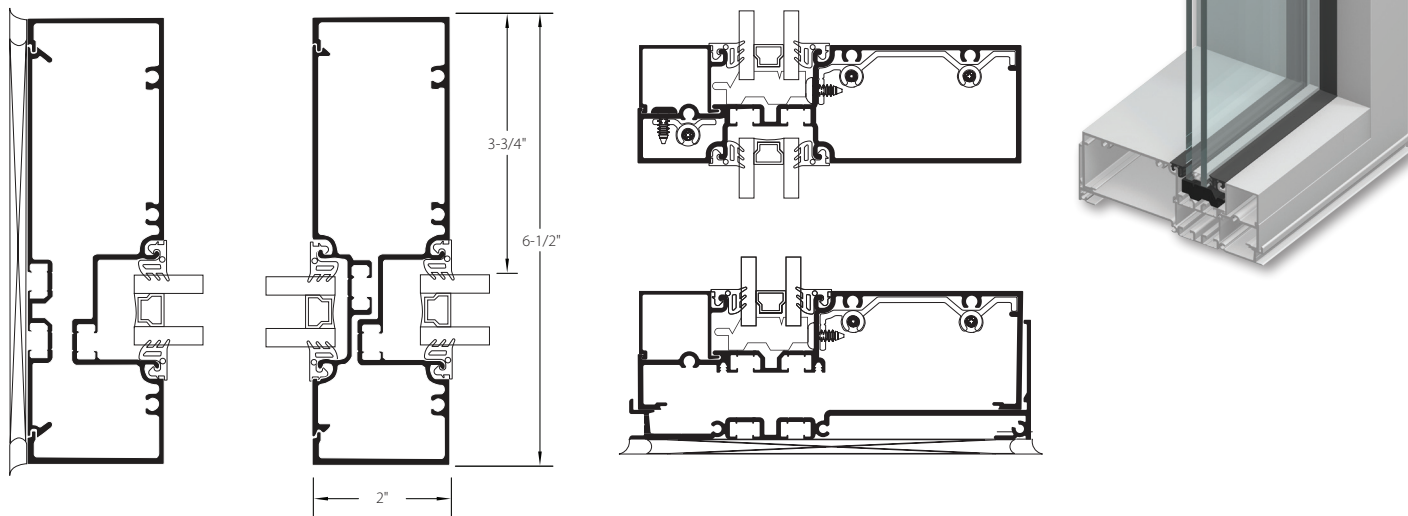
**Standard Wide
Stile Entrance**

TUBELITE®
DEPENDABLE

LEADERS IN ECO-EFFICIENT STOREFRONT,
CURTAINWALL AND ENTRANCE SYSTEMS

E24650

Storefront Framing



System Features:

- 2" x 6-1/2"
- Non-thermal
- Glass plane: Outside
- 1" standard infill (1/4" to 1-1/8")

Optional Features:

- Screw-spline or shear block connections
- Steel reinforcing if required
- A wide variety of standard anodized and painted colors are available to complement any project with warranted protection, as well as street appeal.
- Integrates with: all Entrances, 3700 Insert Vents, and Sun Control

Performance Test Standards

Air Performance	ASTM E 283
Water Performance	AAMA 501 and ASTM E 331
Structural	ASTM E 330
Thermal	AAMA 1503
Thermal Break	AAMA 505 and AAMA TIR-A8
Acoustical	AAMA 1801 and ASTM E 1425

E24650 Series Product Specifications

Application: Medium-Rise storefront, front set glass, outside glazed

Description: 2" x 6-1/2" nonthermal, outside or inside flush glazed storefront, front set glass.

Face Width:	Overall Depths:	Glass Thickness:	Air Infiltration:	Water Infiltration:	Structural:	CRF:	U-Factor**:	Acoustic
2"	6-1/2"	1"	0.06 CFM/Ft.2 @ 6.24 PSF	12 PSF – Static 12 PSF – Dynamic	30 PSF – Design 45 PSF – Overload	P & D 63 _f / 69 _G Strut 72 _f / 72 _G	0.40 – P&D Filler 0.35 – Strut Filler	31 STC 25 OITC

** U-Factor per NFRC 100: COG = 0.24 with warm edge spacer, 1-3/4" x 4-1/2" non-thermal frame.

Refer to the U-Factor table at: www.tubeliteinc.com/products/storefront/e-t-series-storefront-framing/ for other glass makeups and configurations.

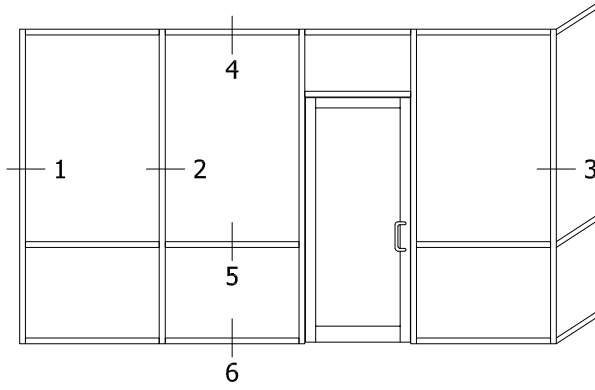
DISCLAIMER: Tubelite takes no responsibility for product selection or application, including, but not limited to, compliance with building codes, safety codes, laws, merchantability or fitness for a particular purpose; and further disclaims all liability for the use, in whole or in part, of this Technical Guide in preparation of project specifications and/or other documents. Technical Guides are subject to change at any time, without notice, and at Tubelite's sole discretion. ©2018 Tubelite Inc.

070120

TUBELITE®

DEPENDABLE

LEADERS IN ECO-EFFICIENT STOREFRONT,
CURTAINWALL AND ENTRANCE SYSTEMS

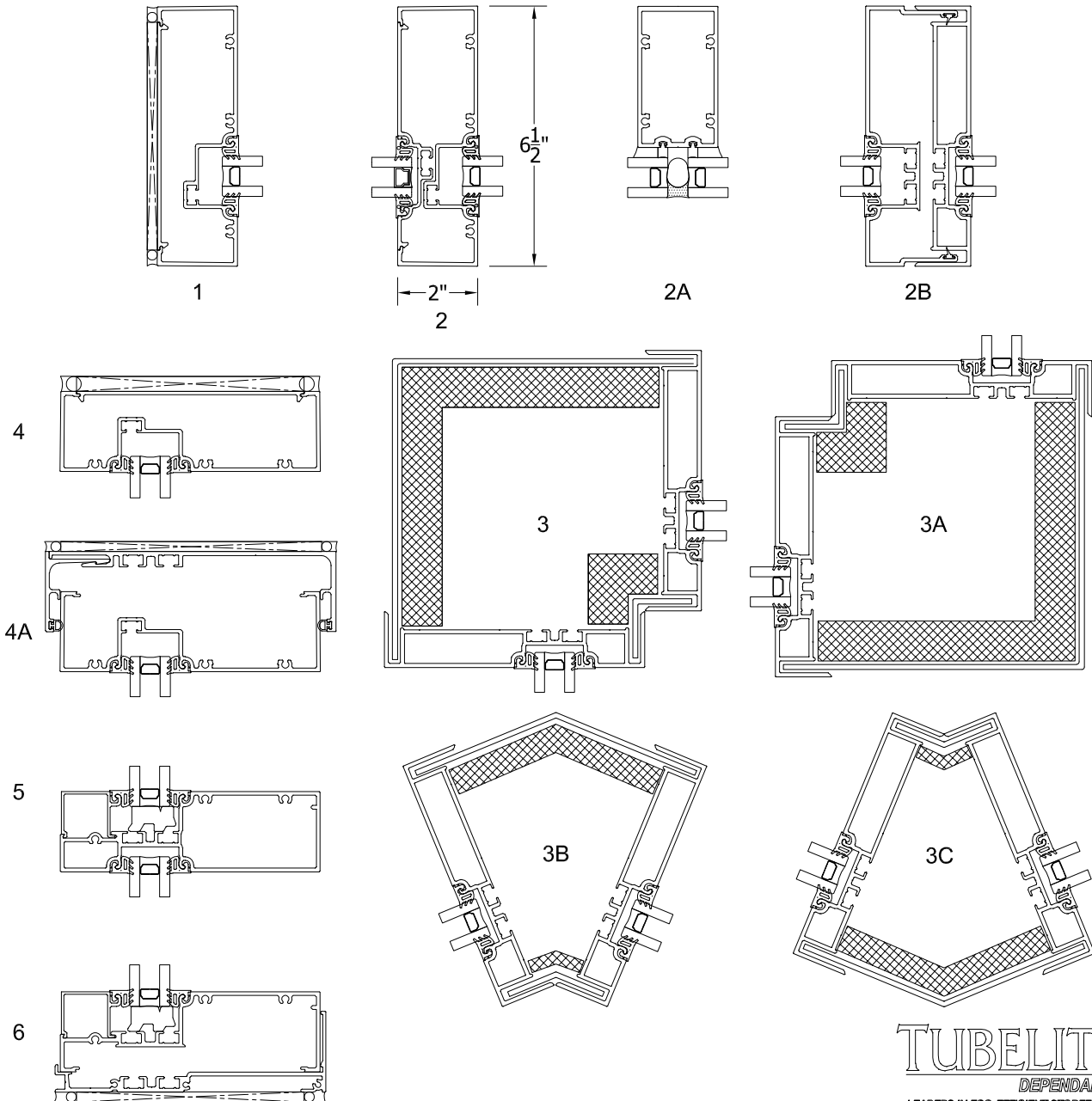


Tubelite reserves the right to change system configuration without prior notice when deemed necessary for product improvements.

Laws and building & safety codes governing the design and use of glazed entrance, window and curtain wall systems vary widely. Tubelite does not control the selection of product configurations, operating hardware or glazing materials, and assumes no responsibility thereof.

Standard Outside Glaze Details

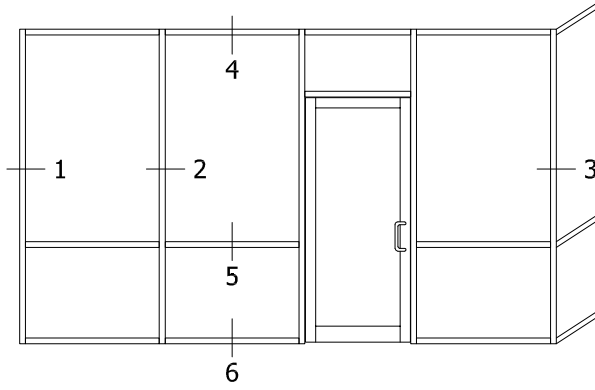
1/4 scale



June 2020

TUBELITE®
 DEPENDABLE
 LEADERS IN ECO-EFFICIENT STOREFRONT,
 CURTAINWALL AND ENTRANCE SYSTEMS

For specific product applications, contact your Tubelite representative.
 Details on this page represent standard details found on our website.
 For more options, visit our website at www.tubeliteinc.com/t24650-e24650-series-storefront-framing/

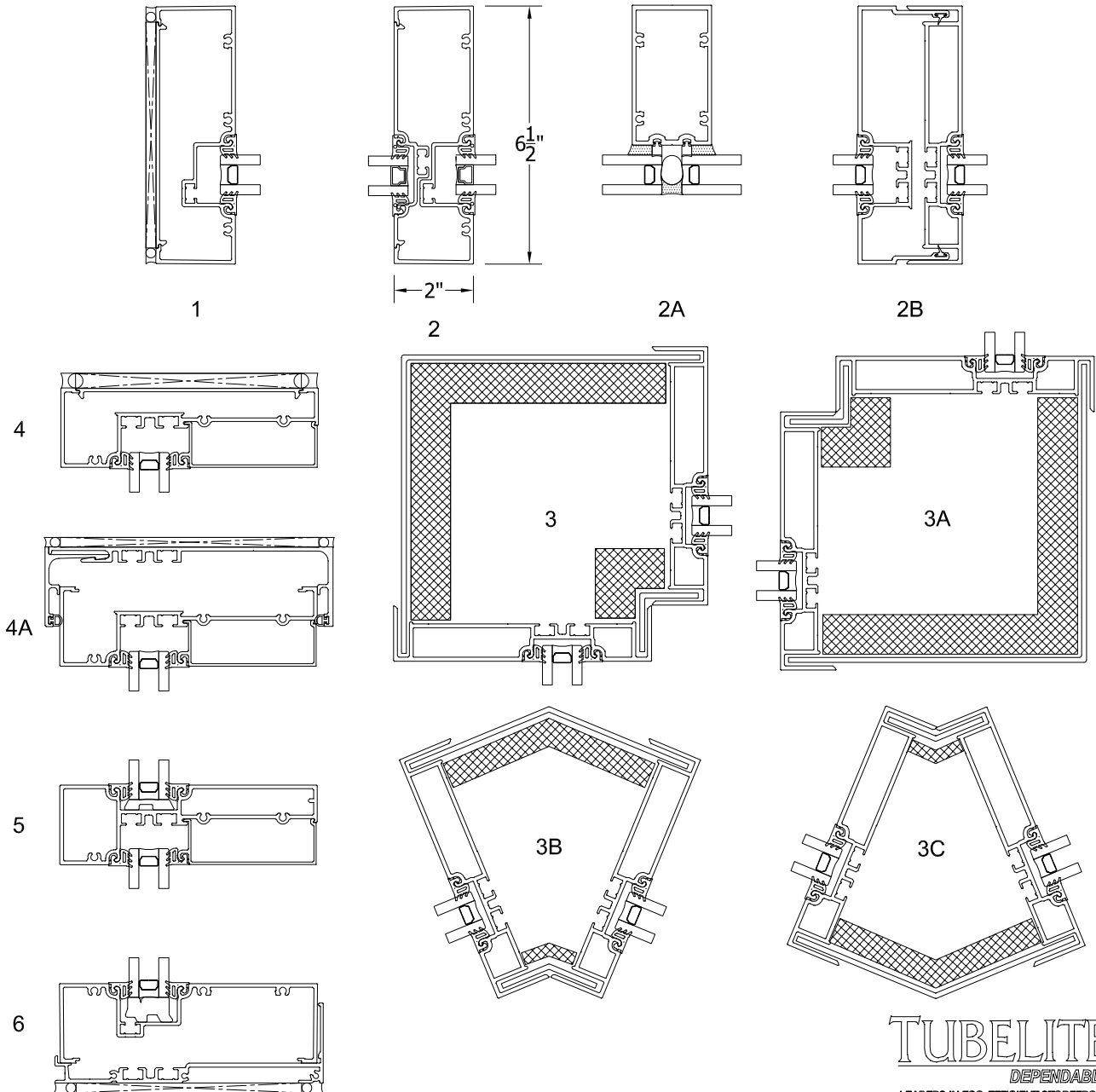


Tubelite reserves the right to change system configuration without prior notice when deemed necessary for product improvements.

Laws and building & safety codes governing the design and use of glazed entrance, window and curtain wall systems vary widely. Tubelite does not control the selection of product configurations, operating hardware or glazing materials, and assumes no responsibility thereof.

Standard Inside Glaze Details

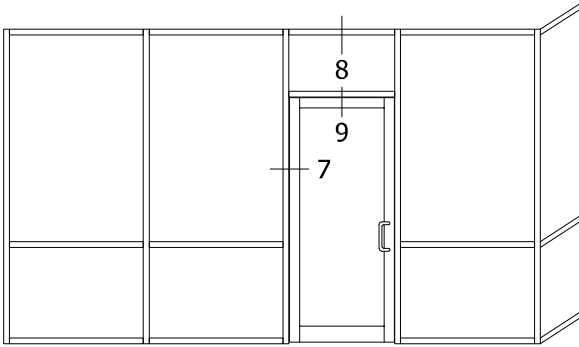
1/4 scale



TUBELITE®
 DEPENDABLE
 LEADERS IN ECO-EFFICIENT STOREFRONT,
 CURTAINWALL AND ENTRANCE SYSTEMS

June 2020

For specific product applications, contact your Tubelite representative.
 Details on this page represent standard details found on our website.
 For more options, visit our website at www.tubeliteinc.com/t24650-e24650-series-storefront-framing/

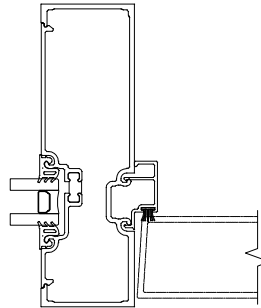


Tubelite reserves the right to change system configuration without prior notice when deemed necessary for product improvements.

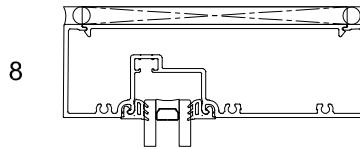
Laws and building & safety codes governing the design and use of glazed entrance, window and curtain wall systems vary widely. Tubelite does not control the selection of product configurations, operating hardware or glazing materials, and assumes no responsibility thereof.

Door Details

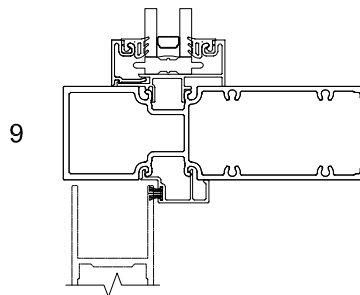
1/4 scale



7



8



9

TUBELITE[®]
 DEPENDABLE
 LEADERS IN ECO-EFFICIENT STOREFRONT,
 CURTAINWALL AND ENTRANCE SYSTEMS

June 2020

For specific product applications, contact your Tubelite representative.
 Details on this page represent standard details found on our website.
 For more options, visit our website at www.tubeliteinc.com/t24650-e24650-series-storefront-framing/