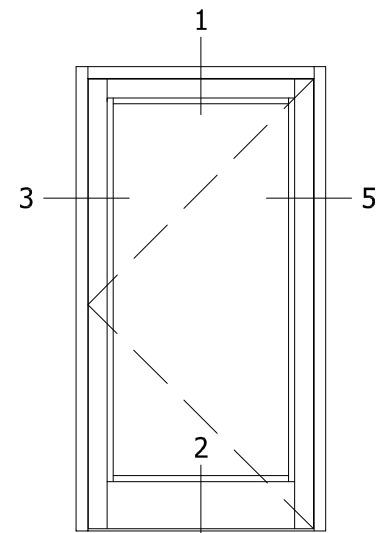
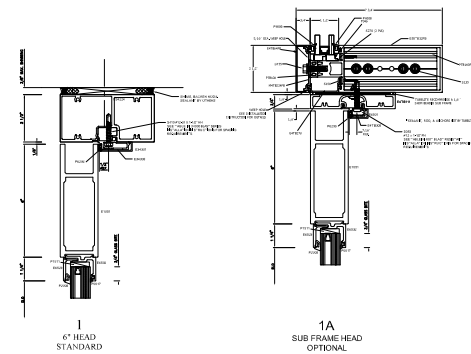


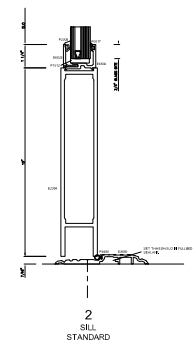
TYPICAL ELEVATION



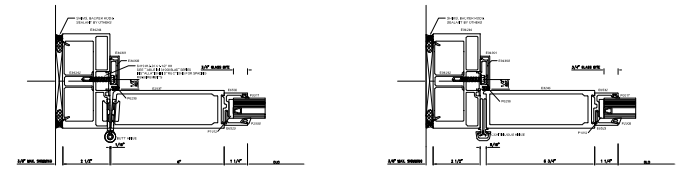
TYPICAL ELEVATION



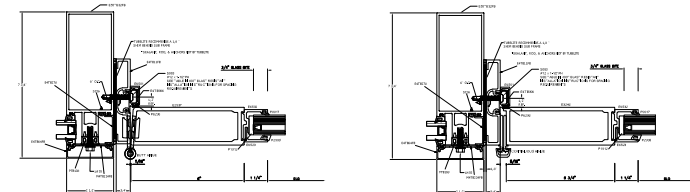
1 HEAD STANDARD
1A SUB FRAME HEAD OPTIONAL



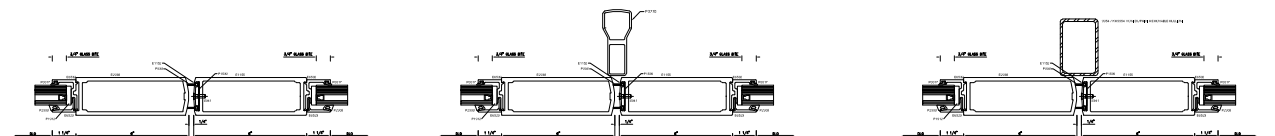
2 SILL STANDARD



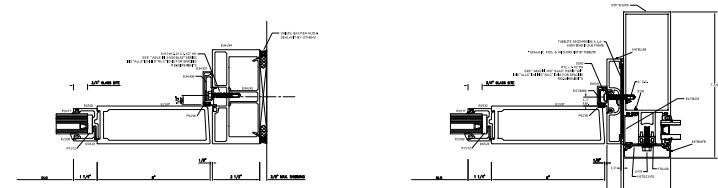
3 JAMB - BUTT HINGE STANDARD
3A JAMB - CONT. HINGE OPTIONAL



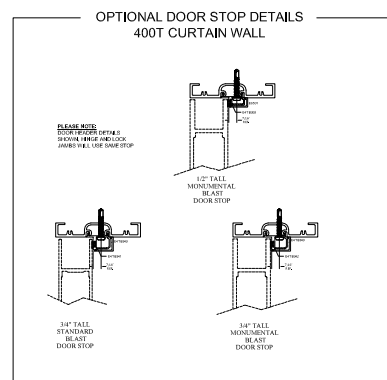
3B SUB FRAME - BUTT HINGE OPTIONAL
3C SUB FRAME - CONT. HINGE OPTIONAL



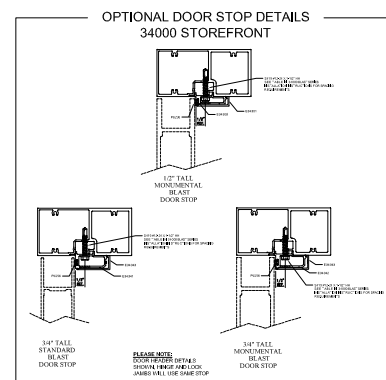
4 MEETING STILES STANDARD
4A REMOVABLE RIM PANEL MULLION OPTIONAL
4B REMOVABLE MULLION OPTIONAL



5 JAMB - LOCK SIDE STANDARD
5A SUB FRAME - LOCK SIDE OPTIONAL



OPTIONAL DOOR STOP DETAILS
400T CURTAIN WALL

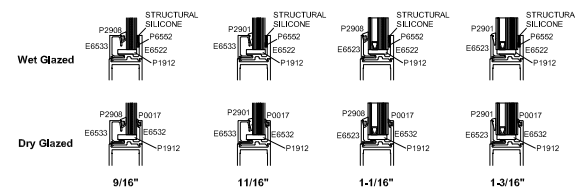


OPTIONAL DOOR STOP DETAILS
34000 STOREFRONT

FORCEFRONT BLAST MONUMENTAL WIDE STILE ENTRANCES

BLAST DOORS CAN BE INSERTED INTO 400T BLAST OR 34000 BLAST FRAMING SYSTEMS.
REFER TO SYSTEM PERIMETER SHEETS FOR FRAMING

ENGINEER OR PROJECT ENGINEER OF RECORD
MUST BE CONSULTED FOR DOOR SIZING,
HARDWARE AND CONFIGURATION OPTIONS USING
THE DOOR STILE AND RAIL OPTIONS SHOWN



GLAZING INFILL
OPTIONS

TUBELITE®

DEPENDABLE

LEADERS IN ECO-EFFICIENT STOREFRONT,
CURTAINWALL AND ENTRANCE SYSTEMS

Last Revised: 4/5/2021