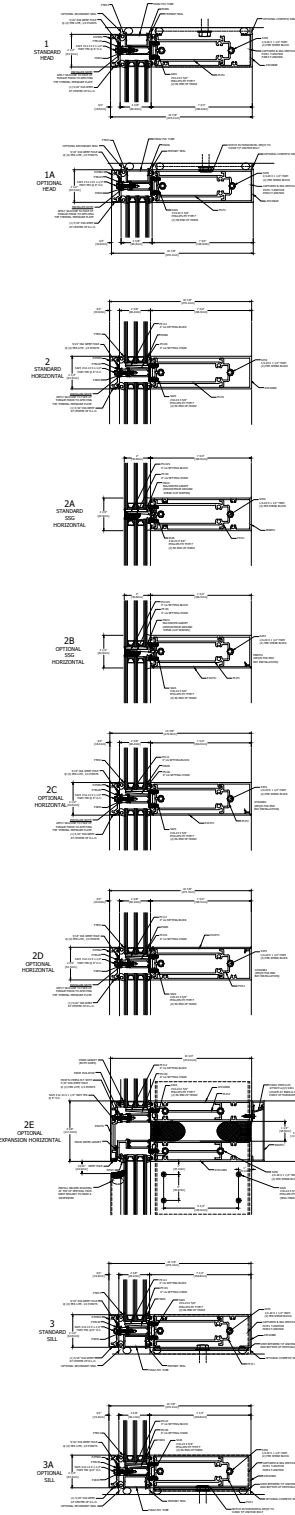
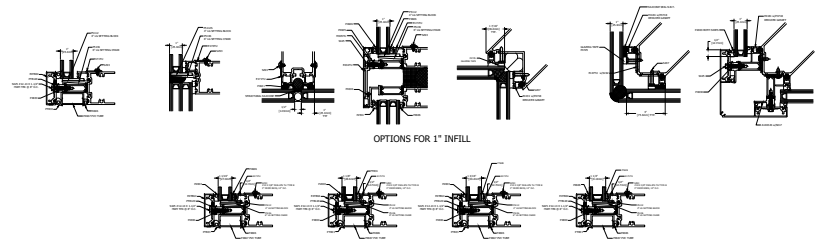


TYPICAL ELEVATION

400TU ULTRA THERMAL CURTAIN WALL  
 7 3/4" BACK MEMBER, TRIPLE GLAZE, SHEAR CLIP  
 THERMAL PRESSURE PLATE

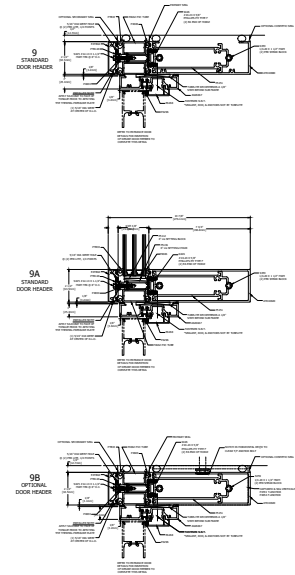


HORIZONTAL DETAILS



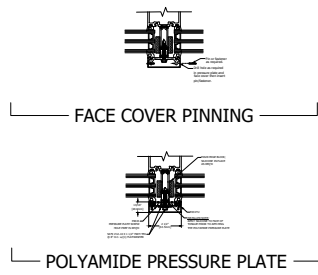
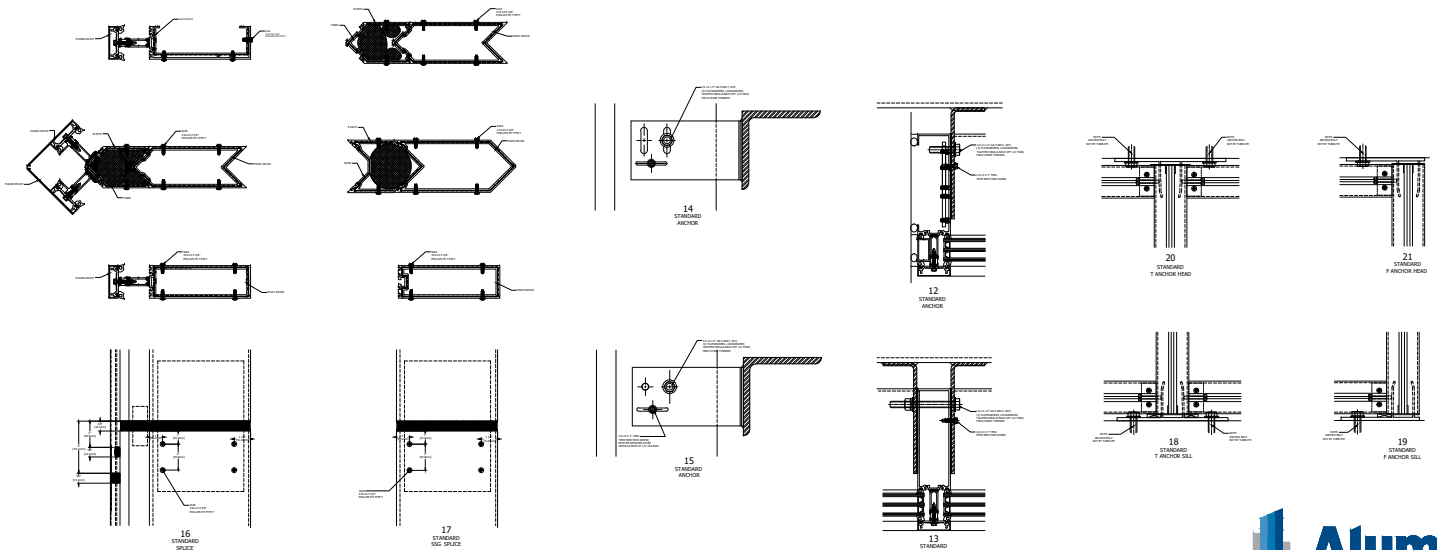
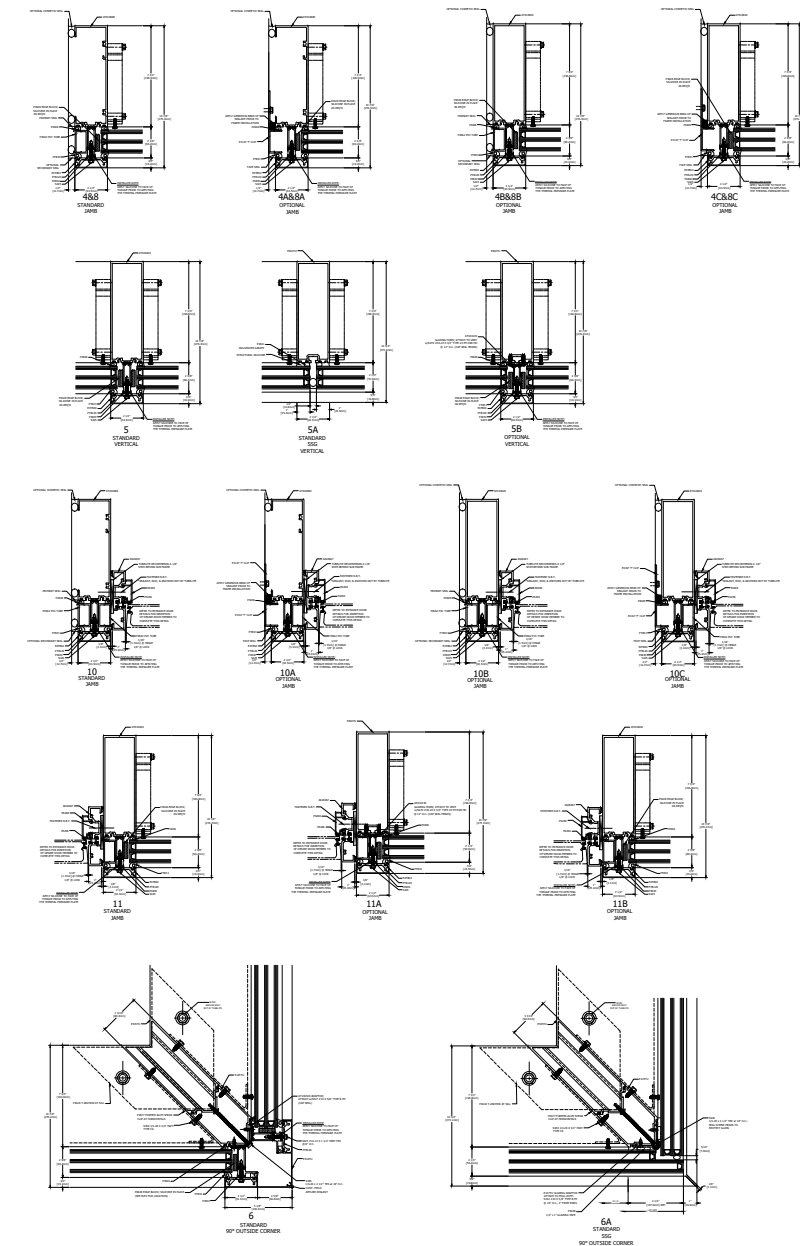
GLAZING INFILL OPTIONS

GLASS SHOWN DOES NOT NECESSARILY REPRESENT FINAL CONFIGURATION.  
 CONSULT GLASS MANUFACTURER FOR SPECIFIC GLASS RANGE UP.  
 USE OF 550 VERTICALS WITH THESE GLAZING OPTIONS REQUIRE 1/4" SILICONE JOINT THICKNESS FOR  
 OPTIMUM STRUCTURAL SILICONE PERFORMANCE. CONSULT TUBELITE ENGINEERING FOR ANY CUSTOM  
 CONFIGURATIONS REQUIRED.



SPLICE AND ANCHOR DETAILS

VERTICAL DETAILS



FACE COVER PINNING

POLYAMIDE PRESSURE PLATE