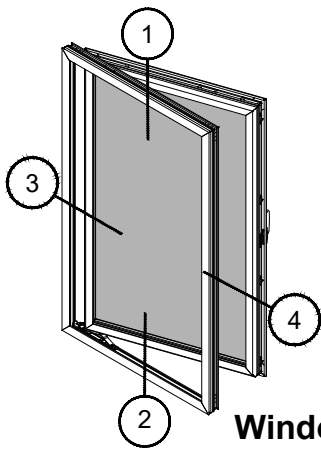


PI CASEMENT INFORMATION

	MPL	CAM HANDLES
*MIN DIMENSIONS	**18" x 24" [457 x 607]	**18" x 24" [457 x 610]
*MAX DIMENSIONS	**35" x 80" [889 x 2032]	**35" x 54" [889 x 1372]
SCREEN	OPTIONAL	OPTIONAL
MAX OPENING	VARIES	VARIES
EGRESS	OPTIONAL	NA
LIMITED OPENING	OPTIONAL @ 4"	OPTIONAL @ 4"
CUSTODIAL HANDLE	OPTIONAL	N/A

*Based on (DLO) dimensions
 **Width/Height ratio exceeding 65% is not recommended
 [] Dimensions in brackets are in [mm] millimeters

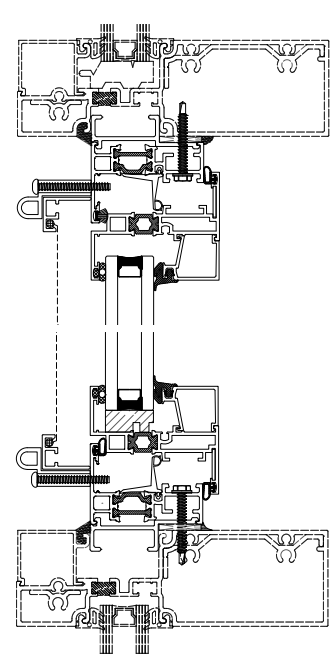
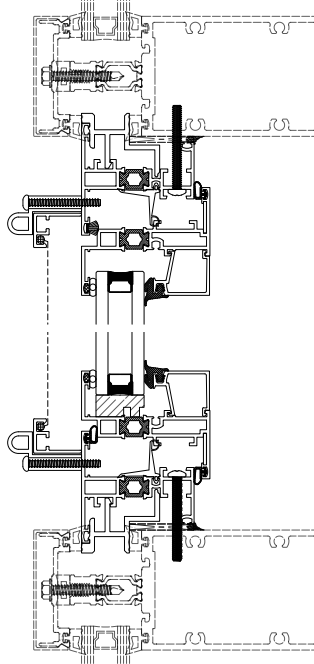
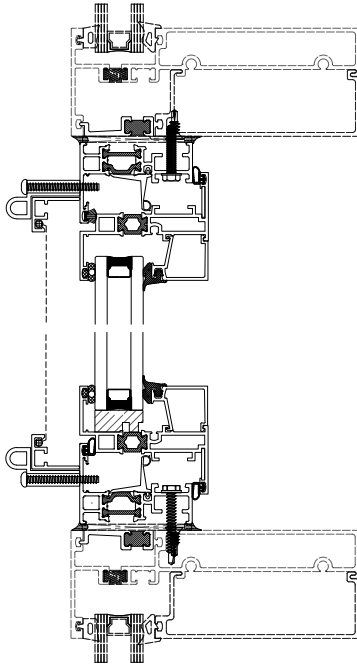


Window Wall Integration

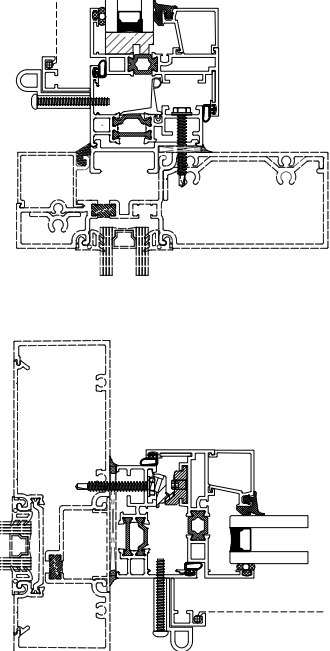
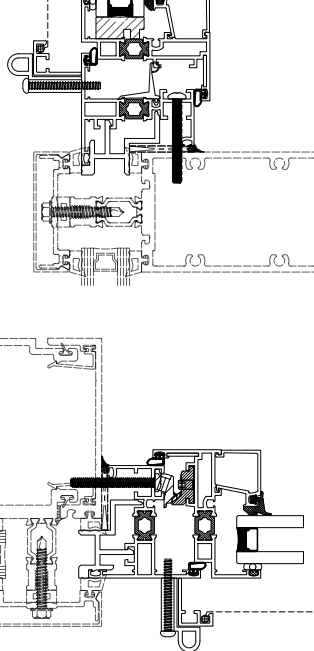
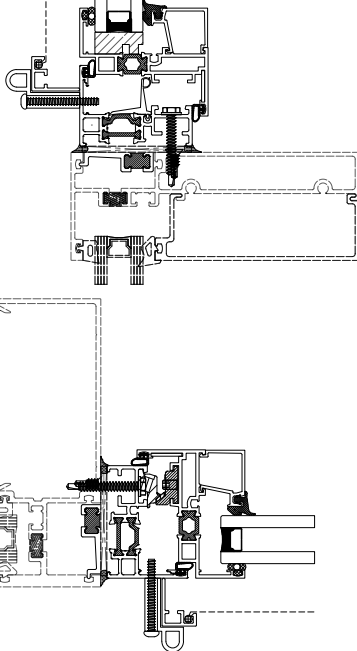
Curtain Wall Integration

Storefront Integration

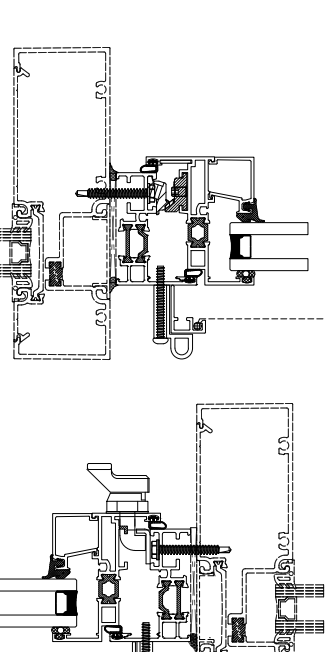
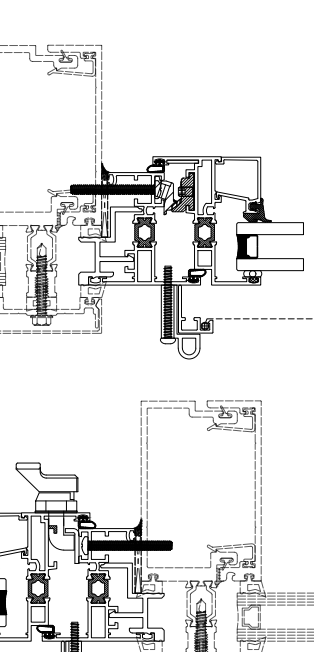
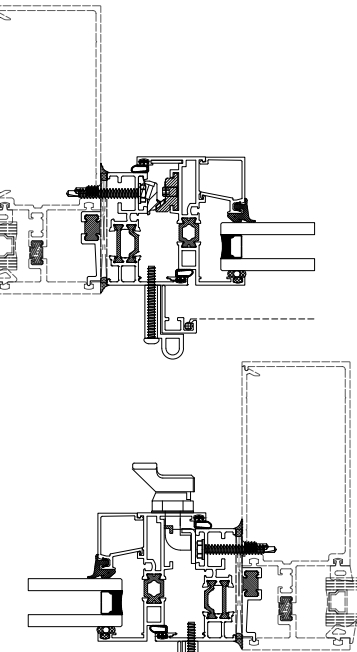
1



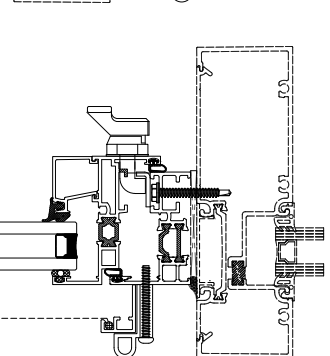
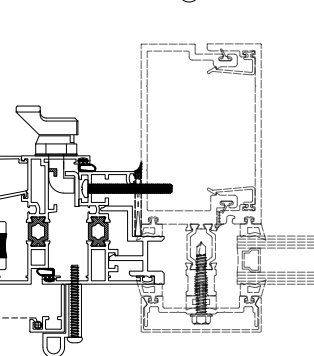
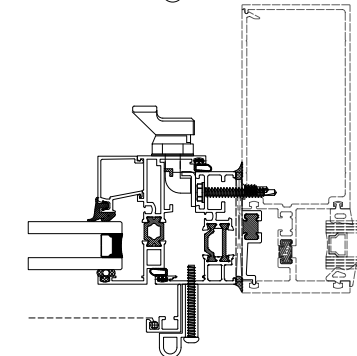
2



3

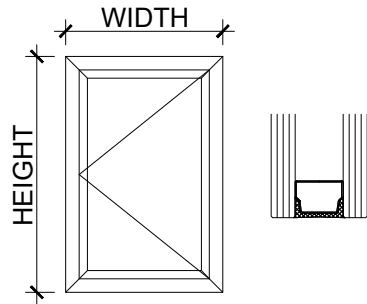
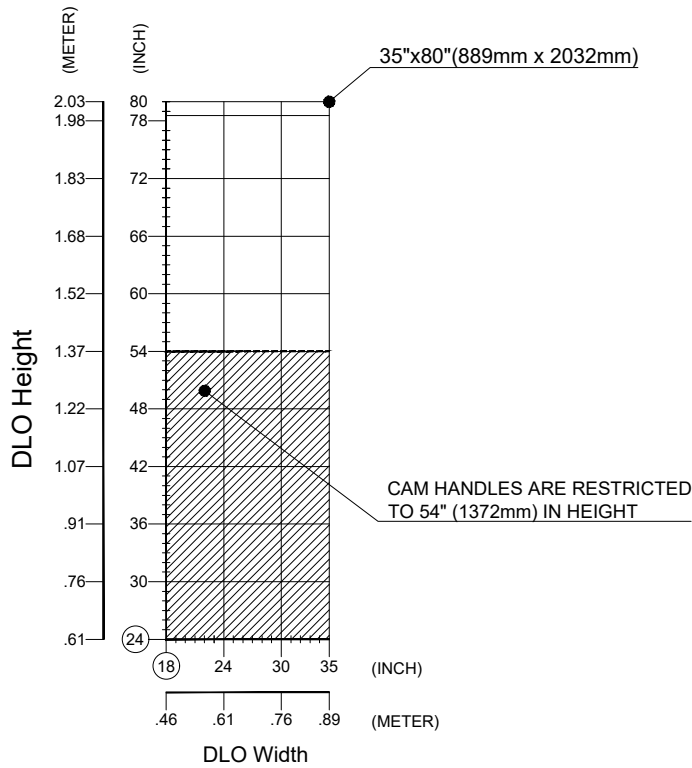


4



Standard Details
 1/4 scale

SIDE HUNG PROJECT IN WITH MULTIPOINT LOCKING OR CAM HANDLE



BASED ON SETTING BLOCKS AT 6" (152.4mm) FROM CORNERS

Casement Width Exceeding 65% of Height Is Not Recommended Consult Hopper Charts

CAM HANDLES ARE RESTRICTED TO 54" (1372mm) IN HEIGHT

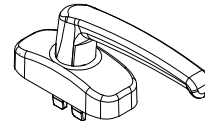
Charts are based upon an insulating glass unit infill of 1" [25.4mm] overall thickness comprised of 6mm glass/13mm gas fill/6mm glass

Using this chart:

- Ensure your largest maximum casement size falls within the above size limitation chart
- Maximum sizes 35" wide x 80" high [889mm wide x 2032mm high]

MPL casement hardware includes the following:

- Silver, White or Black handle finish
- One multipoint locking handle centered on the jamb of the sash
- Internal opening hinge
- Snubber set (as required)
- Glass stop for 1" [25.4mm] glazing
- Interior glazing spline



MPL HANDLE

CAM HANDLE casement hardware includes the following:

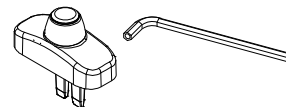
- Silver or Bronze handle finish
- One or two ring CAM handles (as required)
- One pair stainless steel friction arms
- Snubber set (as required)
- Glass stop for 1" [25.4mm] glazing
- Interior glazing spline



RING CAM HANDLES

Optional extras (must be specified at time of ordering or quotation):

- Insect screen (fiberglass or aluminum mesh)
- Custodial lock with removable wrench used MPL hardware only.
- Sash limiters
- Hardware other than standard
- Egress Opening
- Glazing gasket for 1 1/16" [27mm] IGU



OPTIONAL CUSTODIAL LOCK WITH REMOVABLE MAINTENANCE WRENCH

Standard Details
1/4 scale