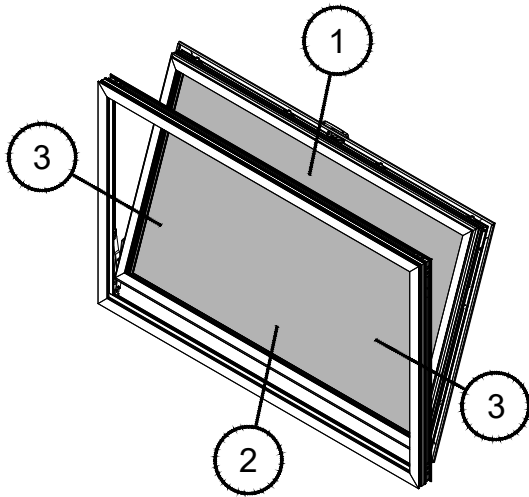


PI HOPPER INFORMATION



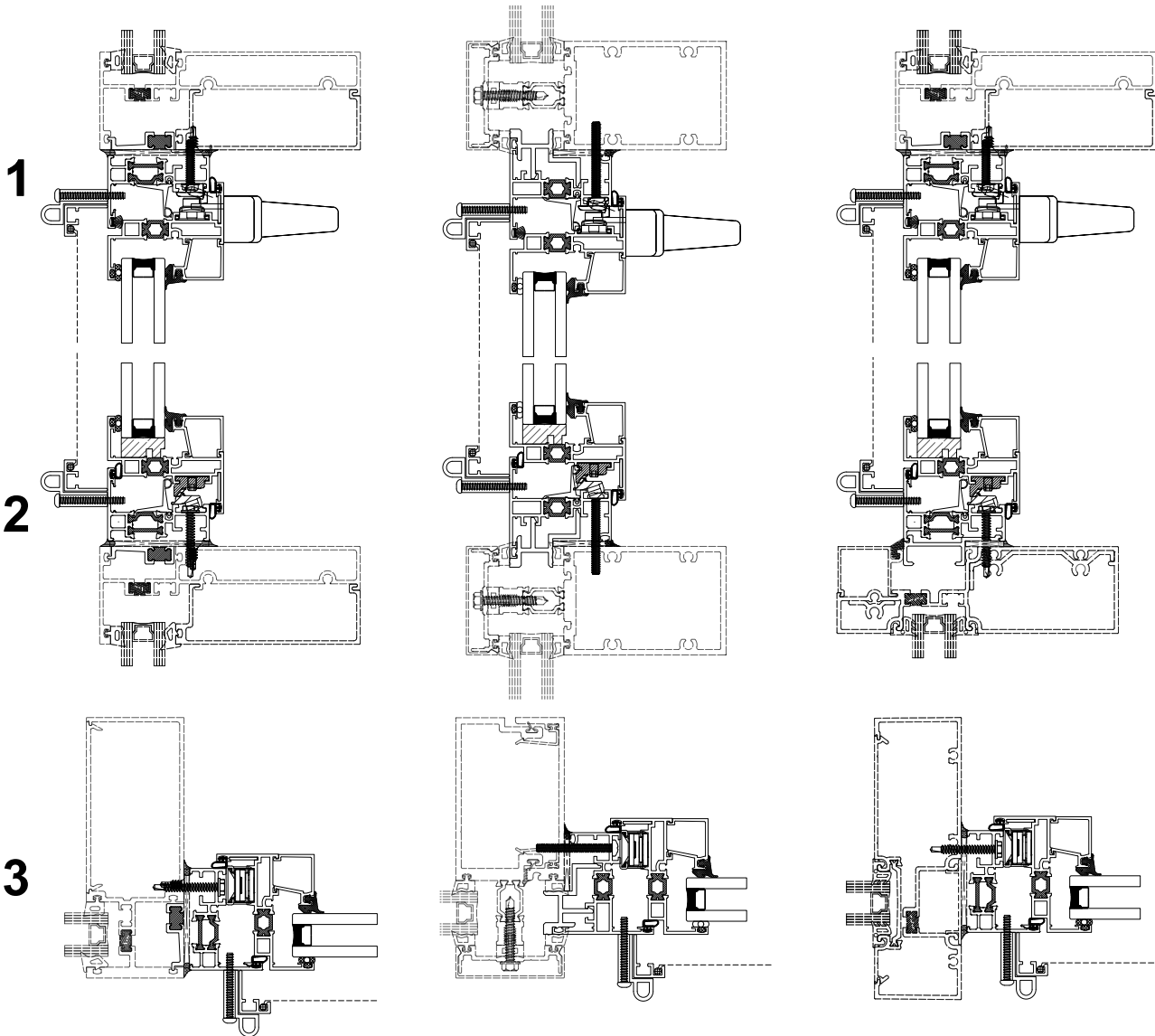
	MPL	CAM HANDLES
*MIN DIMENSIONS	16" x 16" [406 x 406]	16" x 16" [406 x 406]
*MAX DIMENSIONS	60" x 36" [1524 x 914] or 36" x 54" [914 x 1372]	48" x 36" [1219 x 914]
SCREEN	STANDARD	STANDARD
MAX OPENING	VARIES	VARIES
EGRESS	NA	NA
LIMITED OPENING	OPTIONAL @ 4"	OPTIONAL @ 4"
CUSTODIAL HANDLE	STANDARD	N/A

*Based on (DLO) dimensions
 [] Dimensions in brackets are in [mm] millimeters

Window Wall Integration

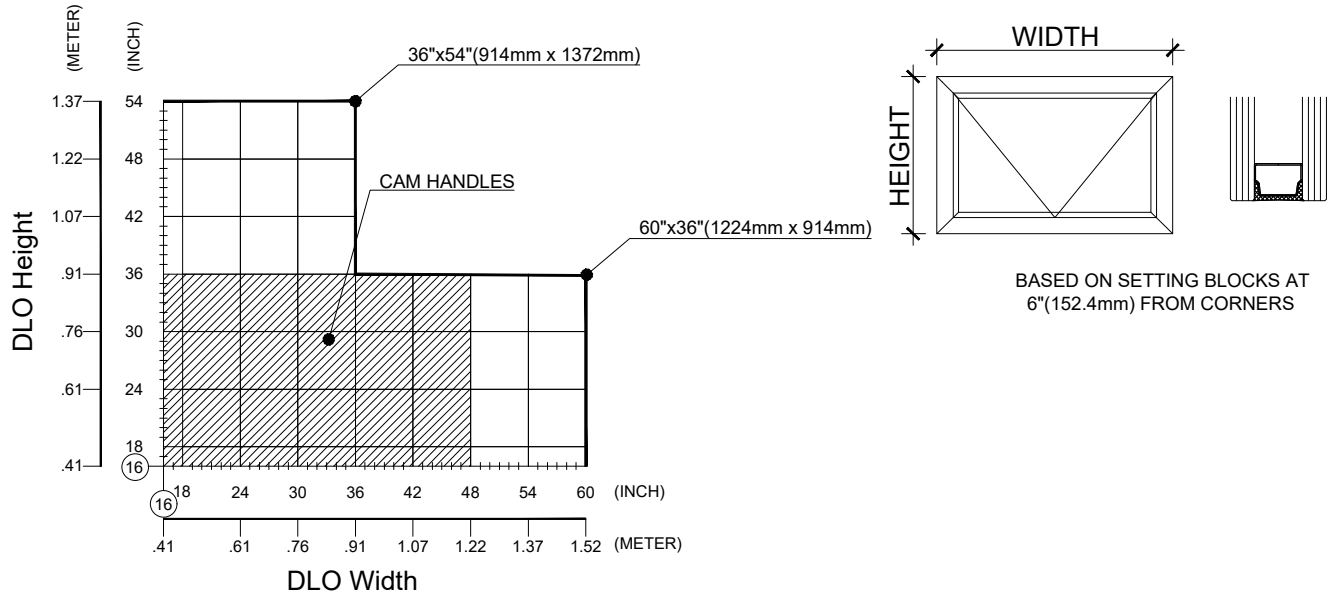
Curtain Wall Integration

Storefront Integration



Standard Details
 1/4 scale

HOPPER PROJECT IN WITH MULTIPOINT LOCKING OR RING CAM HANDLE



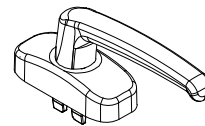
Charts are based upon an insulating glass unit infill of 1" [25.4mm] overall thickness comprised of 6mm glass/13mm gas fill/6mm glass

Using this chart:

- Ensure your largest maximum casement size falls within the above size limitation chart

MPL hopper hardware includes the following:

- Silver, White or Black handle finish
- One multipoint locking handle centered on the head of the sash
- One pair stainless steel friction arms
- Snubber set (as required)
- Glass stop for 1" [25.4mm] glazing
- Interior glazing spline



MPL HANDLE

CAM HANDLE hopper hardware includes the following:

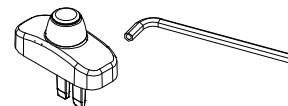
- Silver or Bronze handle finish
- One or two ring CAM handles (as required)
- One pair stainless steel friction arms
- Snubber set (as required)
- Glass stop for 1" [25.4mm] glazing
- Interior glazing spline



RING CAM HANDLES

Optional extras (must be specified at time of ordering or quotation):

- Insect screen (fiberglass or aluminum mesh)
- Custodial lock with removable wrench used MPL hardware only.
- Sash limiters
- Hardware other than standard
- Glazing gasket for 1 1/16" [27mm] IGU



OPTIONAL CUSTODIAL LOCK WITH REMOVABLE MAINTENANCE WRENCH

Standard Details
1/4 scale