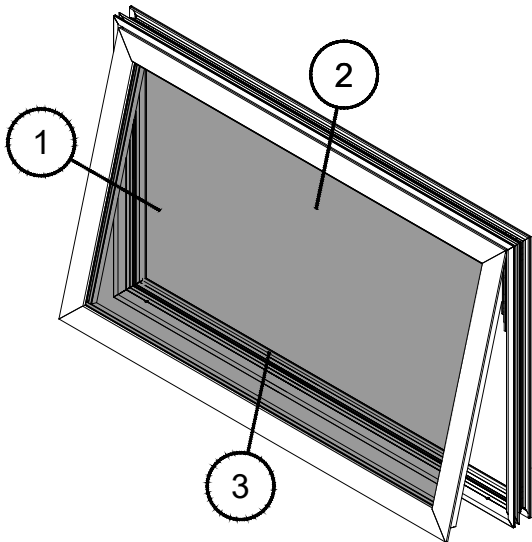


4-BAR / CAMS



AWNING INFORMATION

CAM HANDLES	
*MIN DIMENSIONS	16" x 16" [406 x 406]
*MAX DIMENSIONS	60" x 36" [1524 x 914]
SCREEN	OPTIONAL with WICKET
MAX OPENING	VARIES
LIMITED OPENING	OPTION @ 4" [102]
CUSTODIAL HANDLE	N/A

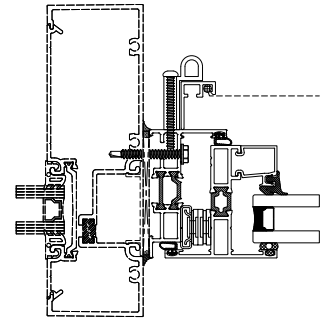
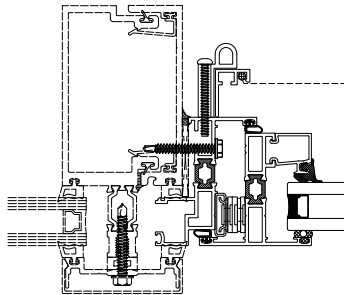
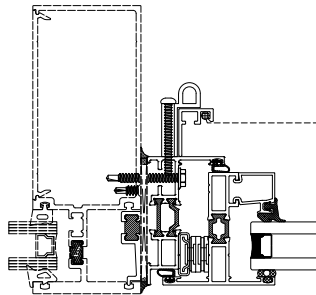
*Based on (DLO) dimensions
 [] Dimensions in brackets are in [mm] millimeters

Window Wall Integration

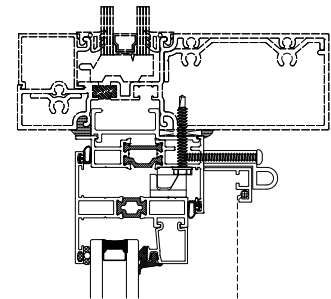
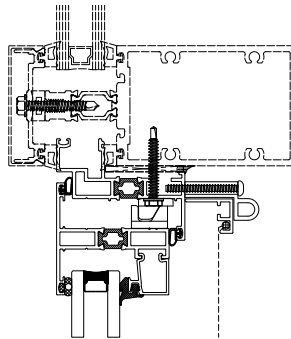
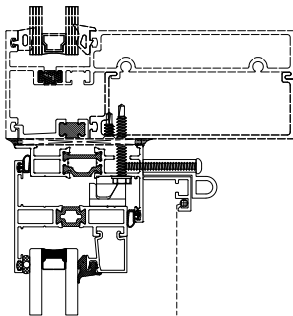
Curtain Wall Integration

Storefront Integration

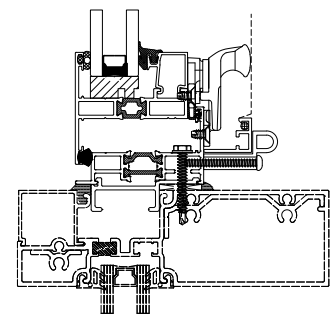
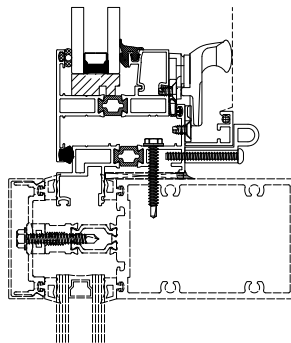
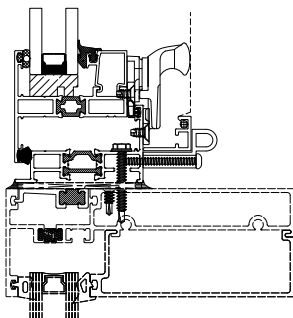
1



2

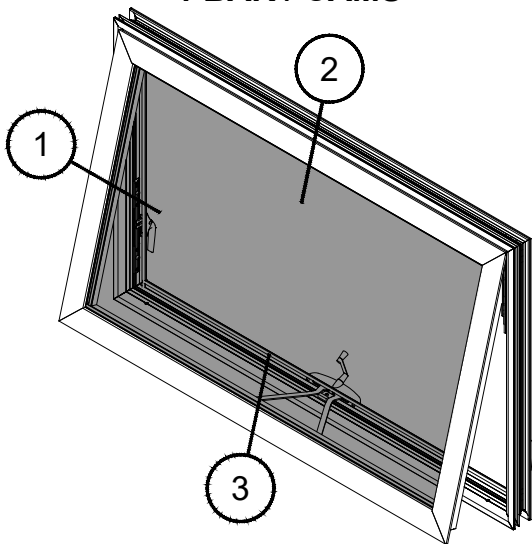


3



Standard Details
 1/4 scale

4-BAR / CAMS



AWNING INFORMATION

ROTO-MPL	
*MIN DIMENSIONS	21" x 18" [533 x 457]
*MAX DIMENSIONS	38" x 80" [965 x 2032] or 60" x 50" [1524 x 1270] or max. 21 ft ² [1.95 m ²]
SCREEN	OPTIONAL
MAX OPENING	2 1/4" < 32" [57 < 813] 7 1/2" > 32" [191 > 813]
LIMITED OPENING	**OPTION @ 4" [102]
CUSTODIAL HANDLE	OPTIONAL

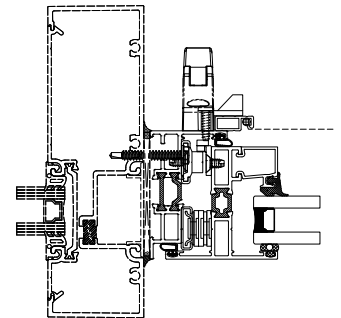
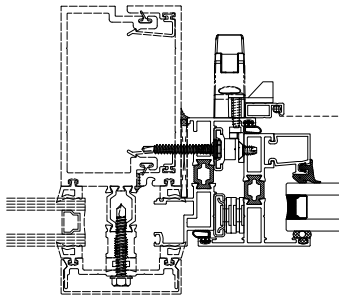
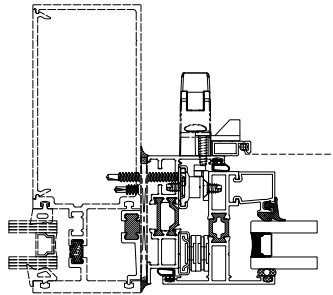
*Based on (DLO) dimensions
 ** Width must exceed 32" [813] in width
 [] Dimensions in brackets are in [mm] millimeters

Window Wall Integration

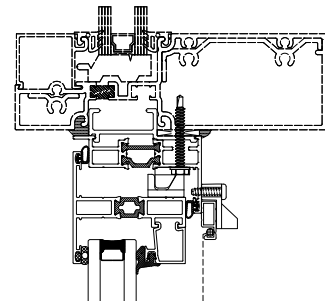
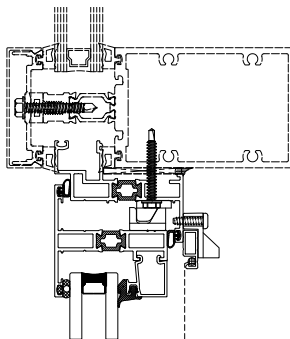
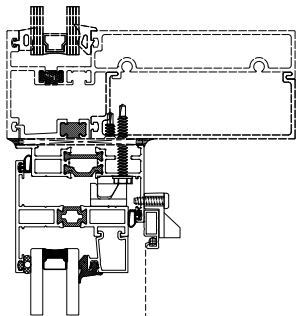
Curtain Wall Integration

Storefront Integration

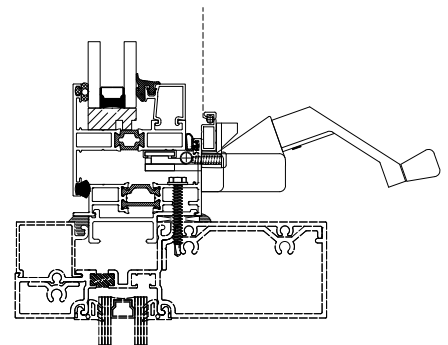
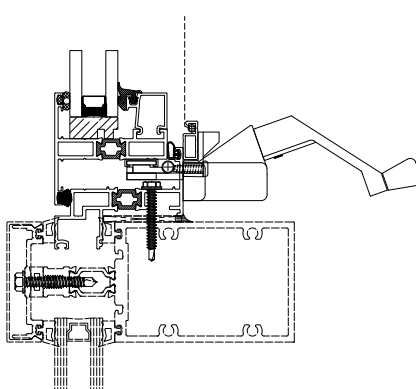
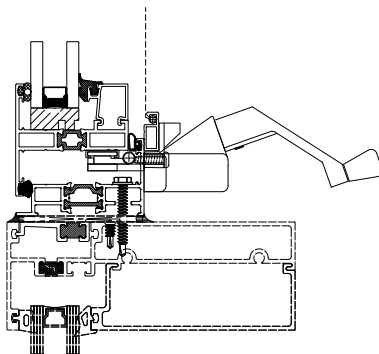
1



2

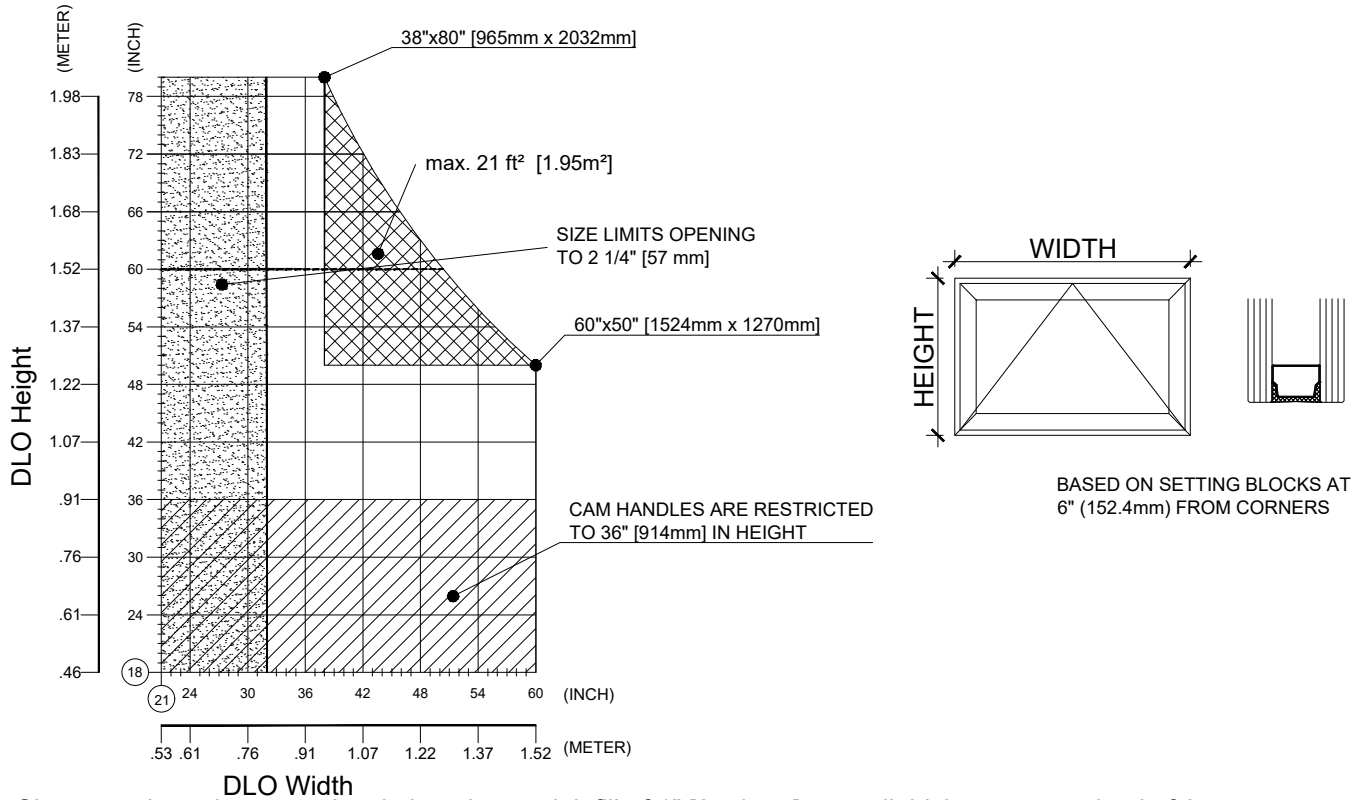


3



Standard Details
 1/4 scale

TOP HUNG PROJECT OUT WITH ROTO OPERATOR & MULTIPOINT LOCKING OR CAM HANDLE



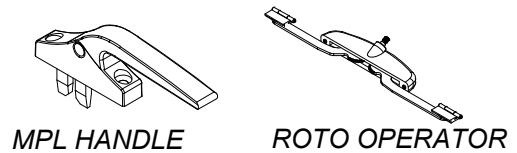
Charts are based upon an insulating glass unit infill of 1" [25.4mm] overall thickness comprised of 6mm glass/13mm gas fill/6mm glass

Using this chart:

- Ensure your largest maximum casement size falls within the above size limitation chart

MPL awning hardware includes the following:

- Silver, White or Black handle finish
- One ROTO Operator & two multipoint locking handle
- One pair stainless steel friction arms
- Snubber set (as required)
- Glass stop for 1" [25.4mm] glazing
- Interior glazing spline



CAM HANDLE awning hardware includes the following:

- White Bronze handle finish
- One or two ring CAM handles (as required) located on the sash
- One pair stainless steel friction arms
- Snubber set (as required)
- Glass stop for 1" [25.4mm] glazing
- Interior glazing spline



Optional extras (must be specified at time of ordering or quotation):

- Insect screen (fiberglass or aluminum mesh)
- Custodial lock with removable handle used with MPL hardware only.
- Sash limiters
- Hardware other than standard
- Glazing gasket for 1 1/16" [27mm] IGU



Standard Details
1/4 scale