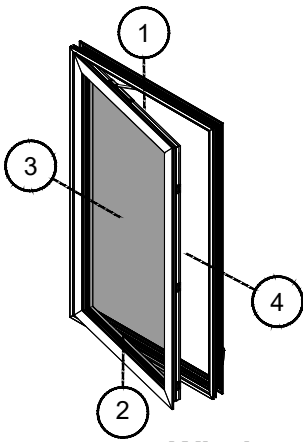


CASEMENT INFORMATION

CAM HANDLES

| | |
|-----------------|--------------------------|
| *MIN DIMENSIONS | **16" x 16" [406 x 406] |
| *MAX DIMENSIONS | **35" x 54" [889 x 1372] |
| SCREEN | OPT. (wicket) |
| MAX OPENING | Varies |
| EGRESS | N/A |
| LIMITED OPENING | OPTION @ 4" |
| CUSTODIAL LOCK | N/A |

*Based on (DLO) dimensions
 **Width/Height ratio exceeding 65% is not recommended
 [] Dimensions in brackets are in [mm] millimeters

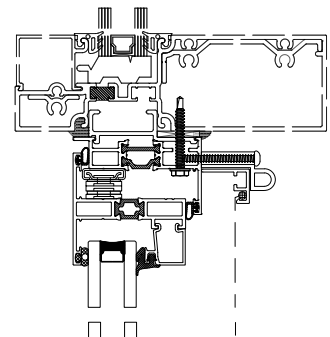
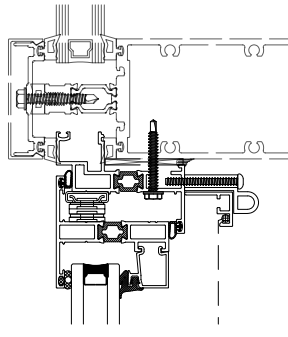
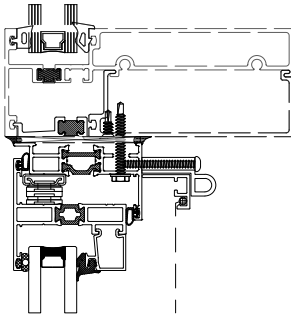


Window Wall Integration

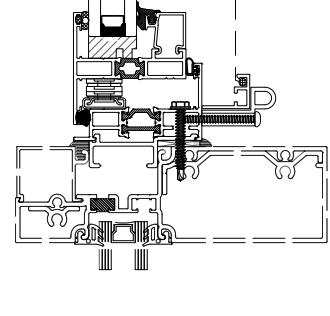
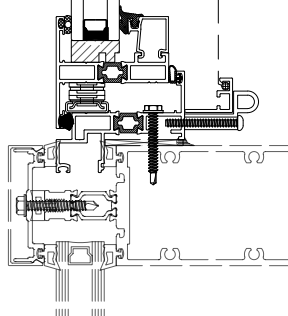
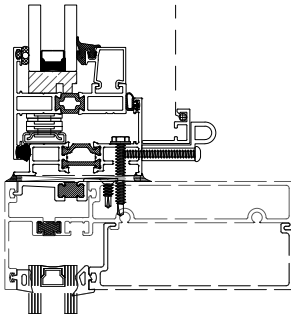
Curtain Wall Integration

Storefront Integration

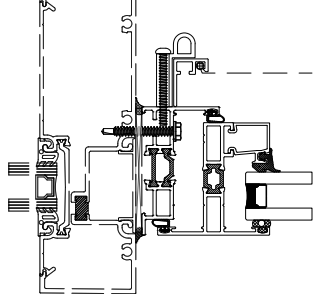
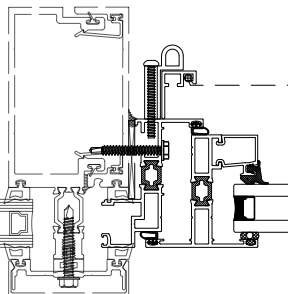
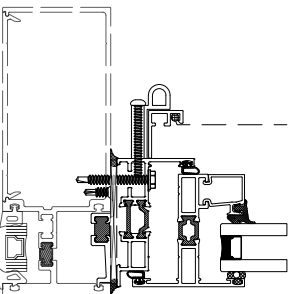
1



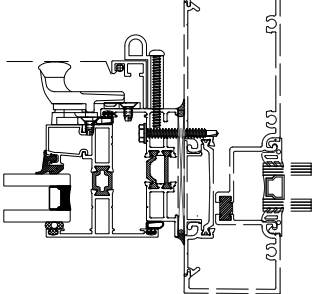
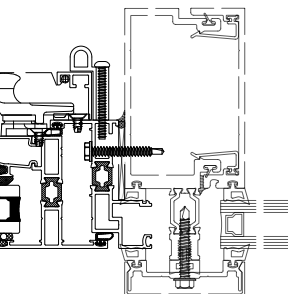
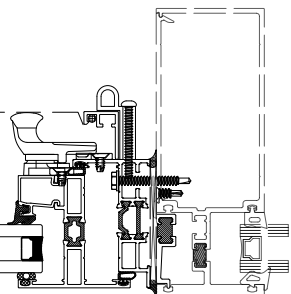
2



3



4



Standard Details
 1/4 scale

CASEMENT INFORMATION

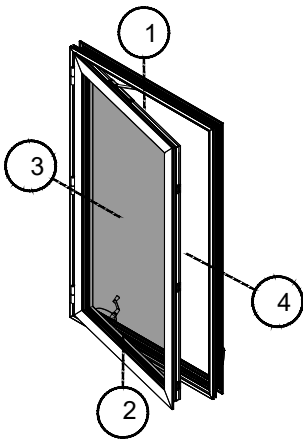
ROTO-MPL

| | |
|------------------------|---|
| *MIN DIMENSIONS | **16 5/8" x 21" [422 x 533] |
| *MAX DIMENSIONS | **35" x 62" [889 x 1575] or 27" x 80" [686 x 2032] |
| SCREEN | OPTIONAL |
| MAX OPENING | 6"-8" [152-203] |
| EGRESS | OPTIONAL |
| LIMITED OPENING | OPTION @ 4" [102] |
| CUSTODIAL LOCK | OPTIONAL |

Based on (DLO) dimensions

**Width/Height ratio exceeding 65% is not recommended

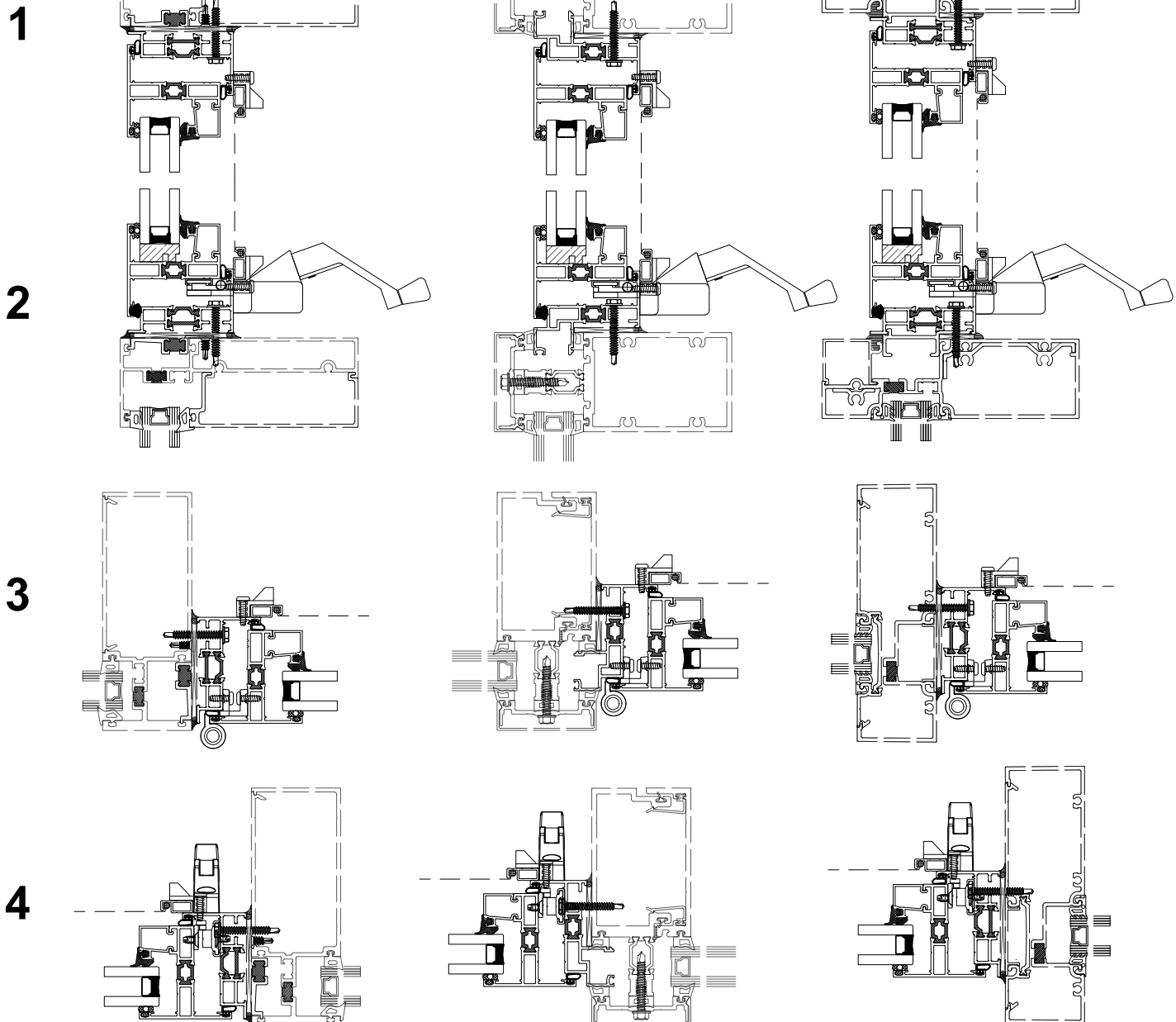
[] Dimensions in brackets are in [mm] millimeters



Window Wall Integration

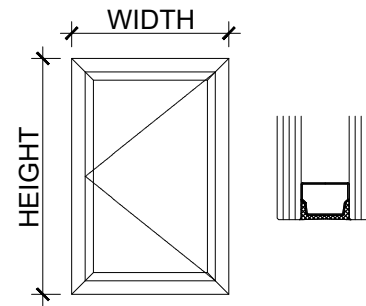
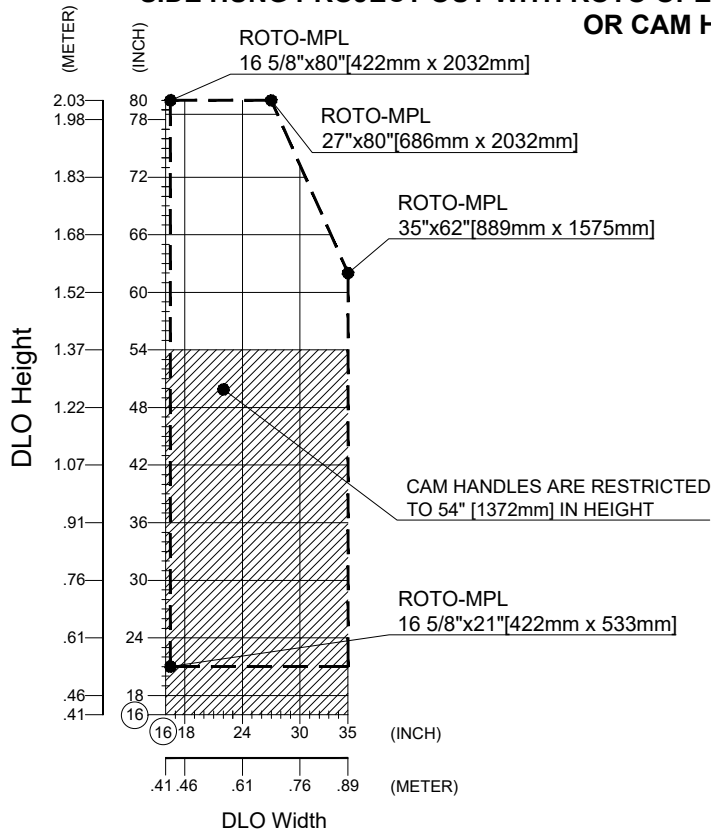
Curtain Wall Integration

Storefront Integration



Standard Details
1/4 scale

SIDE HUNG PROJECT OUT WITH ROTO OPERATOR & MULTIPOINT LOCKING HANDLE OR CAM HANDLE



BASED ON SETTING BLOCKS AT 6" (152.4mm) FROM CORNERS

Case ment Width Exceeding 65% of Height Is Not Recommended Consult Awning Charts

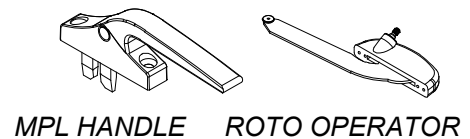
Charts are based upon an insulating glass unit infill of 1" [25.4mm] overall thickness comprised of 6mm glass/13mm gas fill/6mm glass

Using this chart:

- Ensure your largest maximum casement size falls within the above size limitation chart

MPL casement hardware includes the following:

- Silver, White or Black hardware finish
- One multipoint locking handle located on the lock side of the frame
- One ROTO Operator
- Two or three BUTT Hinges (as required)
- Glass stop for 1" [25.4mm] glazing
- Interior glazing spline



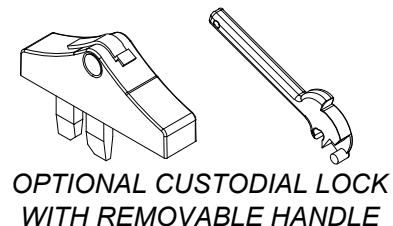
CAM HANDLE casement hardware includes the following:

- White Bronze handle finish
- One or two ring CAM handles (as required)
- One pair stainless steel friction arms
- Snubber set (as required)
- Glass stop for 1" [25.4mm] glazing
- Interior glazing spline



Optional extras (must be specified at time of ordering or quotation):

- Insect screen (fiberglass or aluminum mesh)
- Custodial lock with removable wrench used MPL hardware only.
- Sash limiters
- Hardware other than standard
- Egress Opening
- Glazing gasket for 1 1/16" [27mm] IGU



Standard Details
1/4 scale