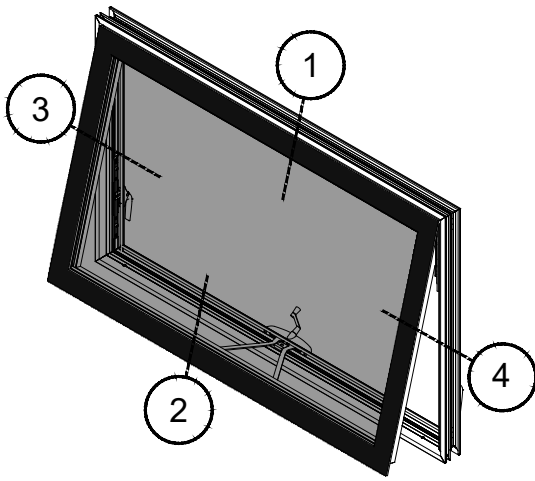


AWNING INFORMATION

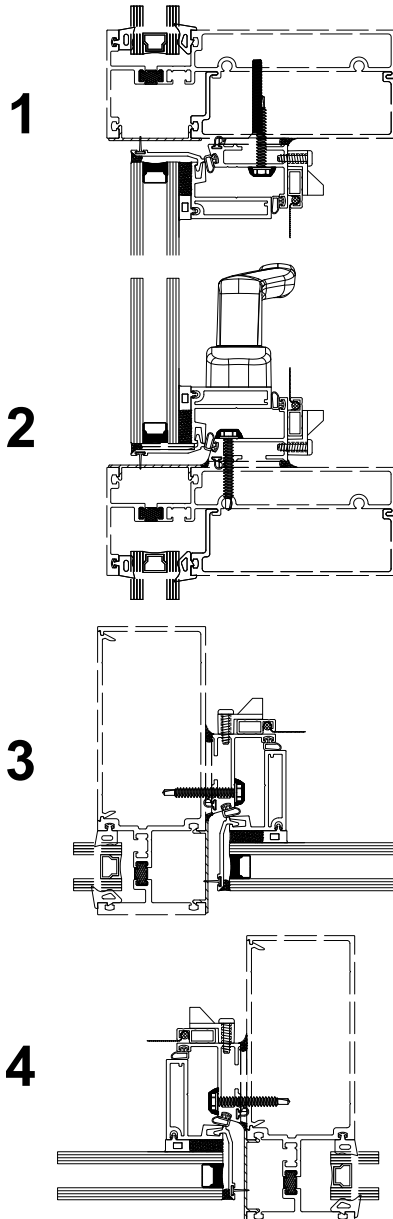


	MPL	ROTO-CLAW
*MIN DIMENSIONS	16" x 16" [406 x 406]	21" x 19" [533 x 483]
*MAX DIMENSIONS	60" x 36" [1524 x 914]	60" x 36", [1524 x 914]
SCREEN	OPT. (wicket)	OPTION
MAX OPENING	VARIES	3.00" < 31" W 8 1/4" > 31" W
LIMITED OPENING	OPTION @ 4" [102]	OPTION @ 4" [102]

*Based on (DLO) dimensions
[] Dimensions in brackets are in [mm] millimeters

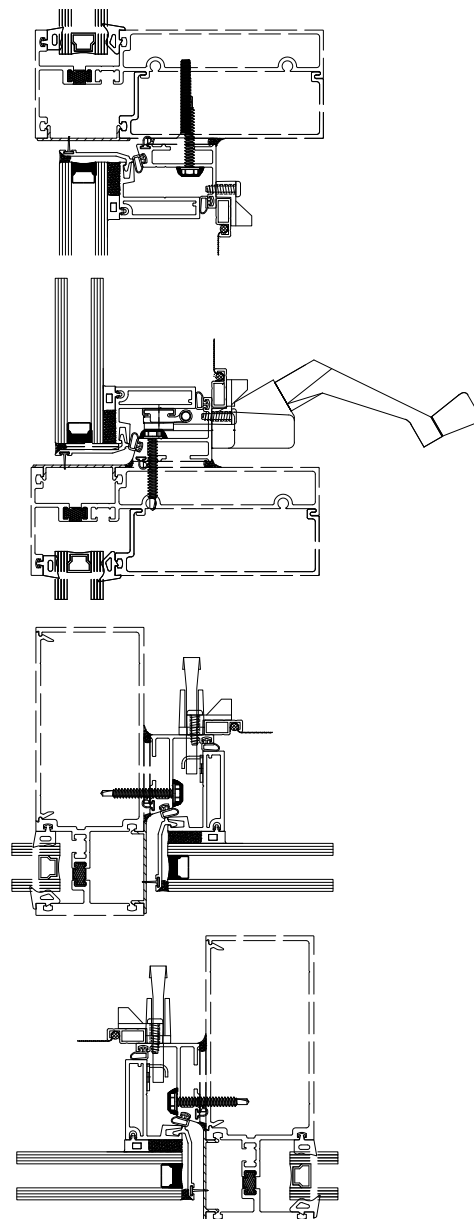
Window Wall Integration

(shown with MPL Handle)



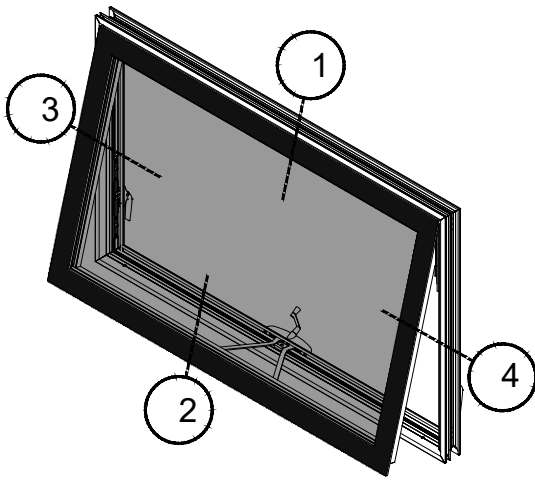
Window Wall Integration

(shown with ROTO-CLAW)



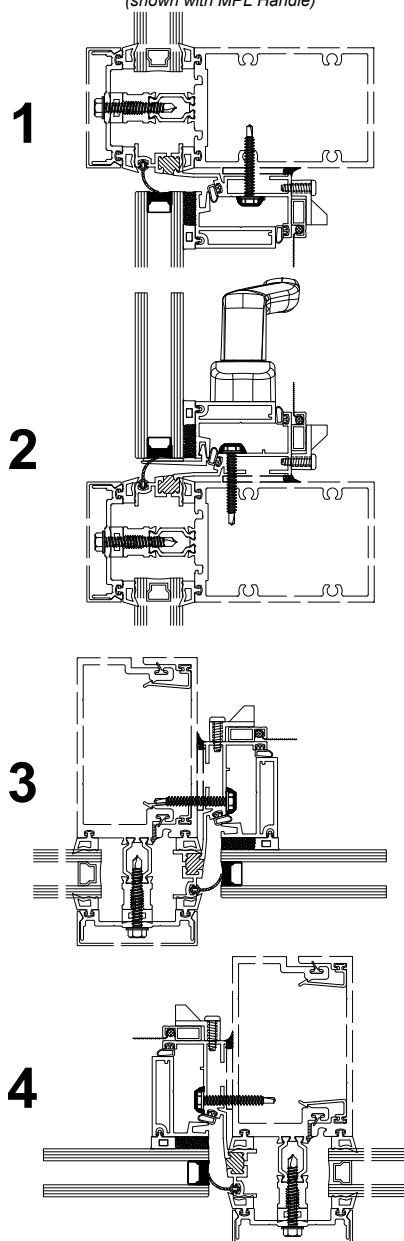
Standard Details
1/4 scale

AWNING INFORMATION

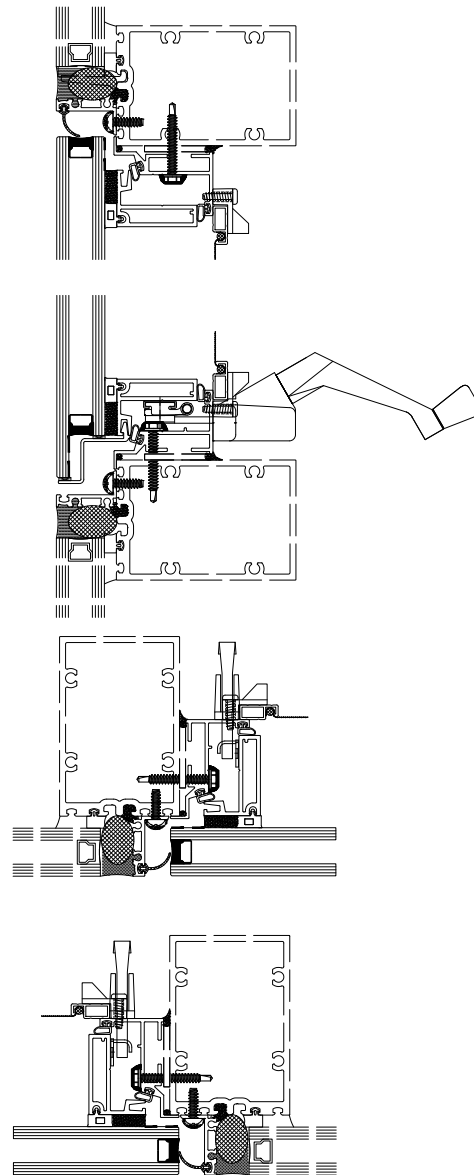


	MPL	ROTO-CLAW
*MIN DIMENSIONS	16" x 16" [406 x 406]	21" x 19" [533 x 483]
*MAX DIMENSIONS	60" x 36" [1524 x 914]	60" x 36", [1524 x 914]
SCREEN	OPT. (wicket)	OPTION
MAX OPENING	VARIES	3.00" < 31" W 8 1/4" > 31" W
LIMITED OPENING	OPTION @ 4" [102]	OPTION @ 4" [102]

**Curtain Wall
Captured Integration**
(shown with MPL Handle)

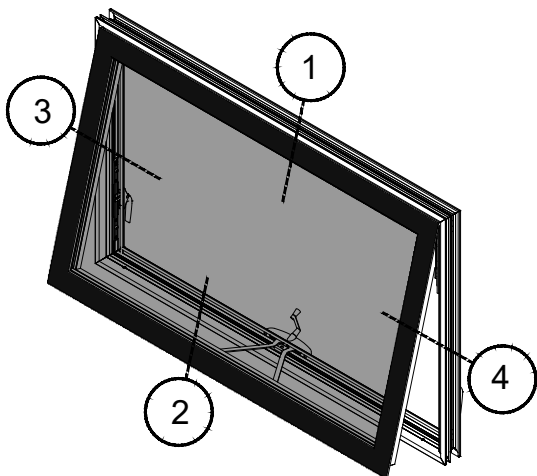


**Window Wall
SSG Integration**
(shown with ROTO CLAW)



Standard Details
1/4 scale

AWNING INFORMATION



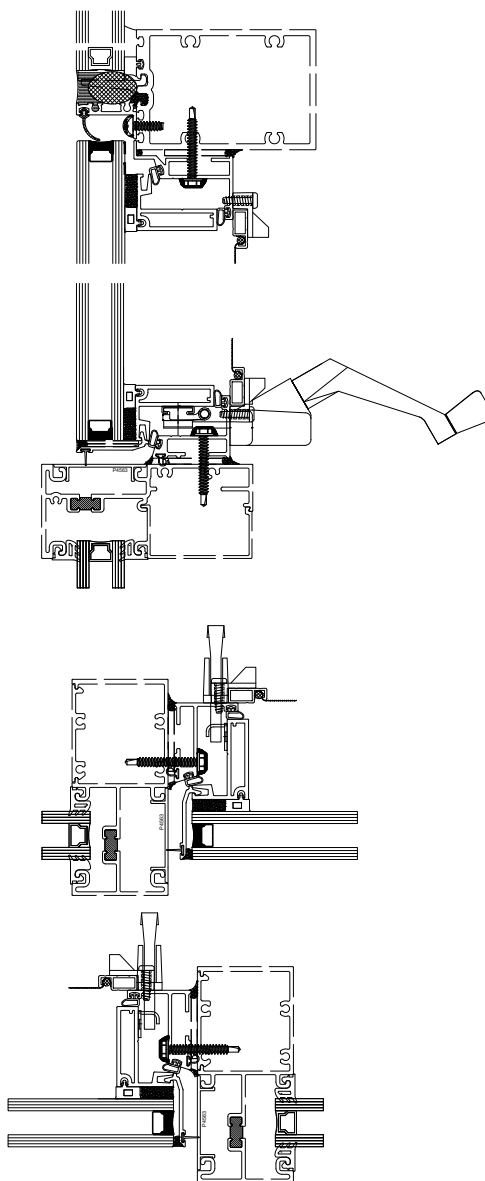
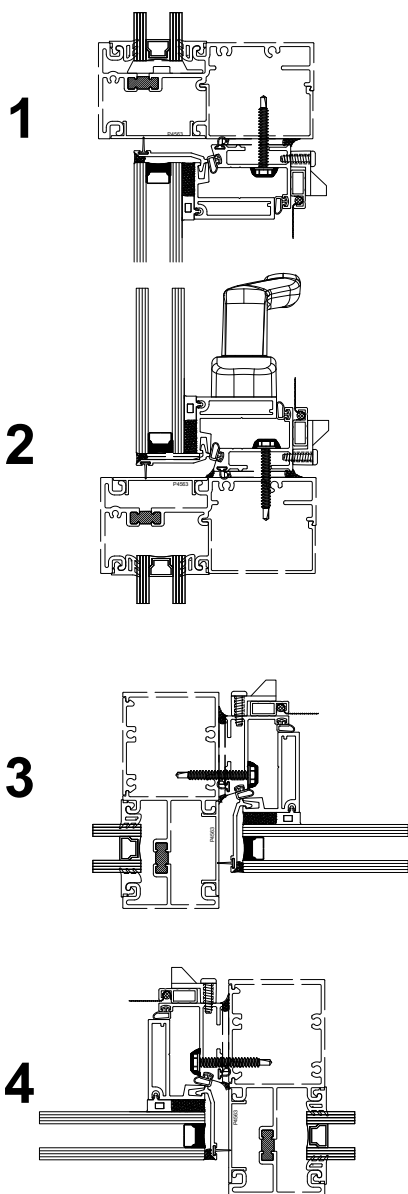
	MPL	ROTO-CLAW
*MIN DIMENSIONS	16" x 16" [406 x 406]	21" x 19" [533 x 483]
*MAX DIMENSIONS	60" x 36" [1524 x 914]	60" x 36", [1524 x 914]
SCREEN	OPT. (wicket)	OPTION
MAX OPENING	VARIES	3.00" < 31" W 8 1/4" > 31" W
LIMITED OPENING	OPTION @ 4" [102]	OPTION @ 4" [102]

Storefront Integration

(shown with MPL Handle)

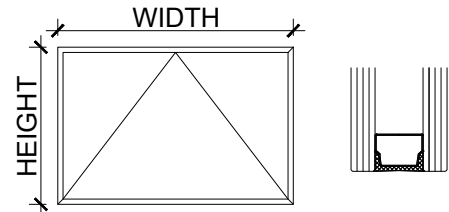
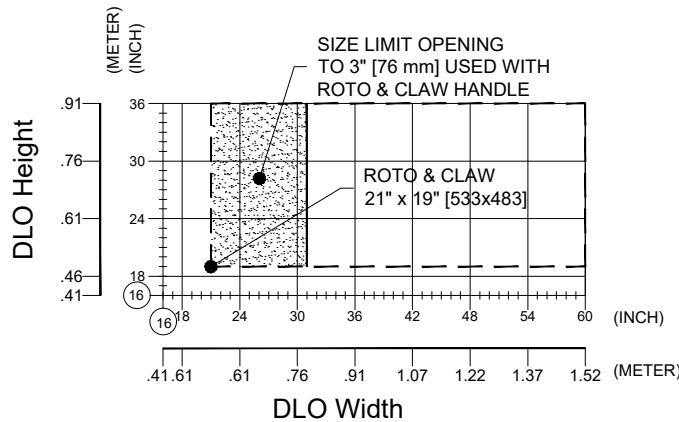
Storefront Integration

(shown with ROTO CLAW)



Standard Details
1/4 scale

**TOP HUNG PROJECT OUT WITH ROTO OPERATOR & CLAW HANDLE
OR MPL HANDLE**



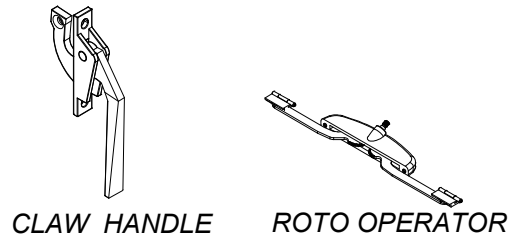
Charts are based upon an insulating glass unit infill of 1" [25.4mm] overall thickness comprised of 6mm glass/13mm gas fill/6mm glass

Using this chart:

- Ensure your largest maximum casement size falls within the above size limitation chart

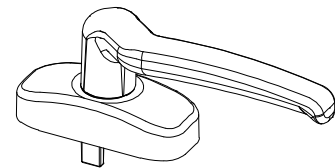
ROTO & CLAW HANDLE hardware includes the following:

- Minimum size 21" [533] x 19" [483]
- Silver, White or Black hardware finish
- One ROTO Operator & two CLAW locking handles
- One pair stainless steel friction arms
- Snubber set (as required)
- Glass surrounds (as required)



MPL HANDLE hardware includes the following:

- Minimum size 16" [406] x 16" [406]
- Silver, White or Black handle finish
- One multipoint locking handle centered on the sill of the sash
- One pair stainless steel friction arms
- Snubber set (as required)
- Glass surrounds (as required)



MPL HANDLE

Optional extras (must be specified at time of ordering or quotation):

- Insect screen (fiberglass or aluminum mesh)
- Sash limiters
- Hardware other than standard

Standard Details
1/4 scale