

INT14

INT14 Interior Flush Glaze Framing allows easy incorporation of standard aluminum storefront with metal stud and drywall systems commonly used in commercial office and retail space. Multiple configurations for installing the aluminum frames either before or after the drywall (completely covering the end of the stud wall) as well as free-standing are available.

Standard swing doors and frames provide a complete system and come in 8 standard anodize and 19 standard paint finishes. Gaskets for glass thicknesses from 1/4" to 3/4" (1/2" standard) are available in black or grey as desired. There is also an option for use of recycled aluminum on the storefront members (excludes doors and door frames).

This is a flush glazed interior storefront system accommodating most configurations, 90°, 180° and "T" post mullion/corner options. Rotational mullion option is also available, this system also allows for "butt" glazed details in both storefront and channel configurations.



**Standard Narrow
Stile Entrances**



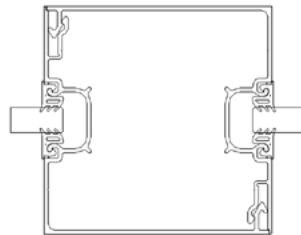
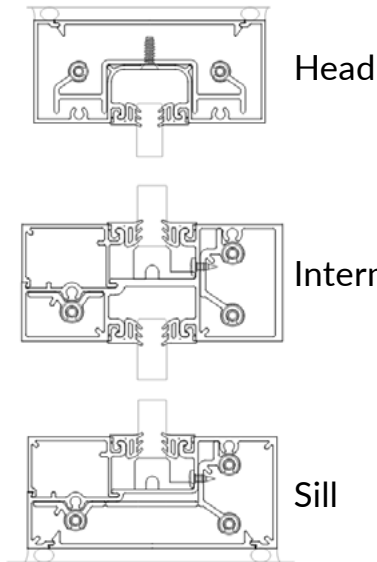
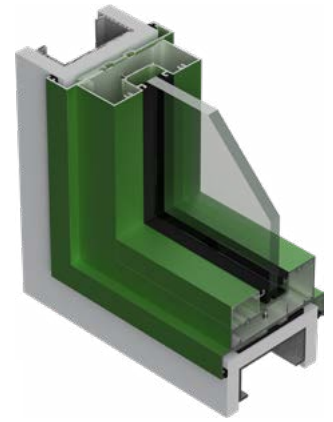
**Standard Medium
Stile Entrances**

**ALSO
USED
WITH**

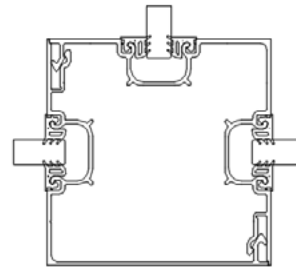
TUBELITE®
DEPENDABLE

LEADERS IN ECO-EFFICIENT STOREFRONT,
CURTAINWALL AND ENTRANCE SYSTEMS

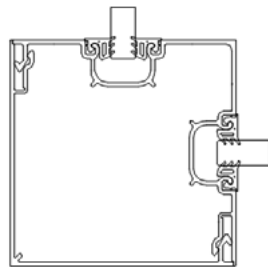
INT14



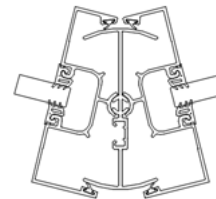
180° Post



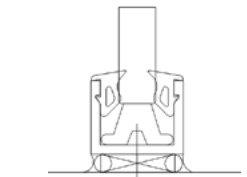
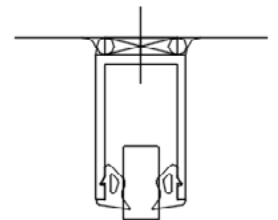
3-Way "T" Post



90° Post



Rotational Mullion



Channel Option

System Features & Expected Performance

- Designed with ½" glazing as standard with no need for adaptors for different thickness glazing.
- Wide range of glazing infill options available:
- Full flush glazed interior storefront system accommodating most configurations, 90°, 180° and "T" post mullion/corner options. Rotational mullion option also available.
- Able to be "butt" glazed in both storefront and channel configurations.
- Compatible with 4500 and 14000 series (1-3/4" x 4-1/2" and 2" x 4-1/2") door frames.
- Slick tube Header option for Glass doors (by others) available.
- "Channel" style Head (1-1/4" x 2") and Sill (1-1/4" x 1") optional components available.
- Allows for wider array of glazing for greater acoustic performance (Tested standard thickness ½" Lami-glass to STC=34, and OITC=32).
- Available in recycled content "Ecoluminum®" extrusions.

DISCLAIMER: Tubelite takes no responsibility for product selection or application, including, but not limited to, compliance with building codes, safety codes, laws, merchantability or fitness for a particular purpose; and further disclaims all liability for the use, in whole or in part, of this Technical Guide in preparation of project specifications and/or other documents. Technical Guides are subject to change at any time, without notice, and at Tubelite's sole discretion. ©2024 Tubelite

040620