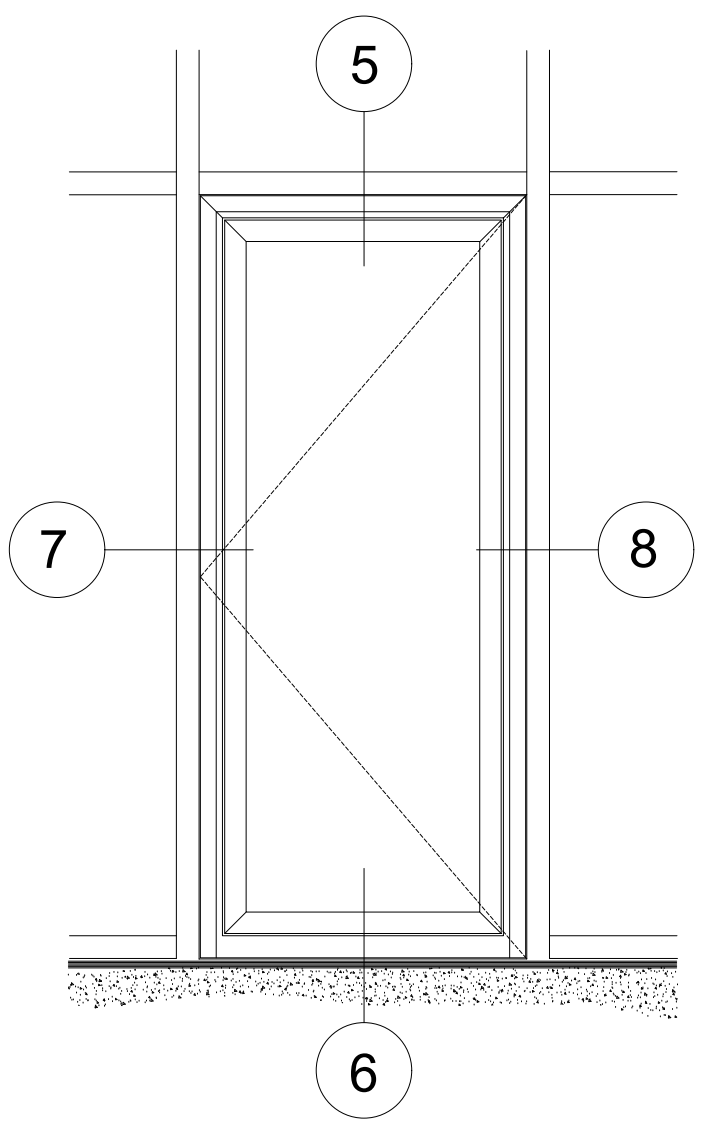
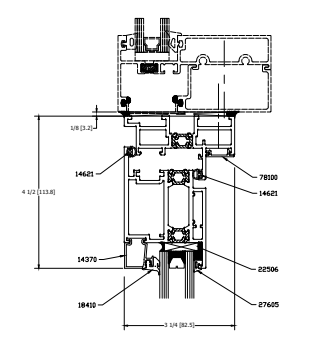


OUTSWING ELEVATION

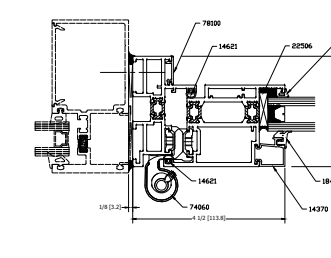


INSWING ELEVATION

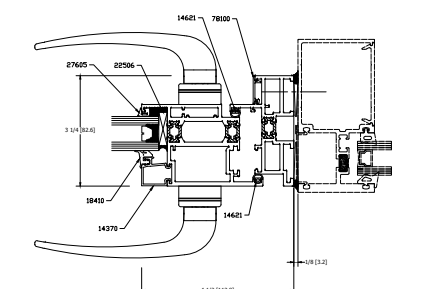
FLATBACK INSTALLATION



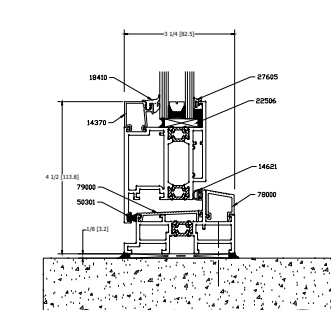
1
112.1
STANDARD
DS HEAD FLAT



3
112.3
STANDARD
DS HINGE JAMB FLAT

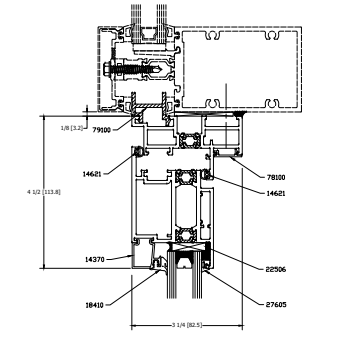


4
112.4
STANDARD
DS LOCK JAMB FLAT

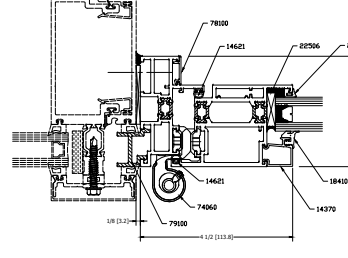


2
112.2
STANDARD
DS SILL

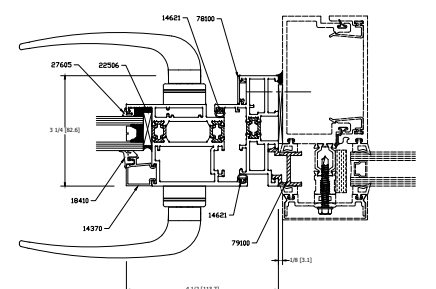
CAPTURED INSTALLATION



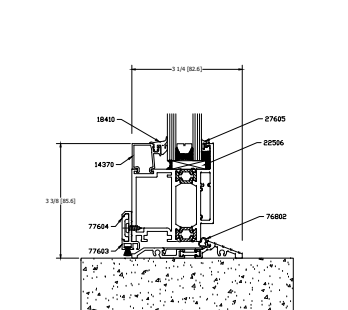
1A
112.1A
OPTIONAL
DS HEAD CAPTURED



3A
112.3A
OPTIONAL
DS HINGE JAMB CAPTURED

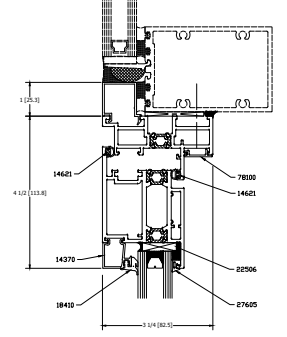


4A
112.4A
OPTIONAL
DS LOCK JAMB CAPTURED

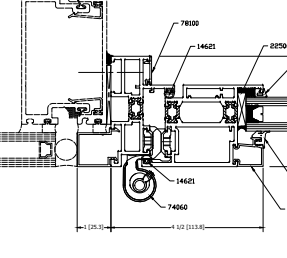


2A
112.2A
OPTIONAL
DS accessible SILL
12psf WATER ONLY

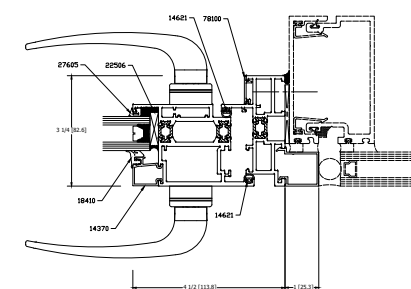
SSG INSTALLATION



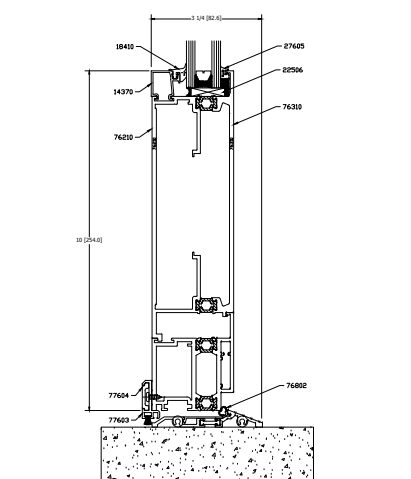
1B
112.1B
OPTIONAL
DS HEAD SSG



3B
112.3B
OPTIONAL
DS HINGE JAMB SSG

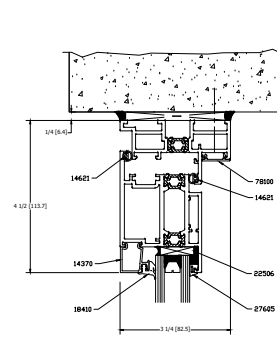


4B
112.4B
OPTIONAL
DS LOCK JAMB SSG

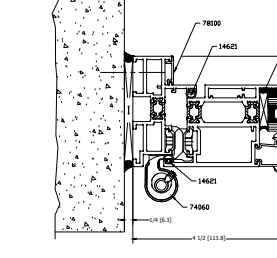


2B
112.2B
OPTIONAL
DS accessible SILL

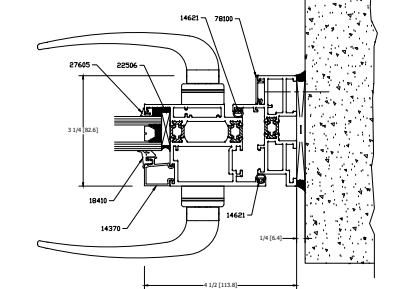
STAND ALONE INSTALLATION



1C
112.1C
OPTIONAL
DS HEAD

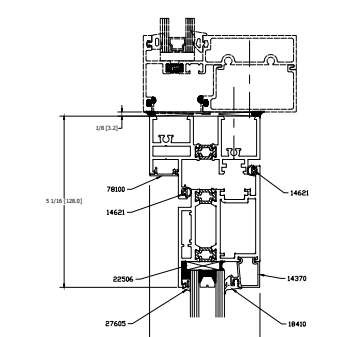


3C
112.3C
OPTIONAL
DS HINGE JAMB

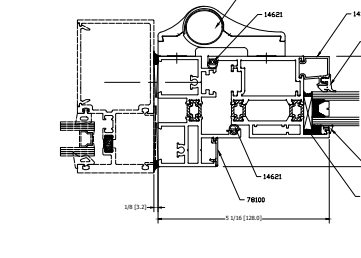


4C
112.4C
OPTIONAL
DS LOCK JAMB

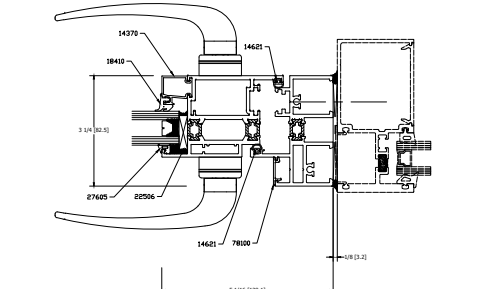
FLATBACK INSTALLATION



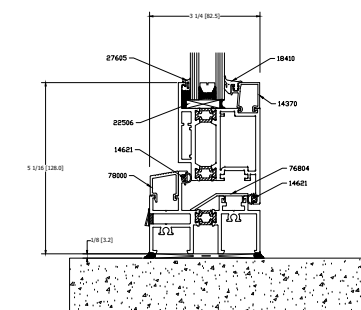
5
112.5
STANDARD
IS HEAD FLAT



7
112.7
STANDARD
IS HINGE JAMB FLAT

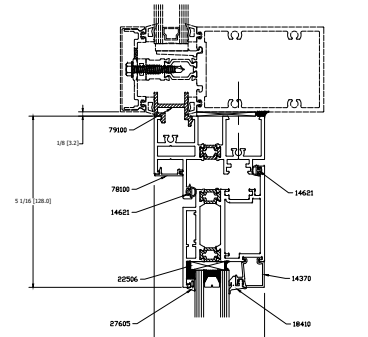


8
112.8
STANDARD
IS LOCK JAMB FLAT

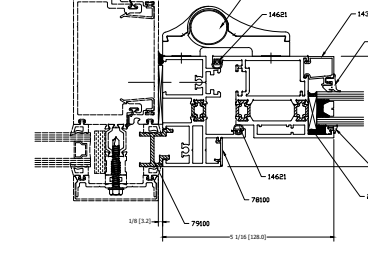


6
112.6
STANDARD
IS SILL

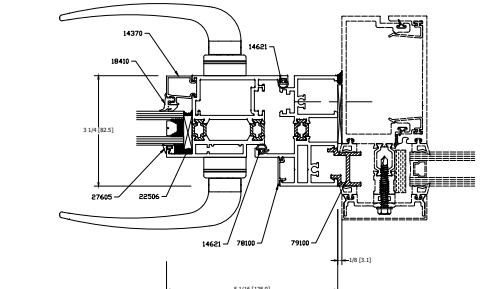
CAPTURED INSTALLATION



5A
112.5A
OPTIONAL
IS HEAD CAPTURED

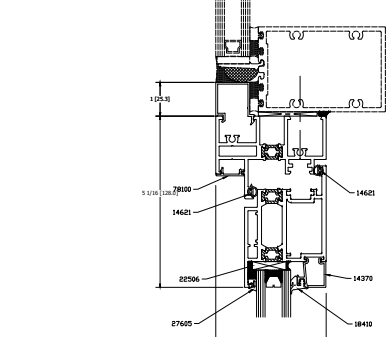


7A
112.7A
OPTIONAL
IS HINGE JAMB CAPTURED

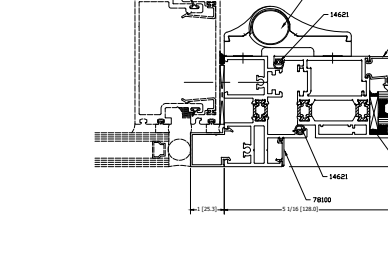


8A
112.8A
OPTIONAL
IS LOCK JAMB CAPTURED

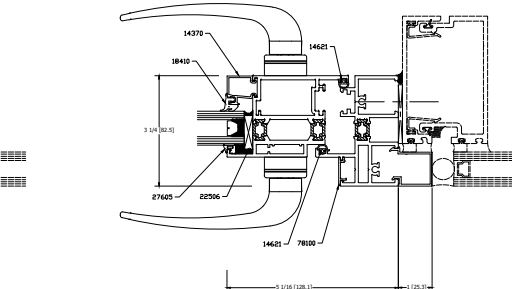
SSG INSTALLATION



5B
112.5B
OPTIONAL
IS HEAD SSG

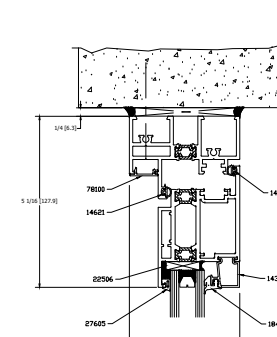


7B
112.7B
OPTIONAL
IS HINGE JAMB SSG

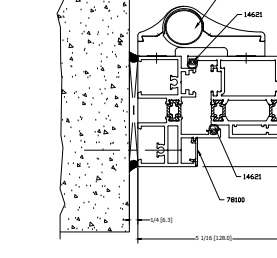


8B
112.8B
OPTIONAL
IS LOCK JAMB SSG

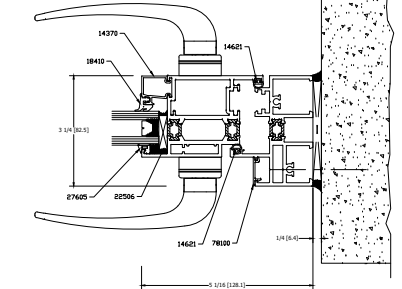
STAND ALONE INSTALLATION



5C
112.5C
OPTIONAL
IS HEAD



7C
112.7C
OPTIONAL
IS HINGE JAMB



8C
112.8C
OPTIONAL
IS LOCK JAMB

OUT-SWING

IN-SWING

TERRAPORTE 7600 SERIES

TERRAPORTE 7600 SERIES PERIMETER SHEET
S:\Engineering\ENGINEERING DRAWINGS\Details\112) TerraPorte Doors

REV	DATE	DESCRIPTION	BY
03/22/2017		RELEASE FOR REVIEW	JPK
1	02/07/23	MM CONVERSION AND LOGO UPDATE	BKR
2	Dec. 07, 2023	ADDED OPTIONAL 10" BOTTOM RAIL PER RTS#5213	XPC



Last Revised: 02/07/2023