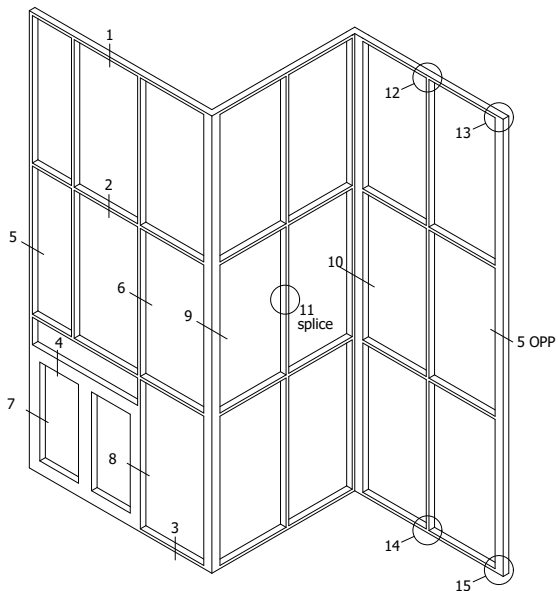
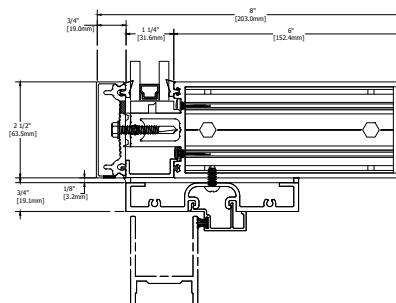
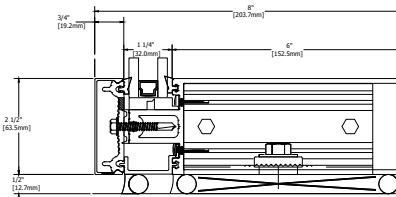
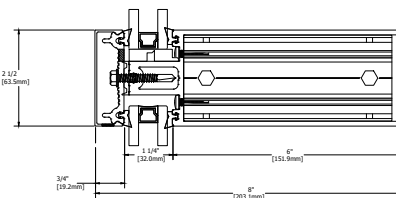
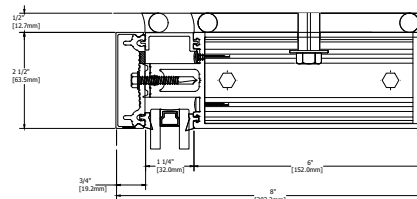


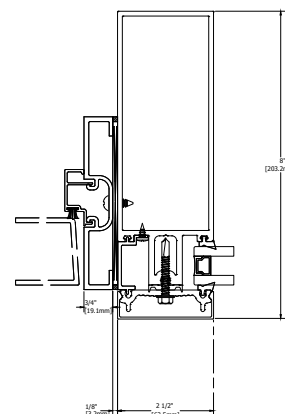
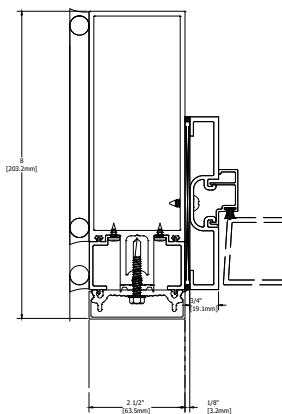
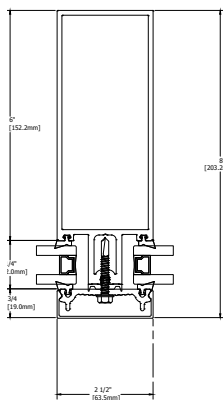
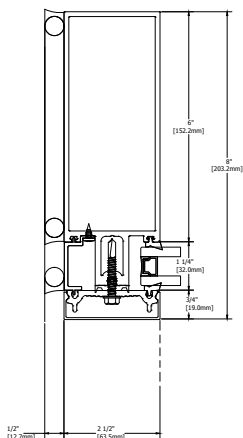
400CW 8.0" Sys Depth, 6.0" Back Mem Therm CT PP



TYPICAL ELEVATION



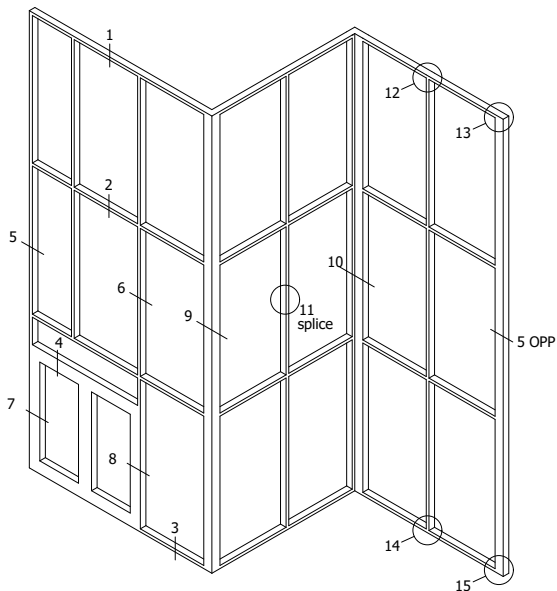
HORIZONTAL DETAILS



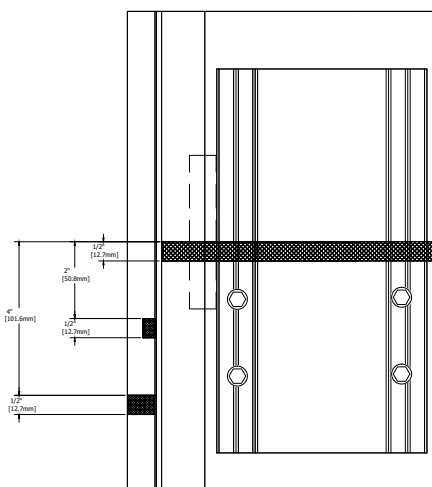
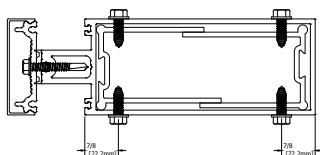
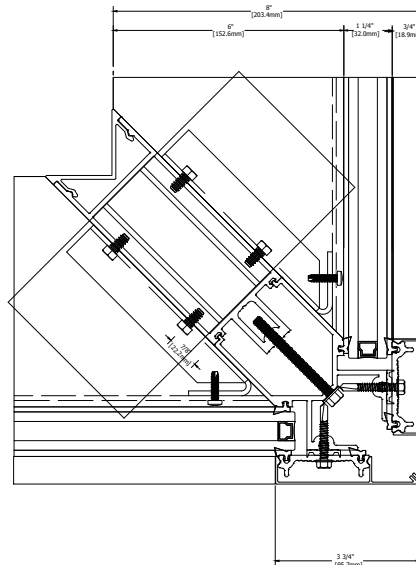
VERTICAL DETAILS

Standard Details
1/5 scale

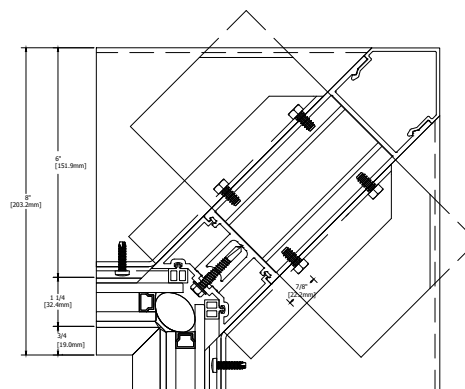
400CW 8.0" Sys Depth, 6.0" Back Mem Therm CT PP



TYPICAL ELEVATION

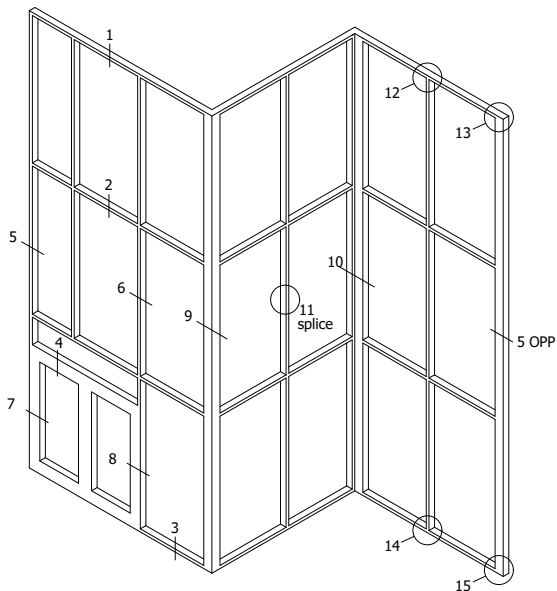


SPLICE DETAILS

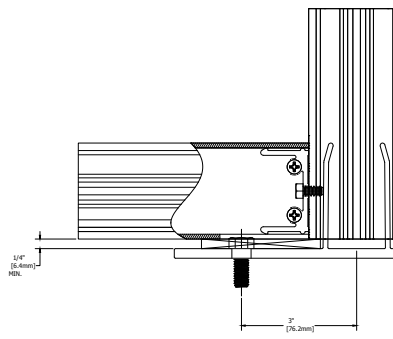
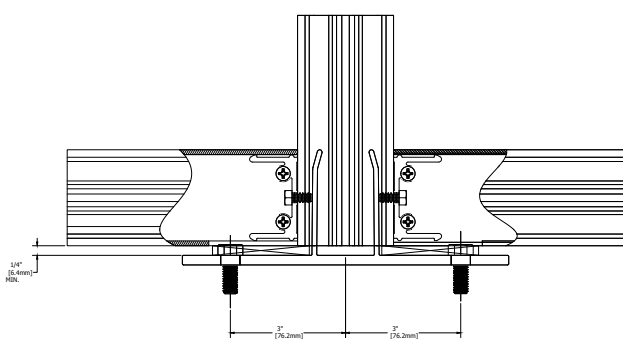
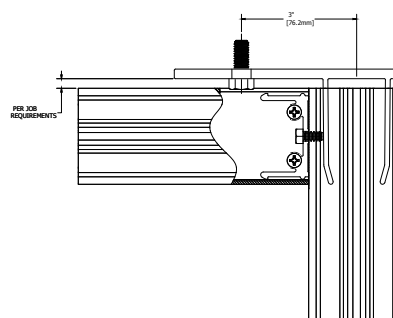
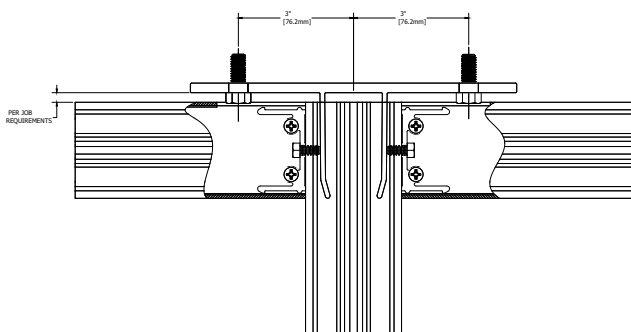


VERTICAL DETAILS

Standard Details
1/5 scale



TYPICAL ELEVATION



ANCHOR DETAILS

Standard Details
1/5 scale