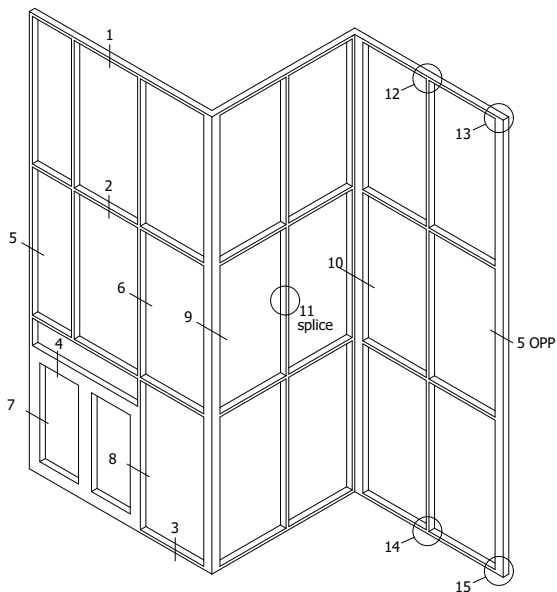
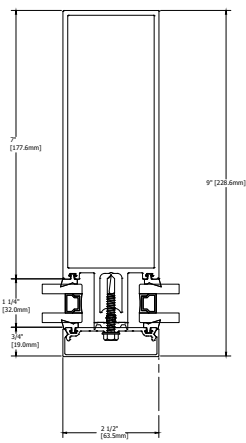
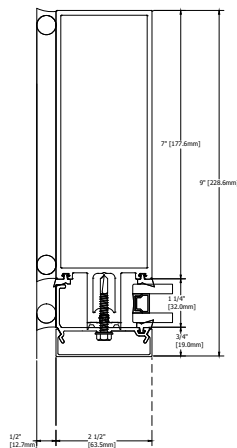
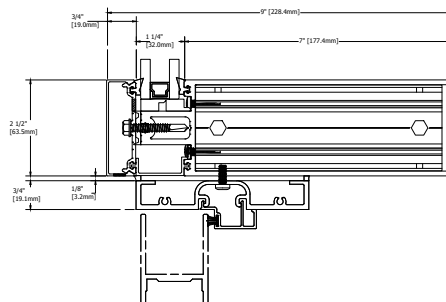
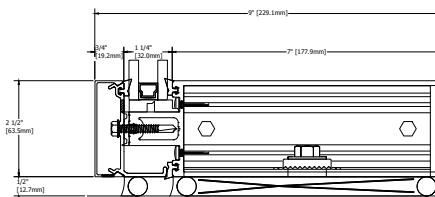
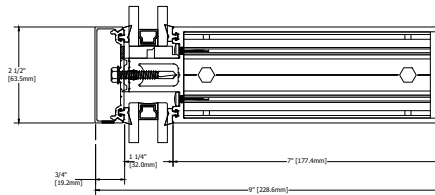
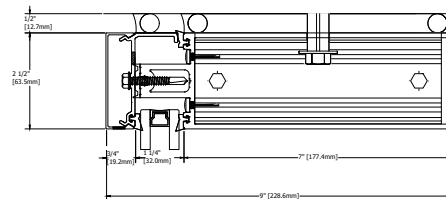


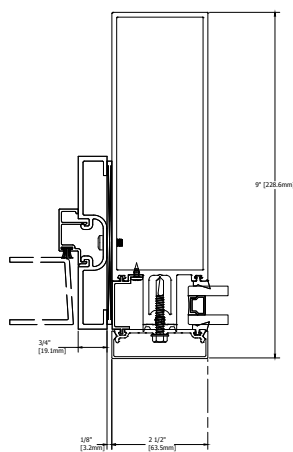
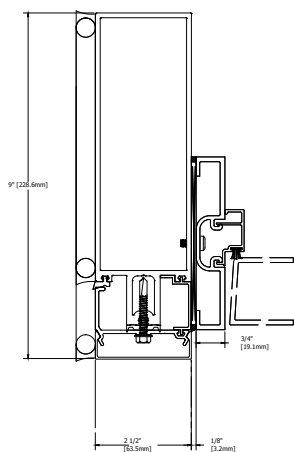
400CW 9.0" Sys Depth, 7.0" Back Mem Alum CT PP



TYPICAL ELEVATION

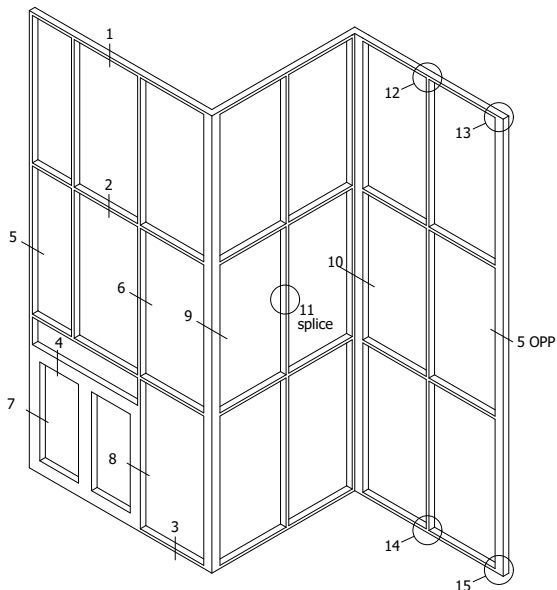


HORIZONTAL DETAILS

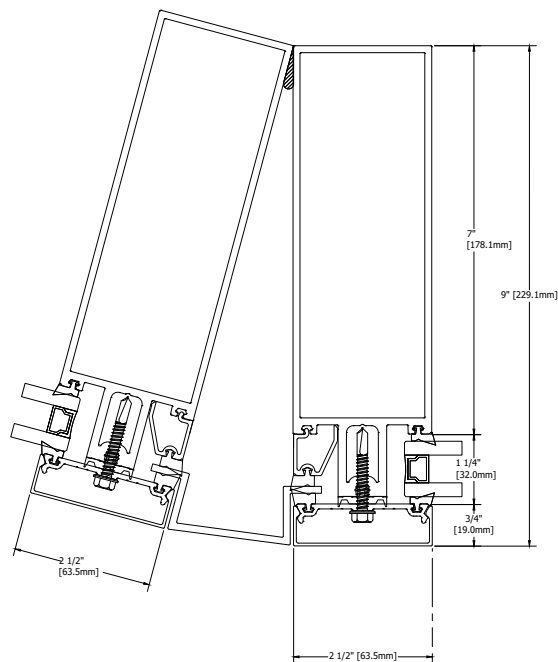


VERTICAL DETAILS

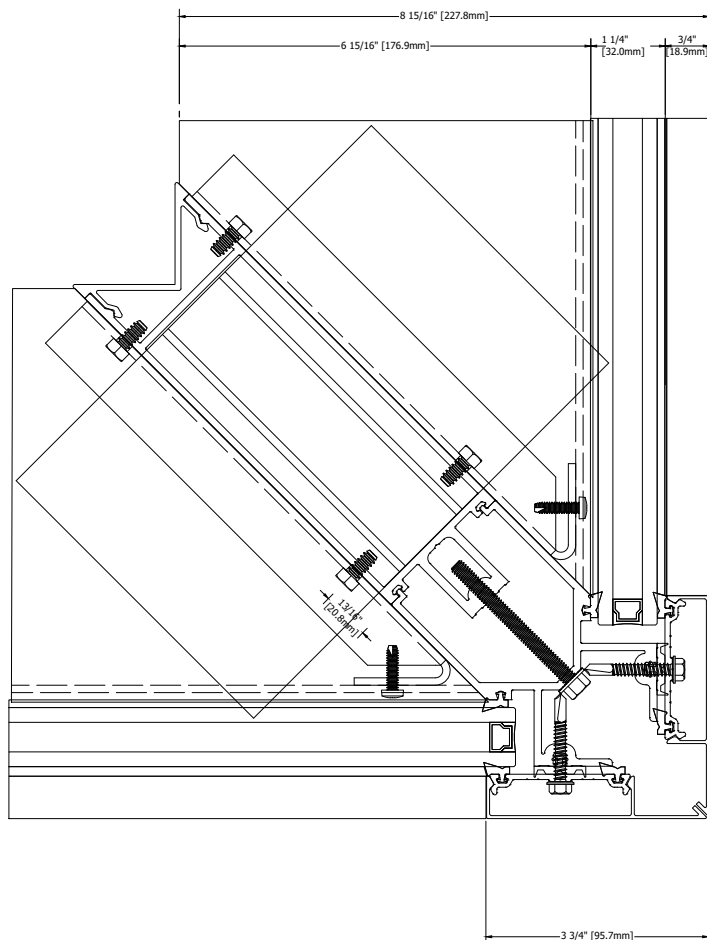
Standard Details
1/5 scale



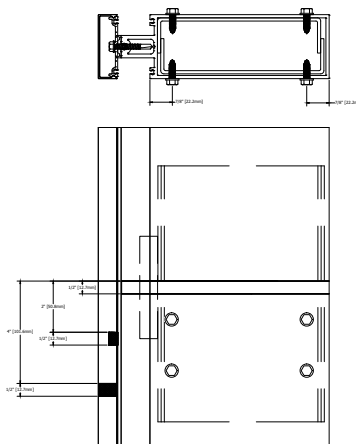
TYPICAL ELEVATION



VERTICAL DETAILS

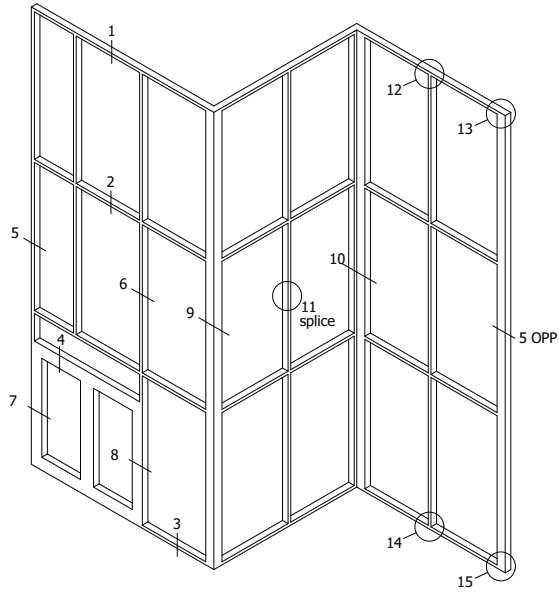


VERTICAL DETAILS

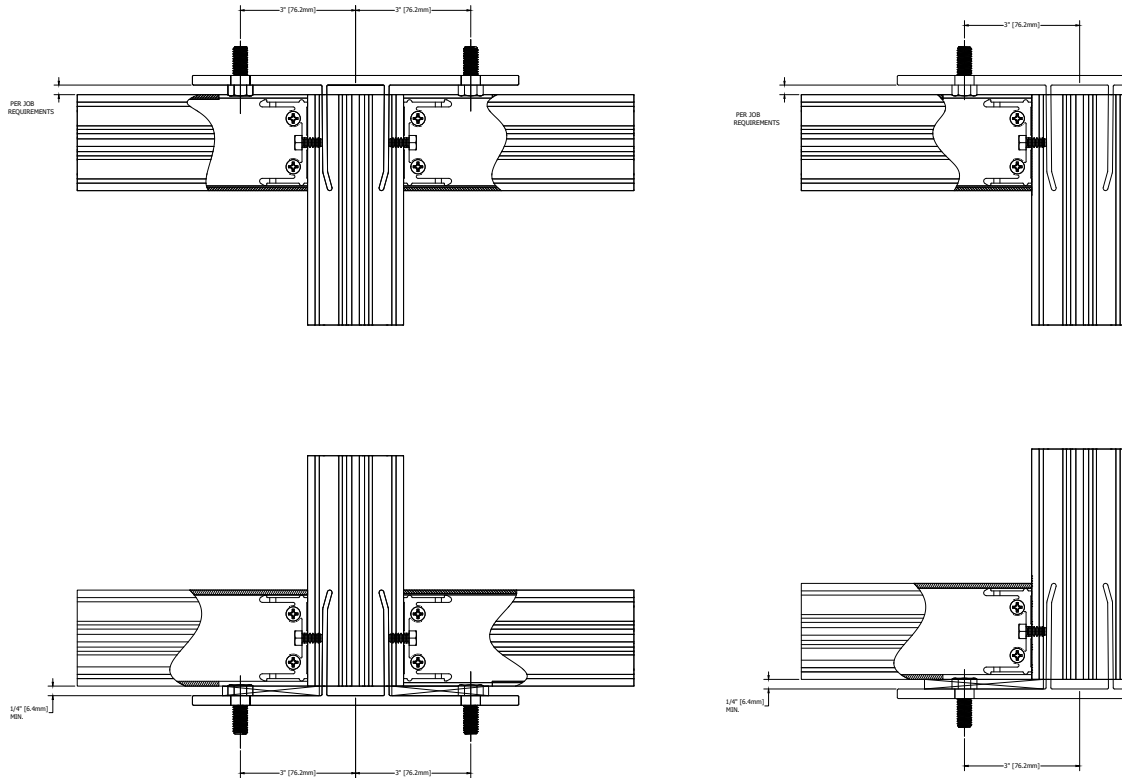


SPLICE DETAILS

Standard Details
1/5 scale



TYPICAL ELEVATION



ANCHOR DETAILS

Standard Details
1/5 scale