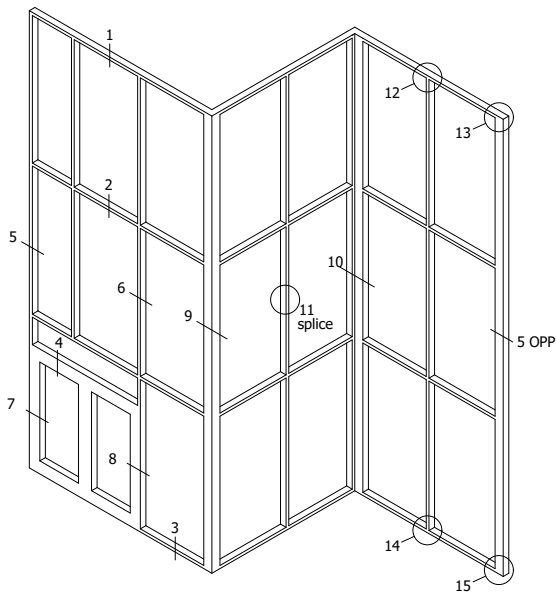
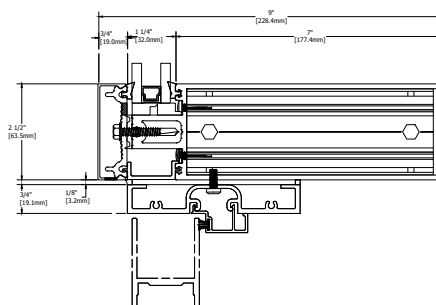
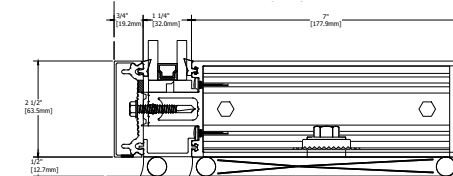
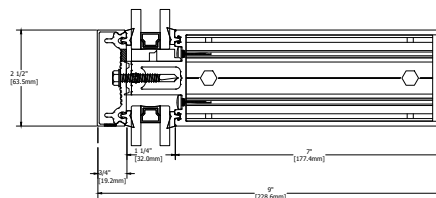
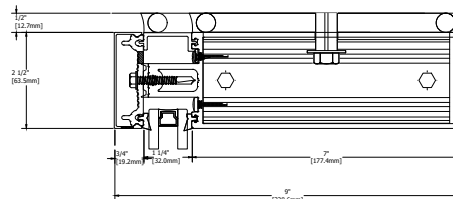


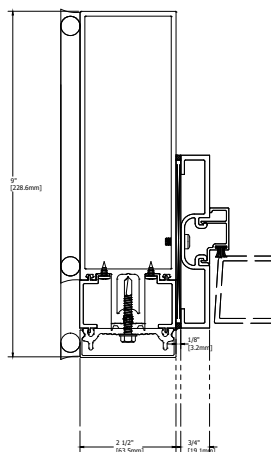
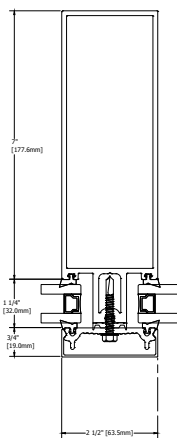
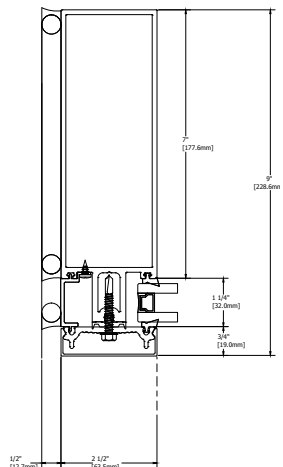
# 400CW 9.0" Sys Depth, 7.0" Back Mem Therm CT PP



TYPICAL ELEVATION

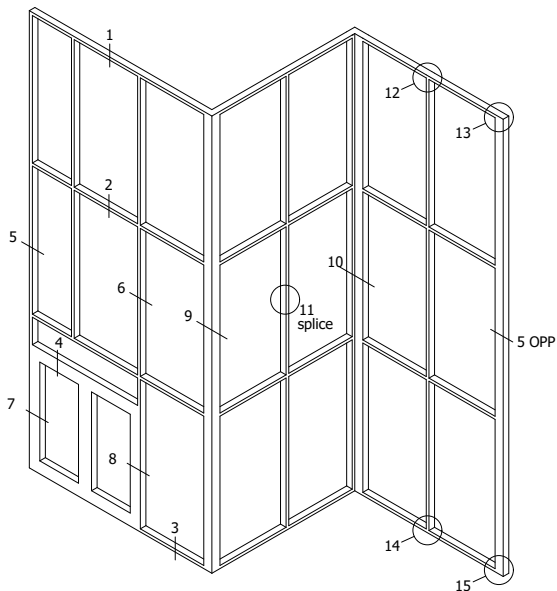


HORIZONTAL DETAILS

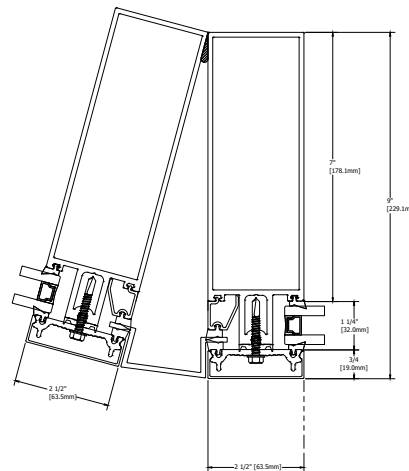
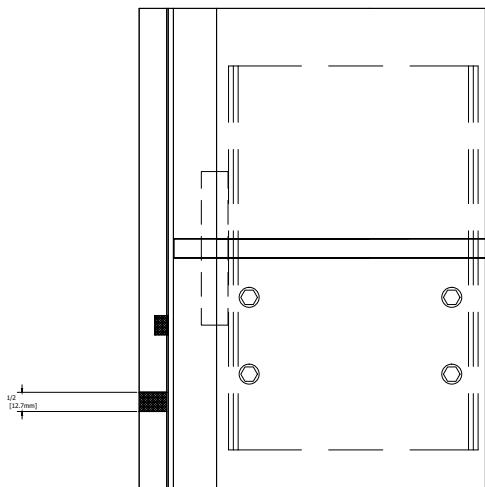
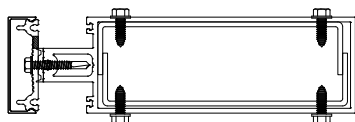
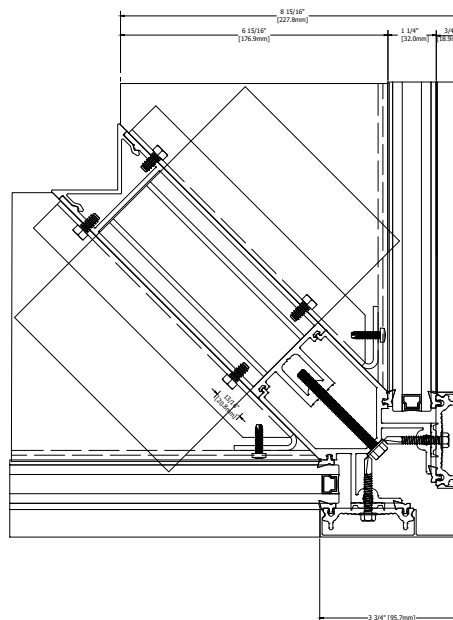


VERTICAL DETAILS

Standard Details  
1/5 scale



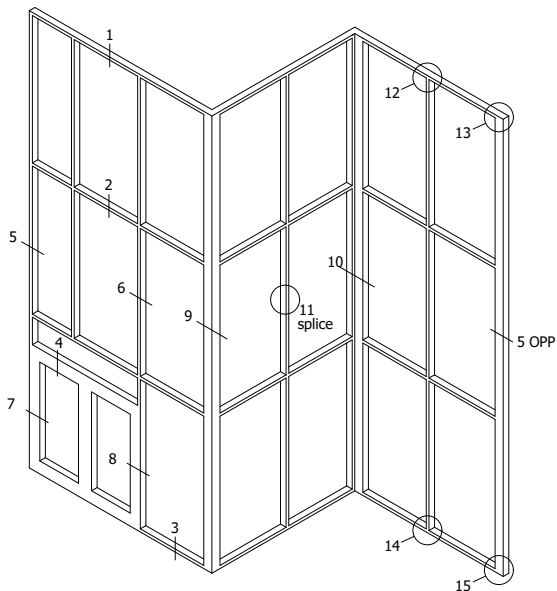
TYPICAL ELEVATION



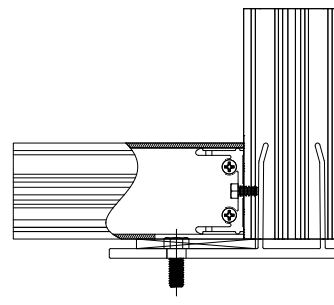
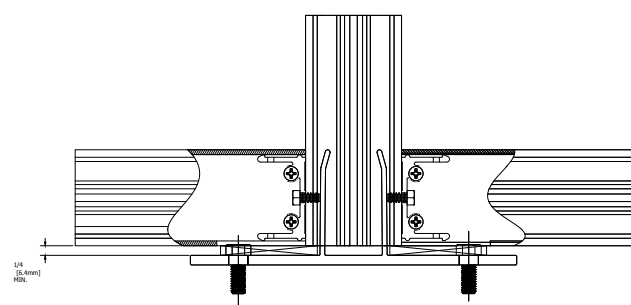
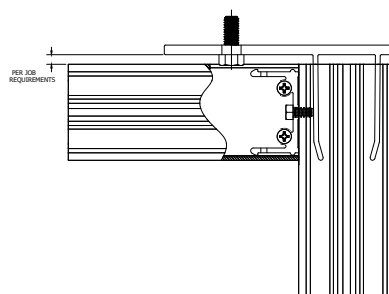
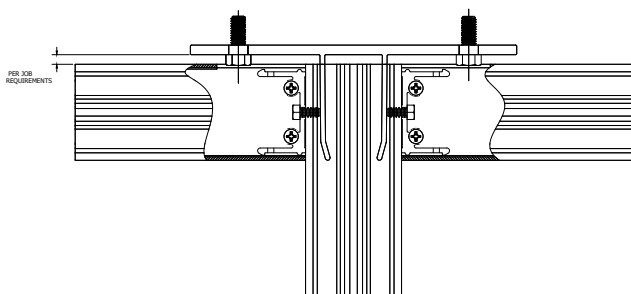
SPLICE DETAILS

VERTICAL DETAILS

Standard Details  
1/5 scale



TYPICAL ELEVATION



ANCHOR DETAILS

Standard Details  
1/5 scale