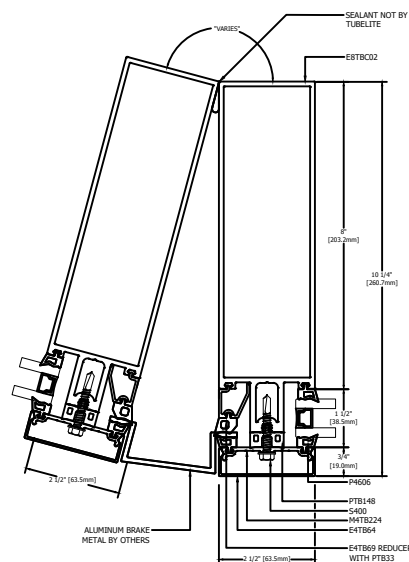


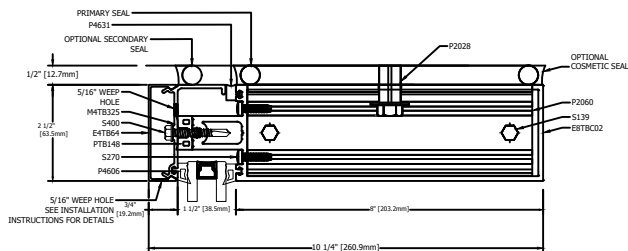
TYPICAL ELEVATION
400T SERIES

400T SERIES CURTAIN WALL PERIMETER SHEET
10.25" SYSTEM DEPTH, 8.0" BACK MEMBER

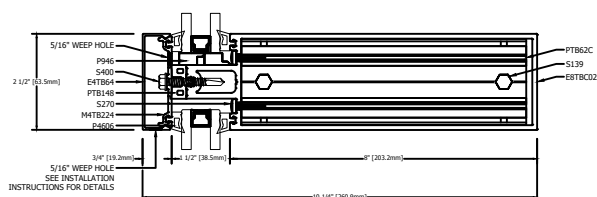


10
STANDARD
SPLYED VERTICAL CORNER

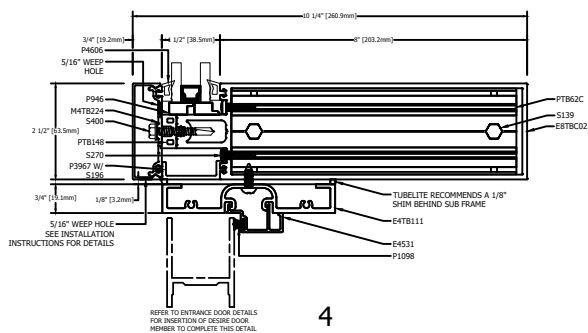
VERTICAL DETAILS



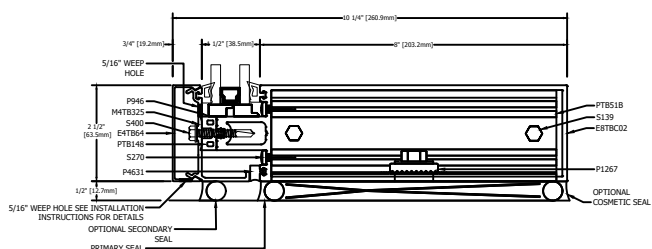
1
STANDARD
HEAD



2
STANDARD
TUBULAR INTERMEDIATE
HORIZONTAL



4
STANDARD
TRANSOM WITH SUB-FRAME
AND PVC FILLER

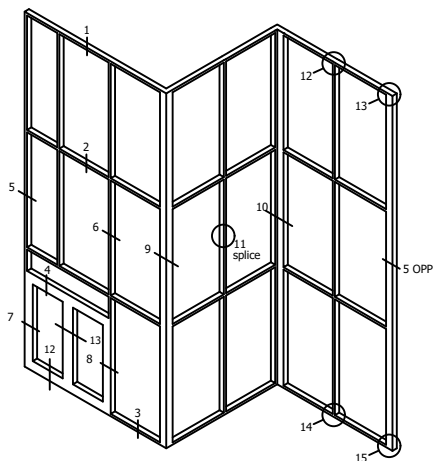


3
STANDARD
TUBULAR SILL

HORIZONTAL DETAILS

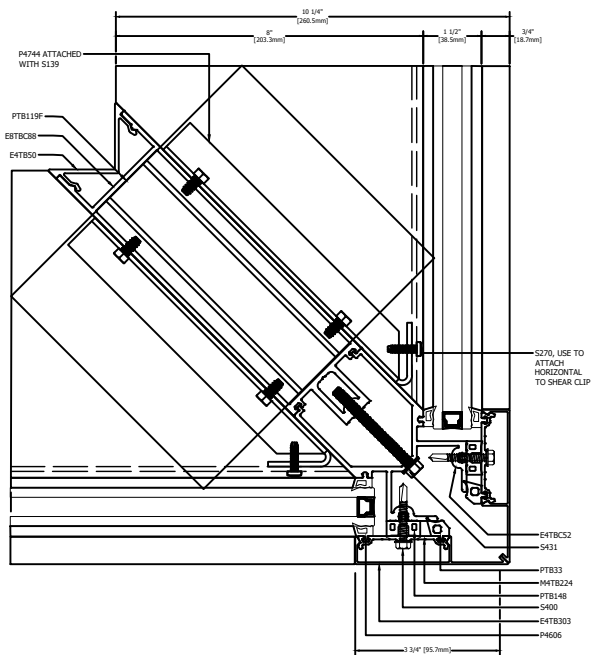
Standard Details
1/5 scale

September 2022

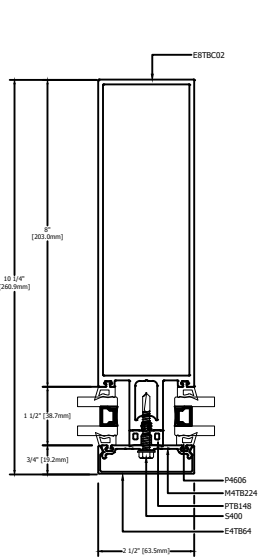


TYPICAL ELEVATION
400T SERIES

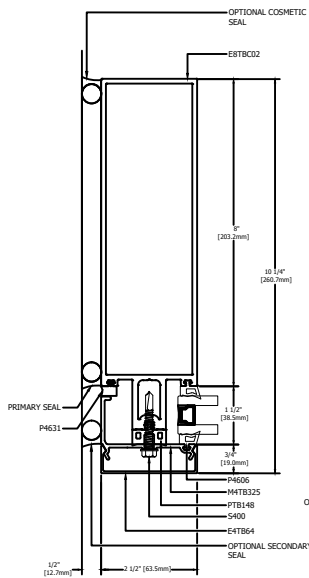
400T SERIES CURTAIN WALL
PERIMETER SHEET
10 CELL SYSTEM DETAIL 8" O.D. BACK MEMBER



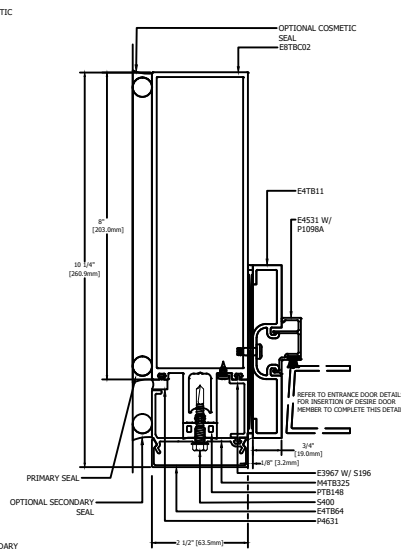
9
STANDARD
90° OUTSIDE CAPTURED CORNER



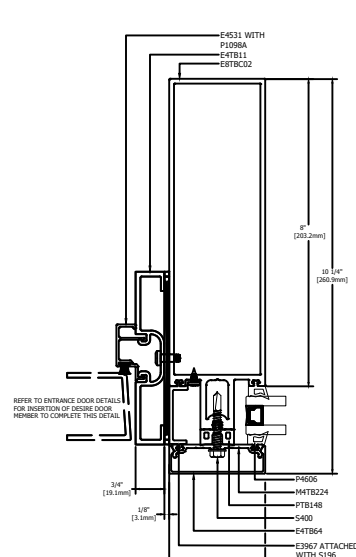
6
STANDARD
INTERMEDIATE VERTICAL



5
STANDARD
TUBULAR JAMB



7
STANDARD
DOOR JAMB AT PERIMETER PRESSURE
PLATE W/ PVC POCKET CLOSER

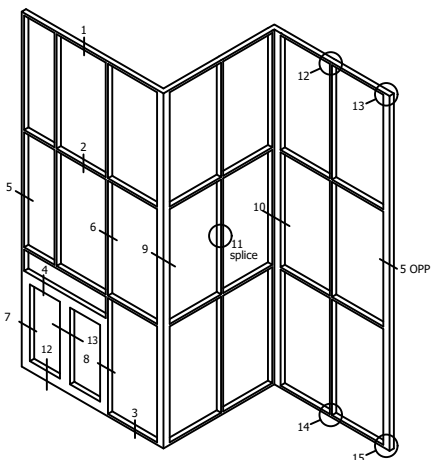


8
STANDARD
DOOR JAMB AT SIDELITE W/
PVC POCKET CLOSER

VERTICAL DETAILS

Standard Details
1/5 scale

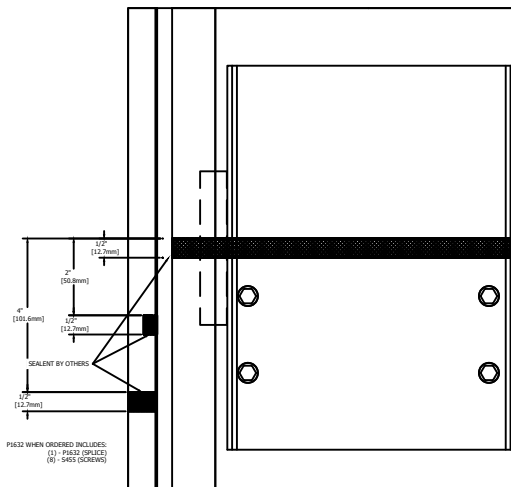
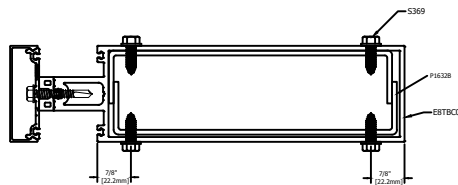
September 2022



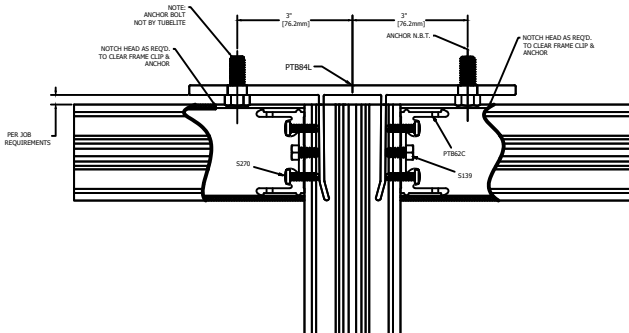
TYPICAL ELEVATION

400T SERIES

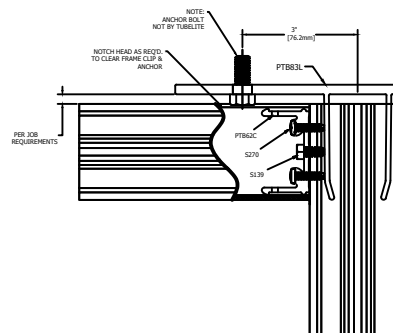
400T SERIES CURTAIN WALL PERIMETER SHEET
10.25" SYSTEM DEPTH, 8.0" BACK MEMBER ALUMINUM PRESSURE PLATE



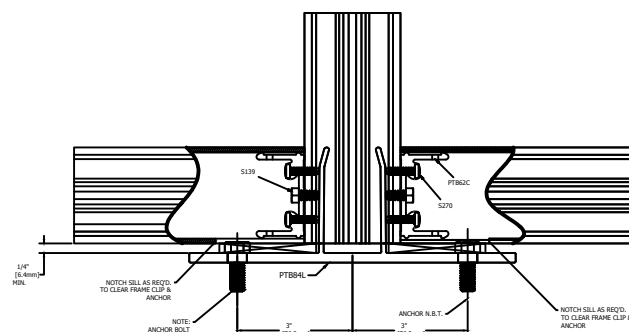
11
STANDARD
VERTICAL SPLICE



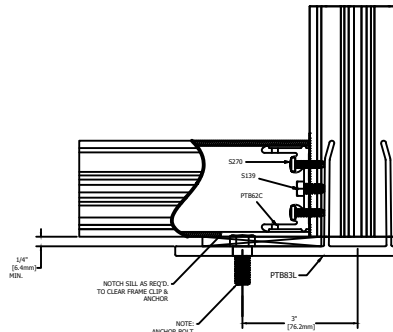
12
STANDARD
"T" ANCHOR AT HEAD



13
STANDARD
"F" ANCHOR AT HEAD



14
STANDARD
"T" ANCHOR AT SILL



15
STANDARD
"F" ANCHOR AT SILL

Standard Details
1/5 scale

September 2022