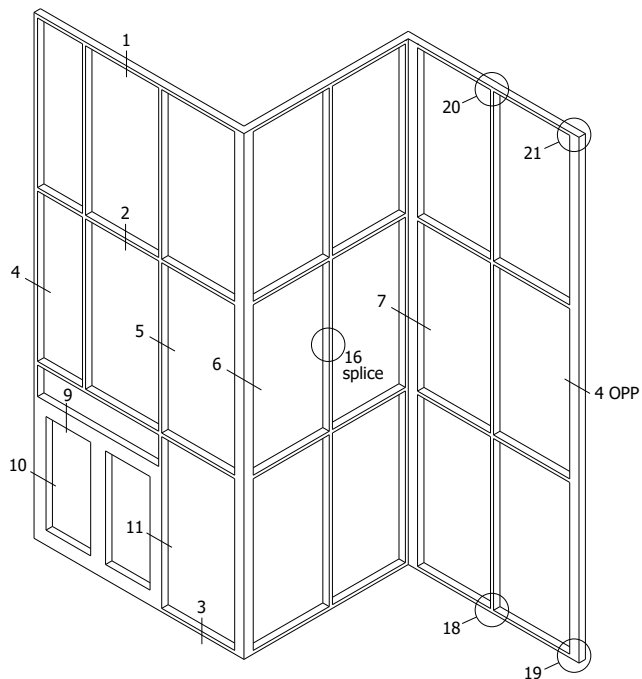


# 400T SERIES

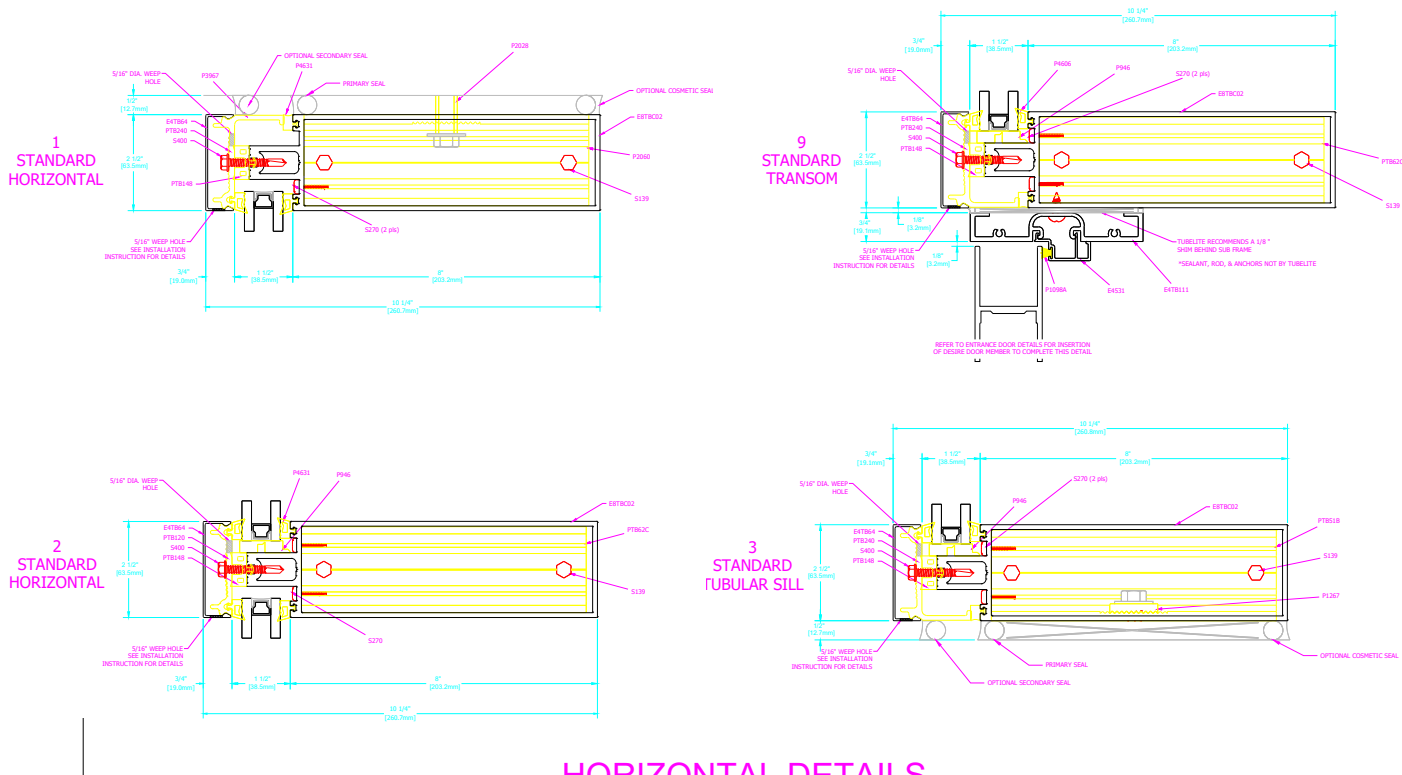
## 400T SERIES CURTAIN WALL DEDIMETER CUECT



### TYPICAL ELEVATION

## 400T SERIES

### 400T SERIES CURTAIN WALL PERIMETER SHEET 10.25" SYSTEM DEPTH, 8.0" BACK MEMBER



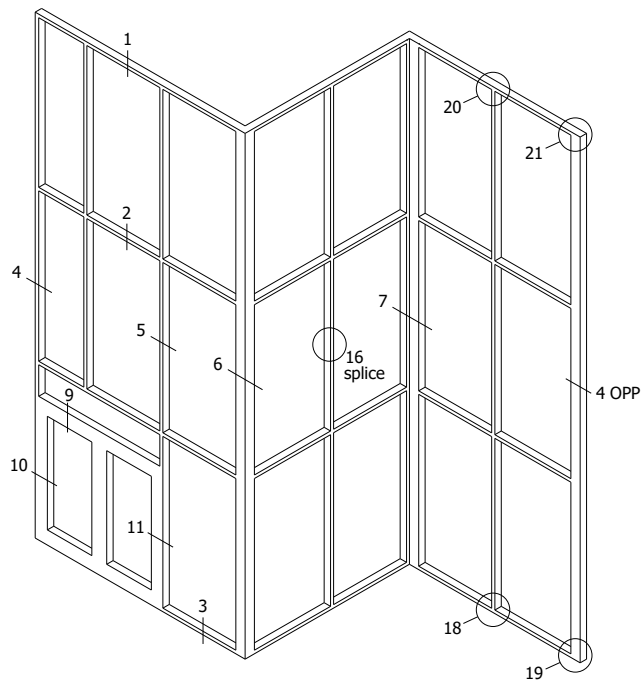
### HORIZONTAL DETAILS

Standard Details  
1/5 scale

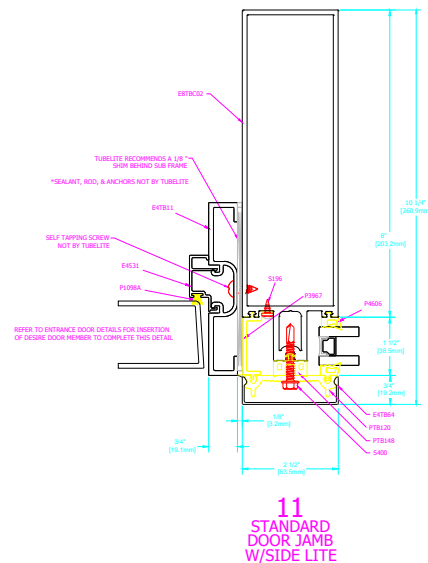
September 2022

# 400T SERIES

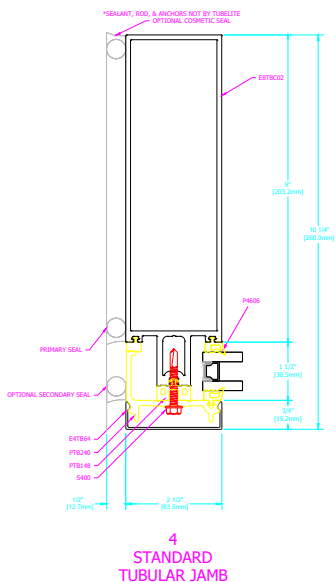
## 400T SERIES CURTAIN WALL DEDIMETER CUEET



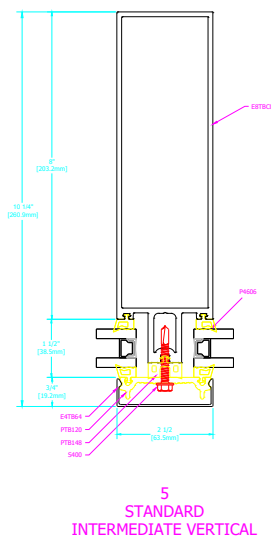
TYPICAL ELEVATION



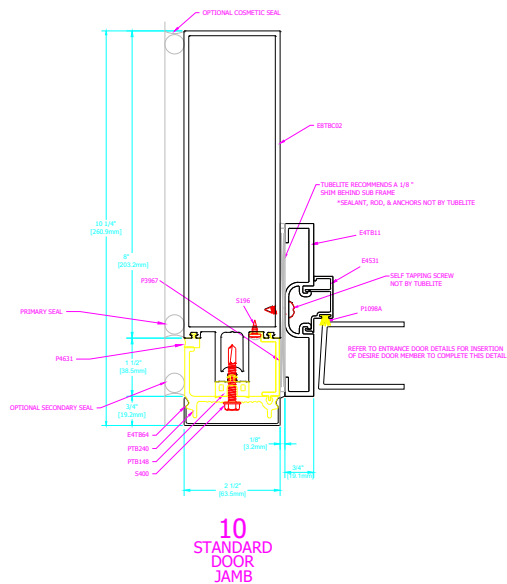
11  
STANDARD  
DOOR JAMB  
W/SIDE LITE



4  
STANDARD  
TUBULAR JAMB



5  
STANDARD  
INTERMEDIATE VERTICAL



10  
STANDARD  
DOOR JAMB

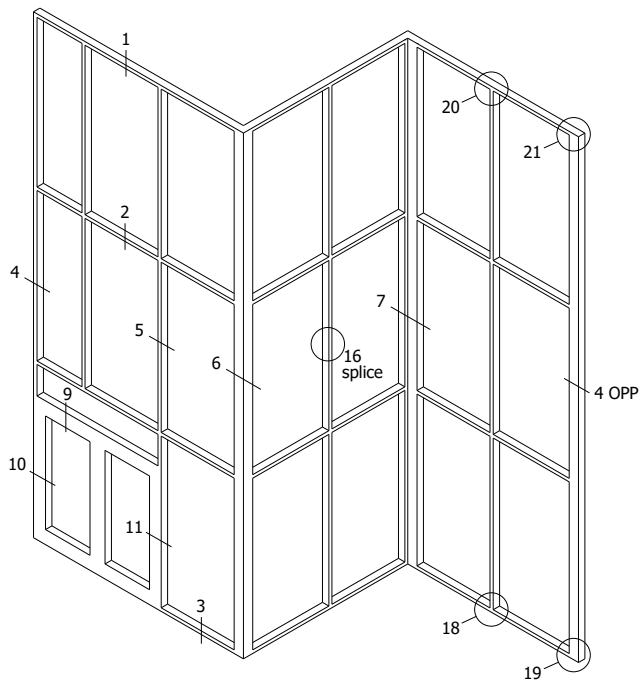
### VERTICAL DETAILS

Standard Details  
1/5 scale

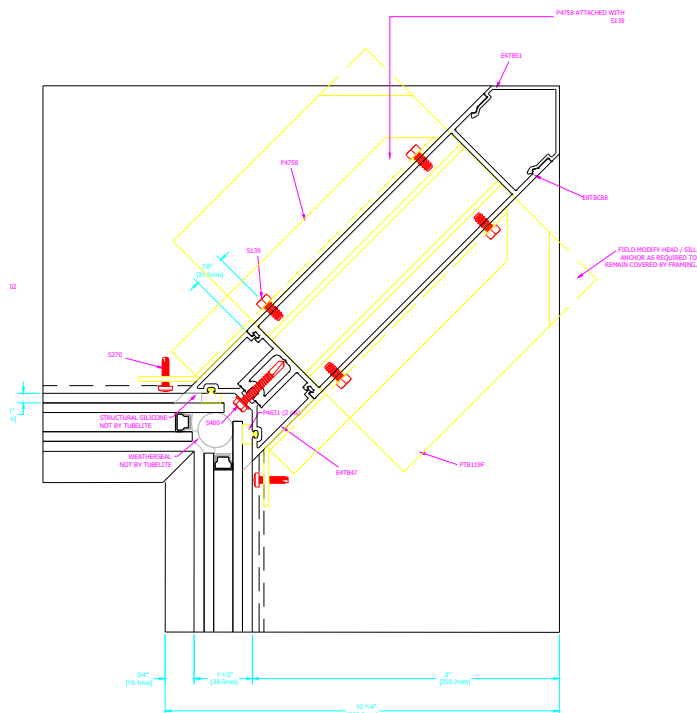
September 2022

# 400T SERIES

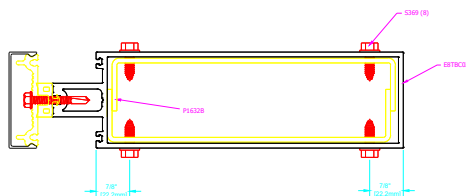
## 400T SERIES CURTAIN WALL DEDIMETER CUECT



TYPICAL ELEVATION

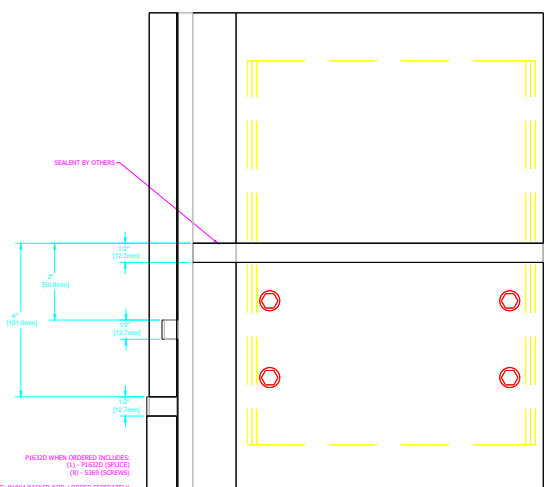


7  
STANDARD  
90 INSIDE CORNER - SSG

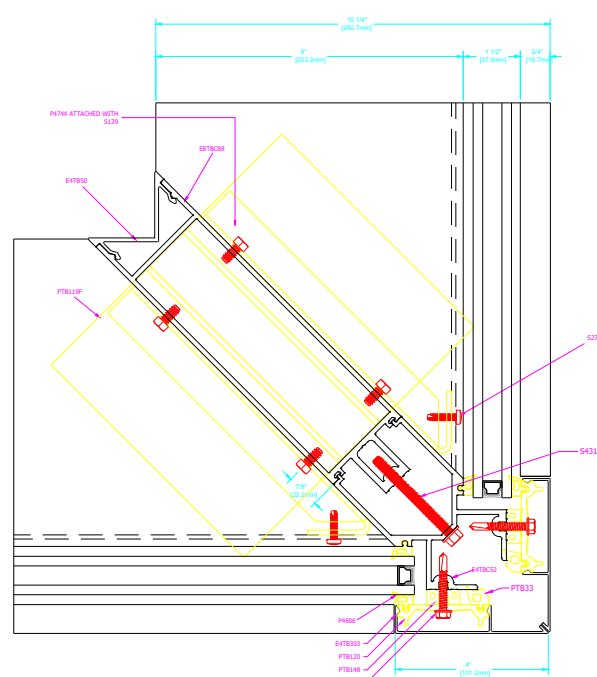


16  
STANDARD

SPLICE DETAILS



FIELD WHEN ORDERED INCLUDES:  
(1) P478 (SPICE)  
(1) S409 (SICRAGE)  
NOTE: P478 BACKER ROD / ORDER SEPARATELY



6  
STANDARD  
OUTSIDE CORNER

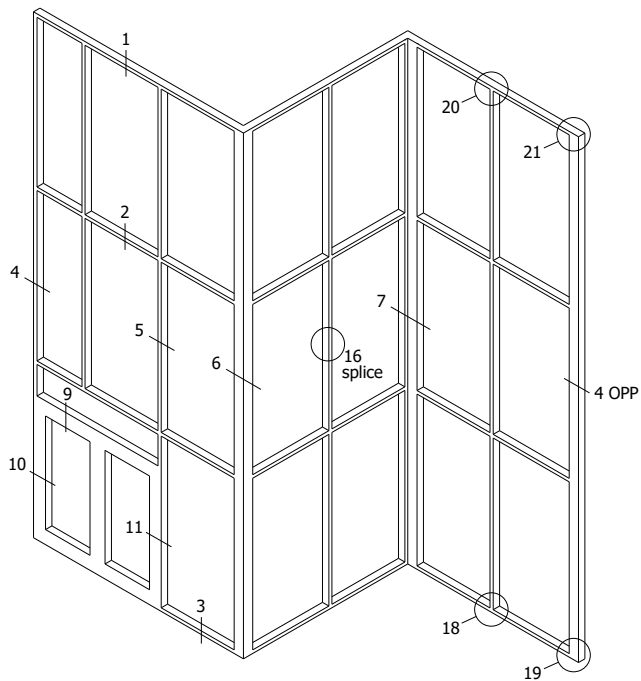
VERTICAL DETAILS

Standard Details  
1/5 scale

September 2022

# 400T SERIES

## 400T SERIES CURTAIN WALL DEDIMETER CUECT



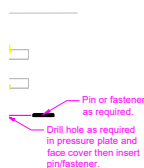
TCH DRILL VERTICAL FRAME MEMBER USING #21 BIT

DR DRILL AND RSINK CLEARANCE HOLE FASTENER.

- 3.58"
- 0.000"
- 1
- 4606
- 4633
- TB148
- 479
- 0317U

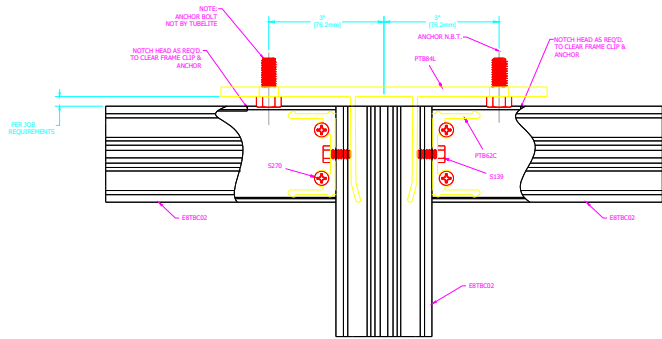
### SCREW APPLIED HORN

### OPTIONAL POLYAMIDE PRESSURE PLATE

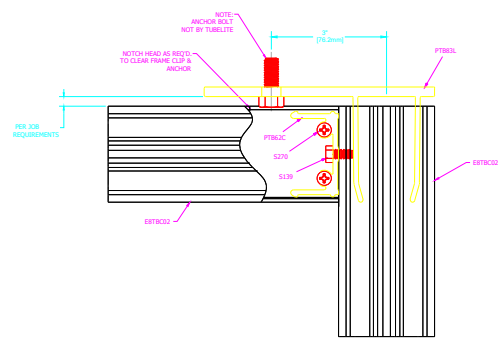


### FACE COVER PINNING

### TYPICAL ELEVATION

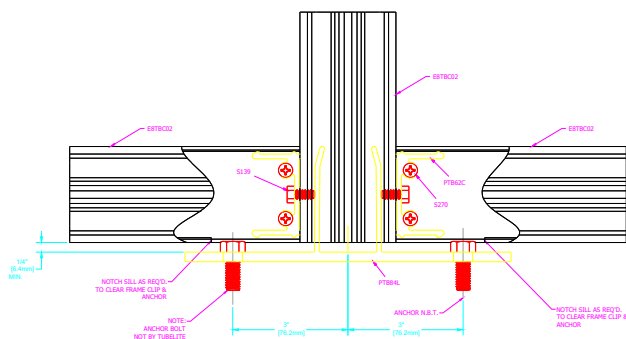


20 STANDARD

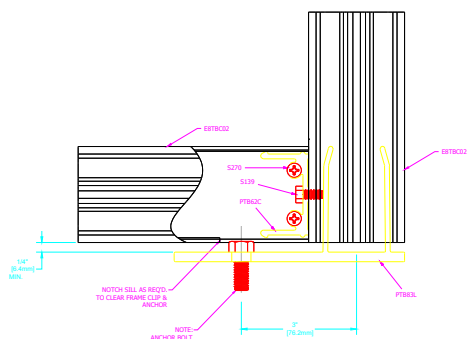


21 STANDARD

NOTE: USE S369 AT NON-EXPOSED LOCATIONS, USE S6505 AT EXPOSED LOCATIONS.



18 STANDARD



19 STANDARD

### SPLICE AND ANCHOR DETAILS

Standard Details  
1/5 scale

September 2022