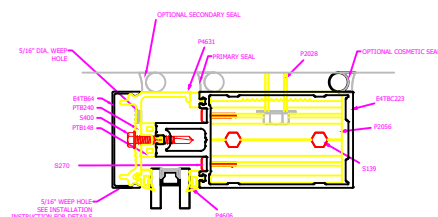
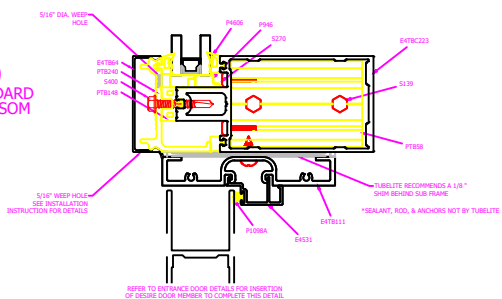


TYPICAL ELEVATION

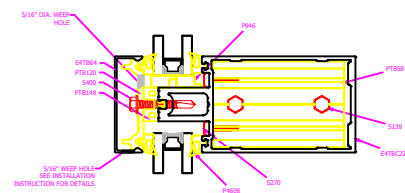
1  
STANDARD  
HEAD



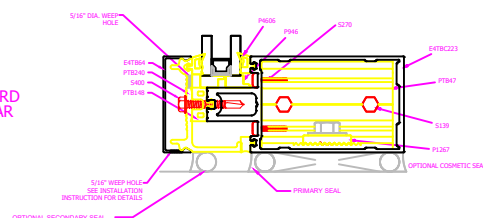
9  
STANDARD  
TRANSOM



2  
STANDARD  
HORIZONTAL



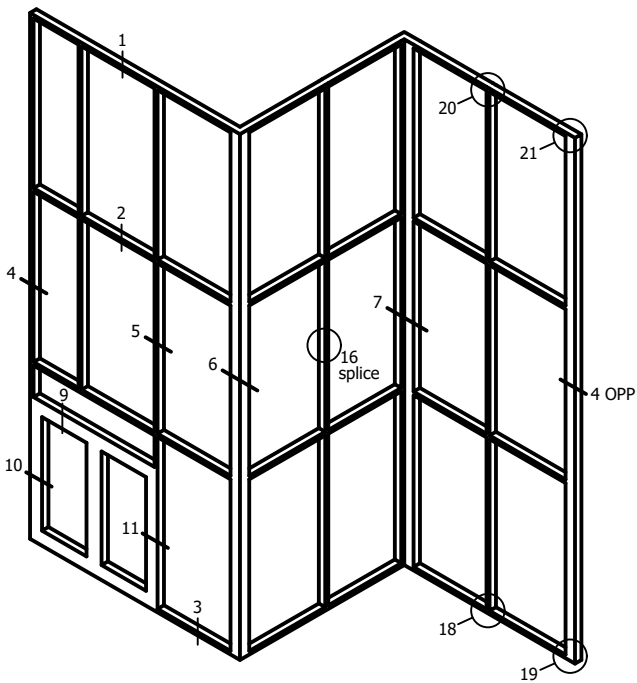
3  
STANDARD  
TUBULAR  
SILL



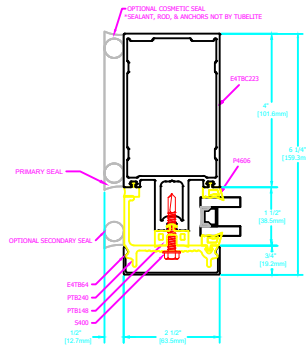
HORIZONTAL DETAILS

Standard Details  
1/5 scale

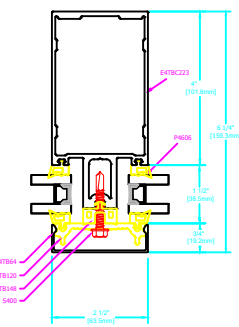
September 2022



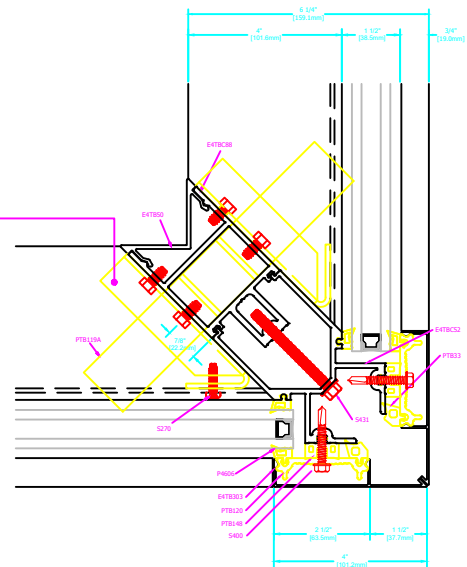
TYPICAL ELEVATION



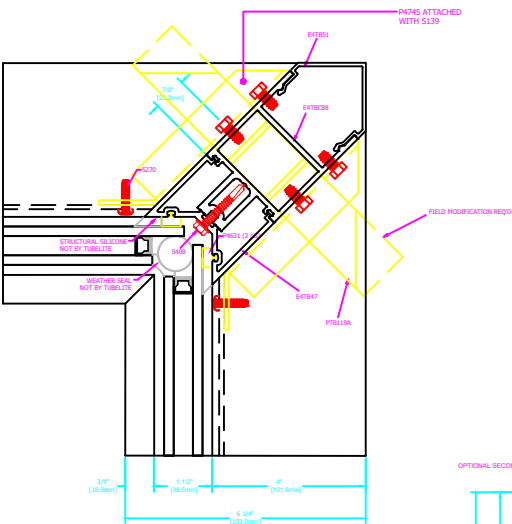
4 STANDARD TUBULAR JAMB



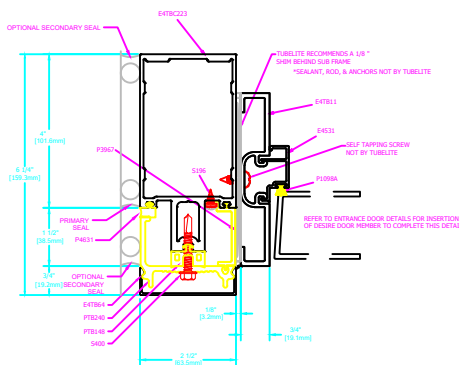
5 STANDARD INTERMEDIATE VERTICAL



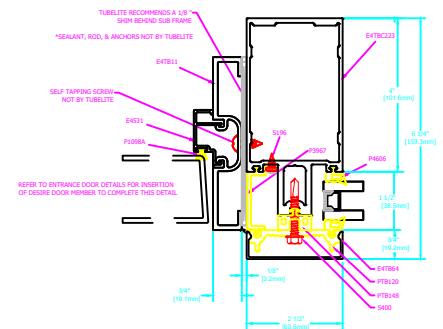
6 STANDARD OUTSIDE CORNER



7 STANDARD 90 INSIDE CORNER - SSG



10 STANDARD DOOR JAMB

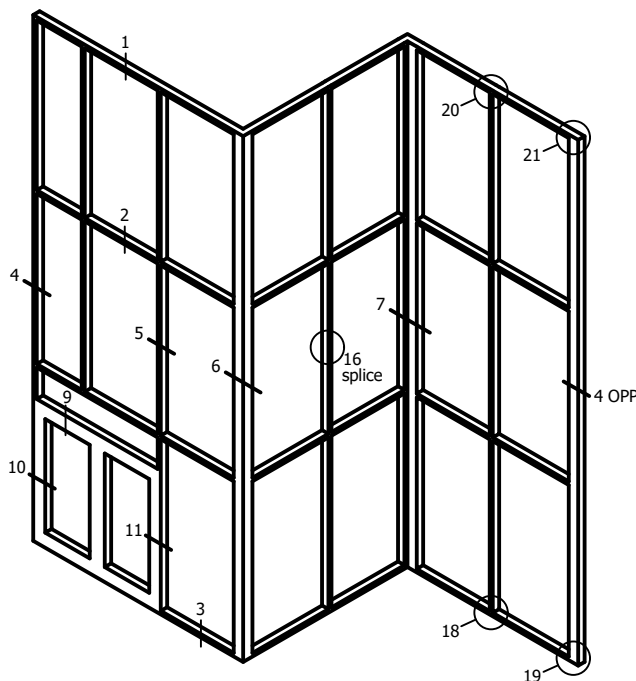


11 STANDARD DOOR JAMB W/SIDE LITE

VERTICAL DETAILS

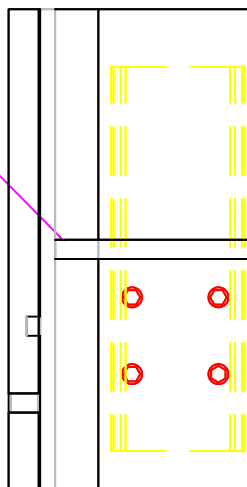
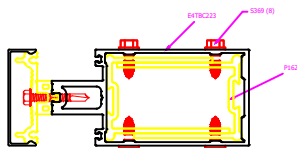
Standard Details  
1/5 scale

September 2022



TYPICAL ELEVATION

NOTE: Use S369 at non-exposed locations, use S6505 at exposed locations.

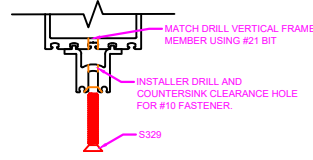
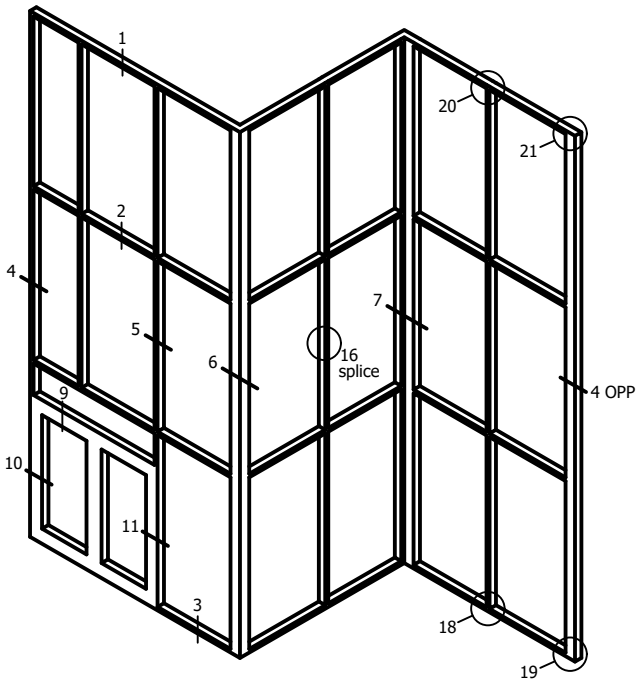


16  
STANDARD

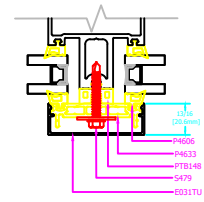
SPLICE DETAILS

Standard Details  
1/5 scale

September 2022



SCREW APPLIED HORN

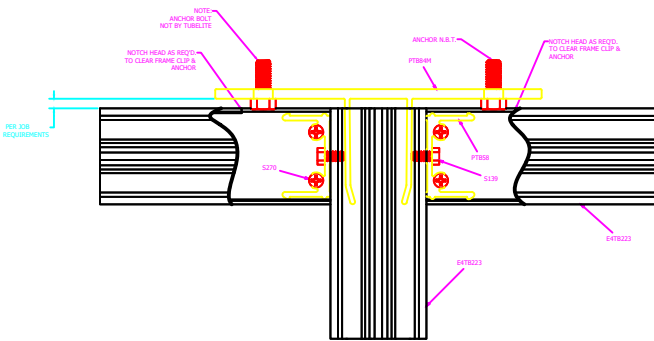


OPTIONAL POLYIMIDE PRESSURE PLATE

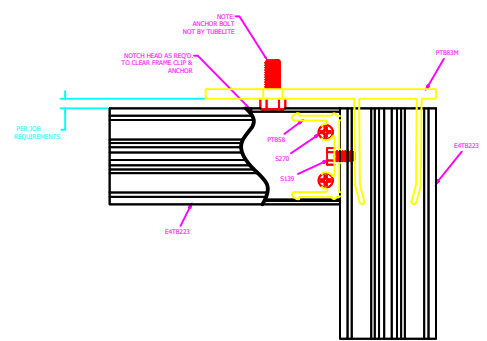


FACE COVER PINNING

TYPICAL ELEVATION

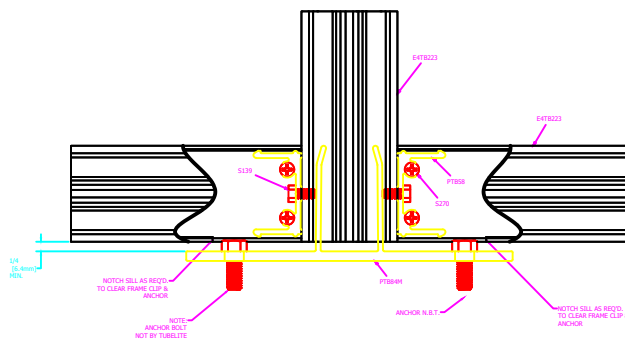


20 STANDARD

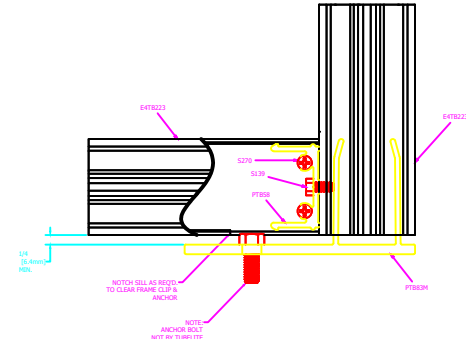


21 STANDARD

NOTE: Use S369 at non-exposed locations, use S6505 at exposed locations.



18 STANDARD



19 STANDARD

ANCHOR DETAILS  
September 2022

Standard Details  
1/5 scale