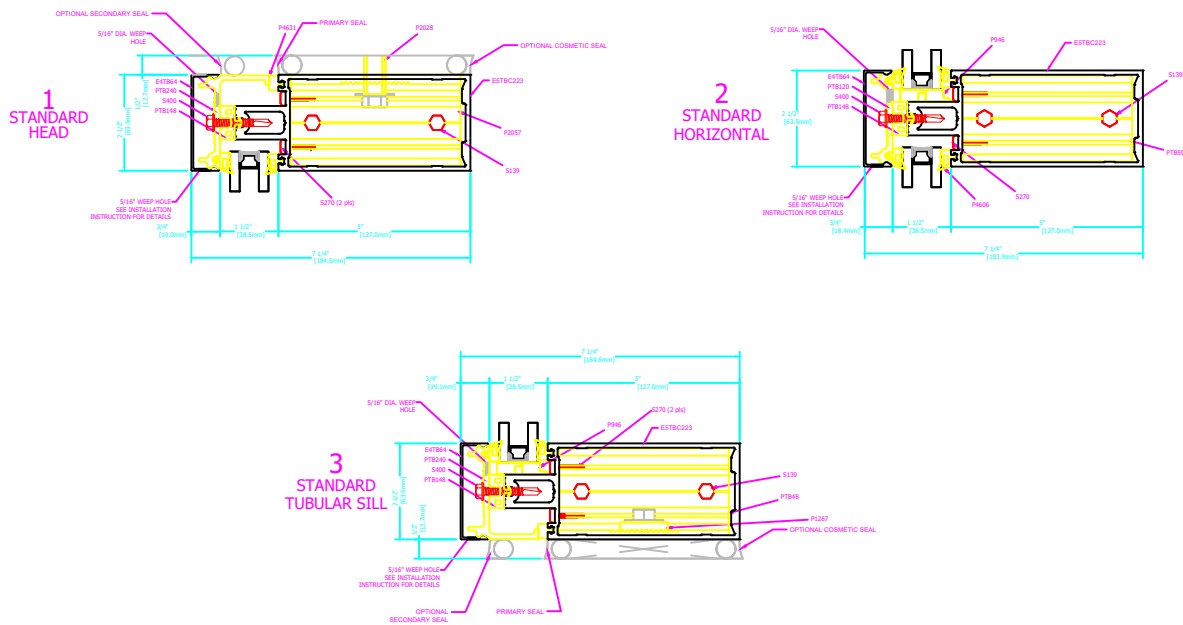


TYPICAL ELEVATION

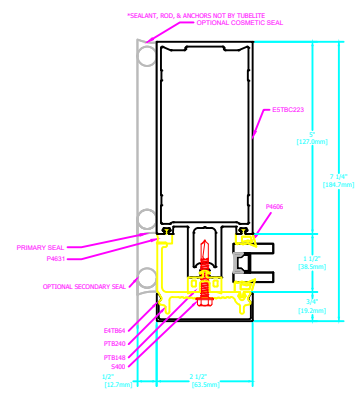
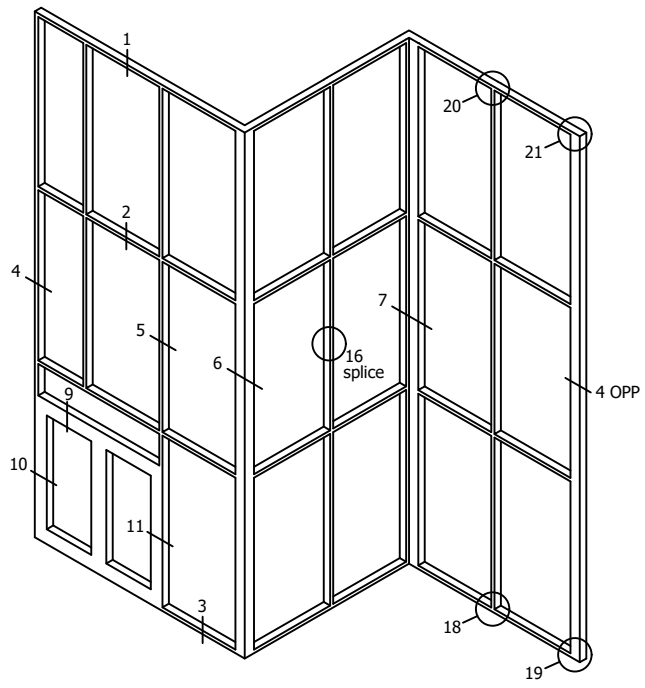
400T SERIES
 400 SERIES CURTAIN WALL
 PERIMETER SHEET
 7.25" SYSTEM DEPTH, 5.0" BACK MEMBER
 INTERSTORY HORIZONTAL EXPANSION, THERMAL PRESSURE PLATE



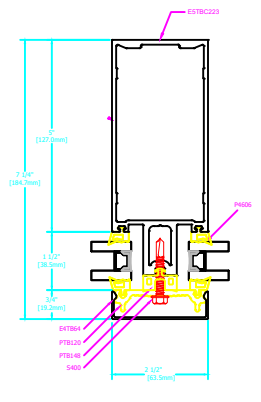
HORIZONTAL DETAILS

Standard Details
 1/5 scale

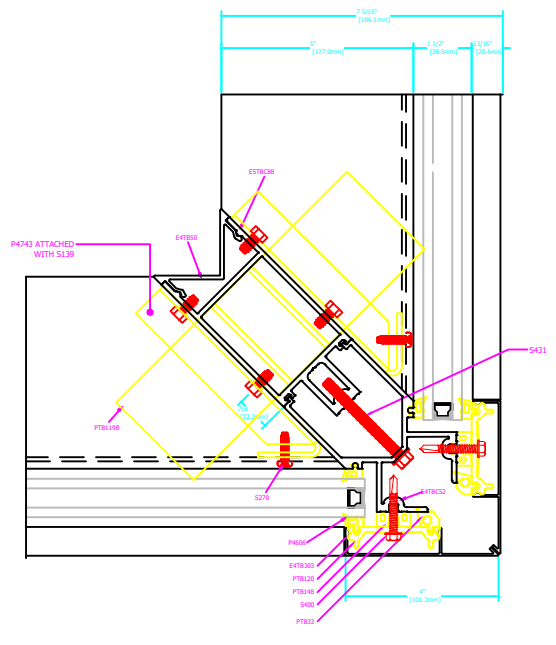
September 2022



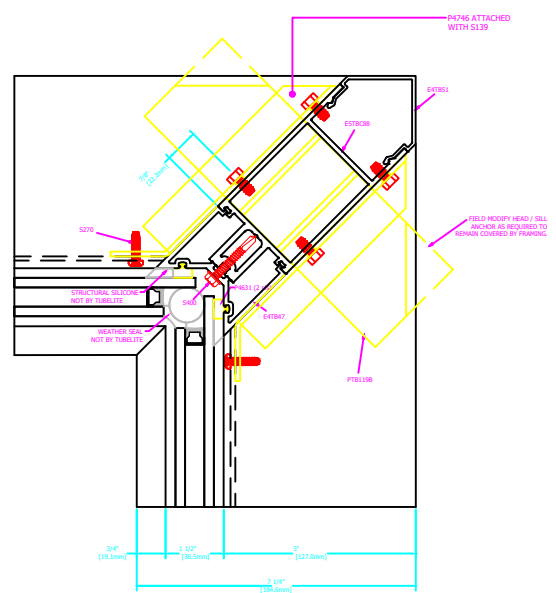
4 STANDARD TUBULAR JAMB



5 STANDARD INTERMEDIATE VERTICALS



6 STANDARD OUTSIDE CORNER

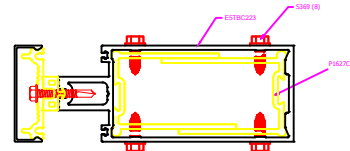
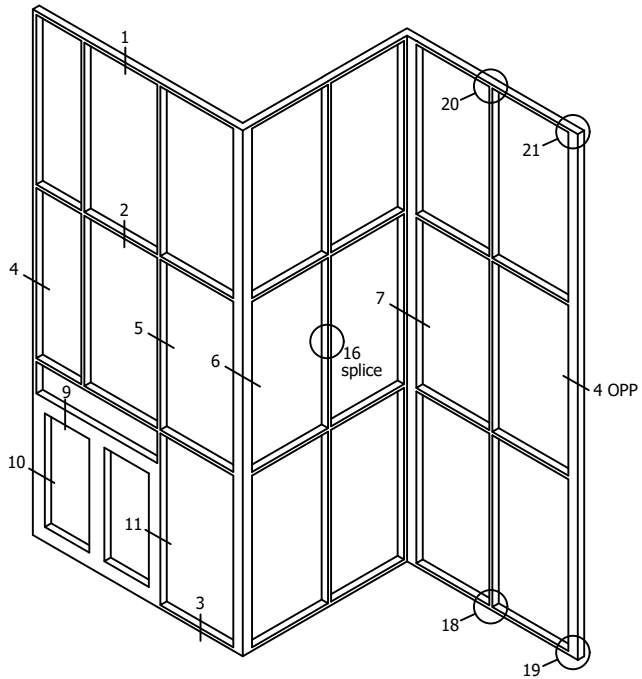


7 STANDARD 90 INSIDE CORNER - SSG

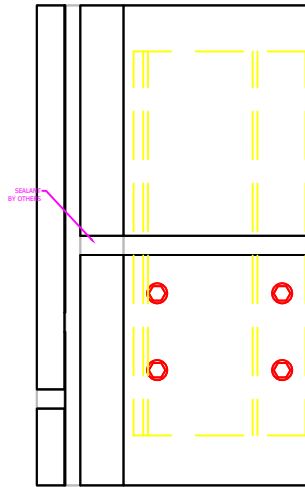
VERTICAL DETAILS

Standard Details
1/5 scale

September 2022

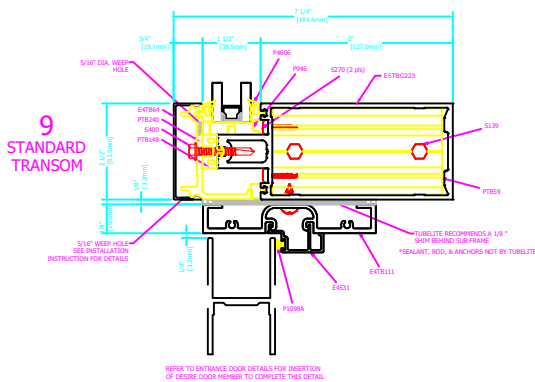


NOTE: Use S369 at non-exposed locations, use S6505 at exposed locations.

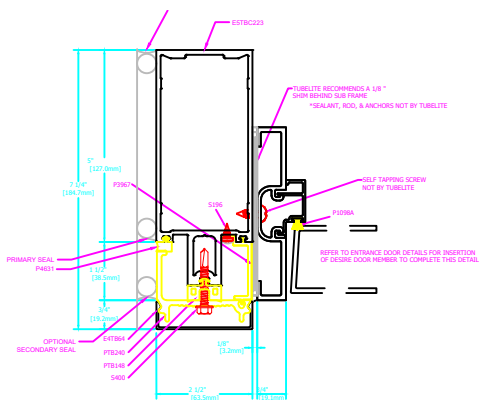


16
STANDARD
VERTICAL
SPICE

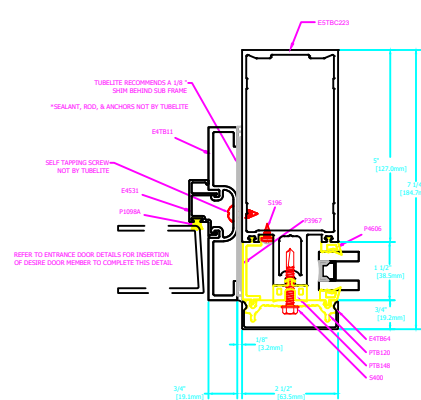
SPLICE DETAILS



DOOR DETAILS



10
STANDARD
DOOR JAMB

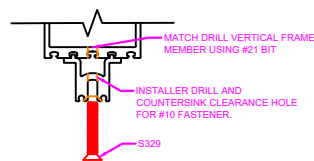
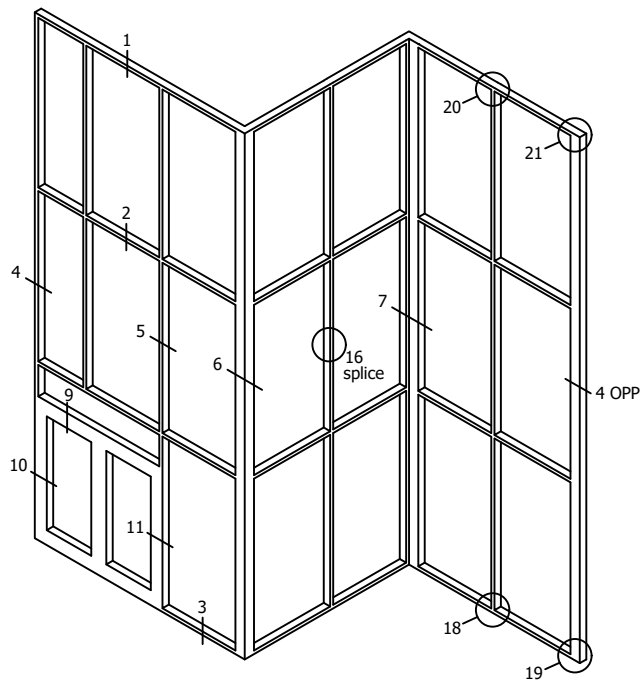


11
STANDARD
DOOR JAMB
W/SIDE LITE

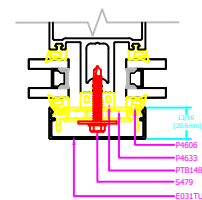
VERTICAL DETAILS

September 2022

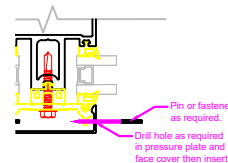
Standard Details
1/5 scale



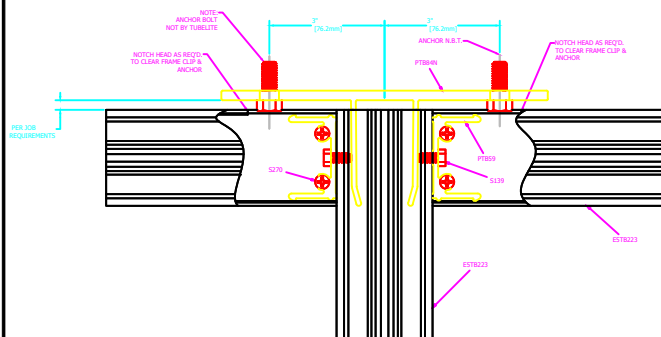
SCREW APPLIED HORN



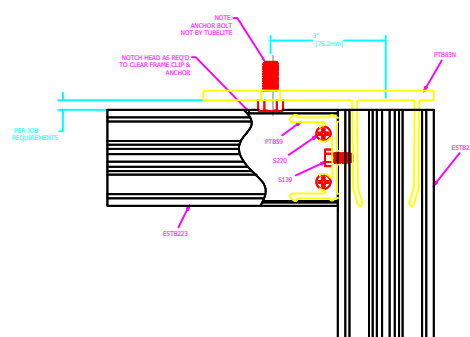
OPTIONAL POLYIMIDE PRESSURE PLATE



FACE COVER PINNING

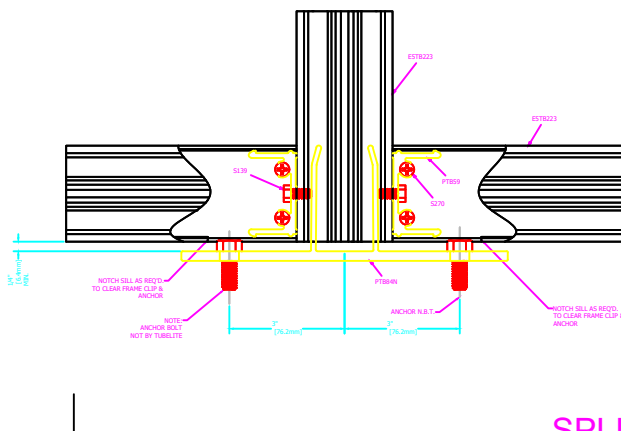


20 STANDARD

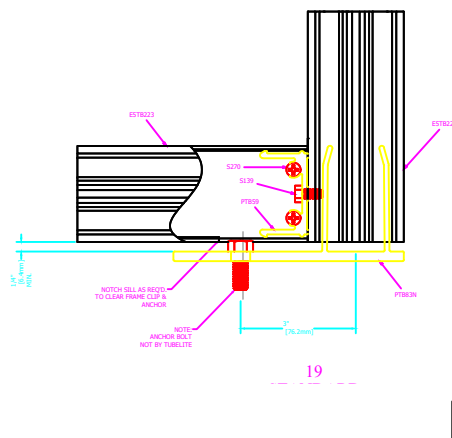


21 STANDARD

NOTE: Use S369 at non-exposed locations, use S5505 at exposed locations.



SPLICE DETAILS



19

Standard Details
1/5 scale

September 2022