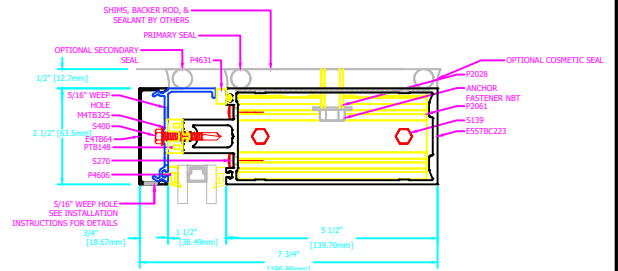


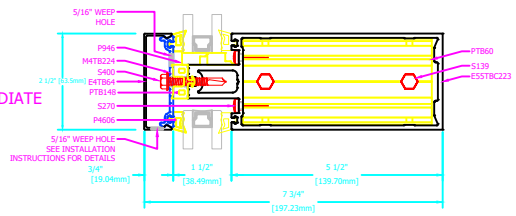
TYPICAL ELEVATION

400T SERIES
 400 SERIES CURTAIN WALL
 PERIMETER SHEET
 7.75" SYSTEM DEPTH, 5.5" BACK MEMBER
 ALUMINUM PRESSURE PLATE

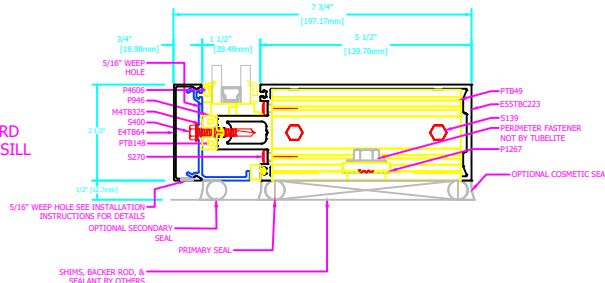
1
STANDARD
HEAD



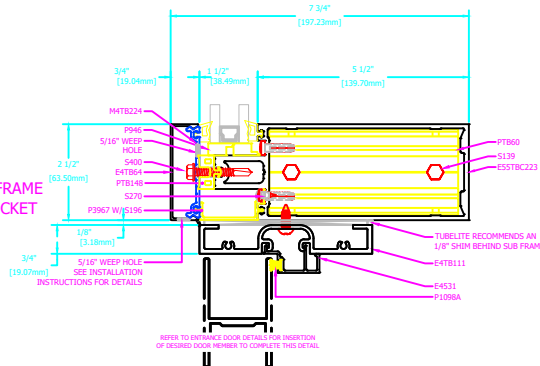
2
STANDARD
TUBULAR INTERMEDIATE
HORIZONTAL



3
STANDARD
TUBULAR SILL



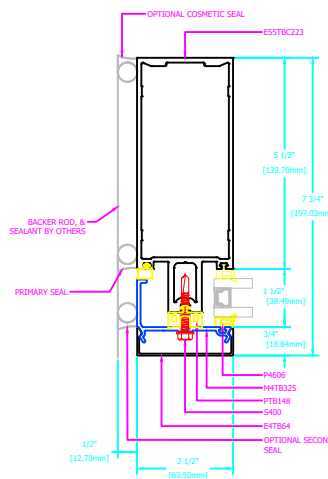
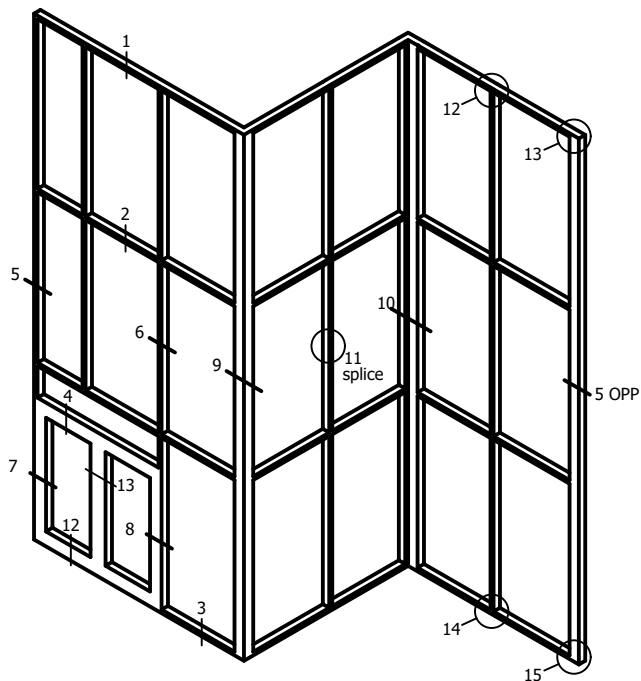
4
STANDARD
TRANSOM WITH SUB-FRAME
AND PVC GLAZING POCKET
FILLER



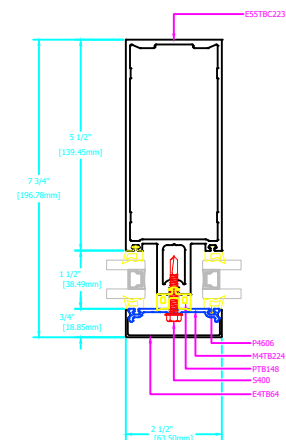
HORIZONTAL DETAILS

Standard Details
 1/5 scale

September 2022

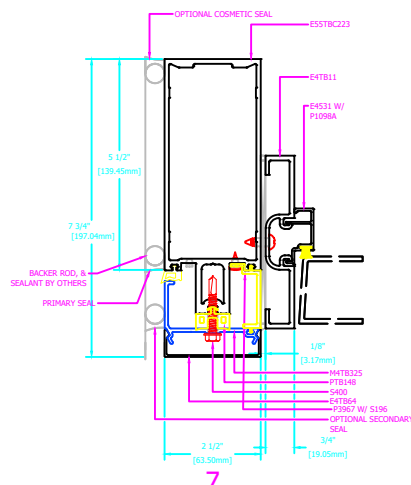


5
STANDARD
TUBULAR JAMB

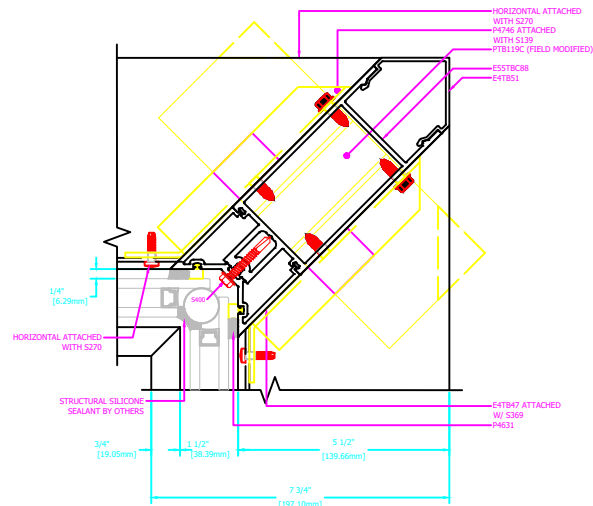


6
STANDARD
TUBULAR MULLION

TYPICAL ELEVATION



7
STANDARD
DOOR JAMB AT PERIMETER PRESSURE
PLATE W/ ALUMINUM POCKET CLOSER

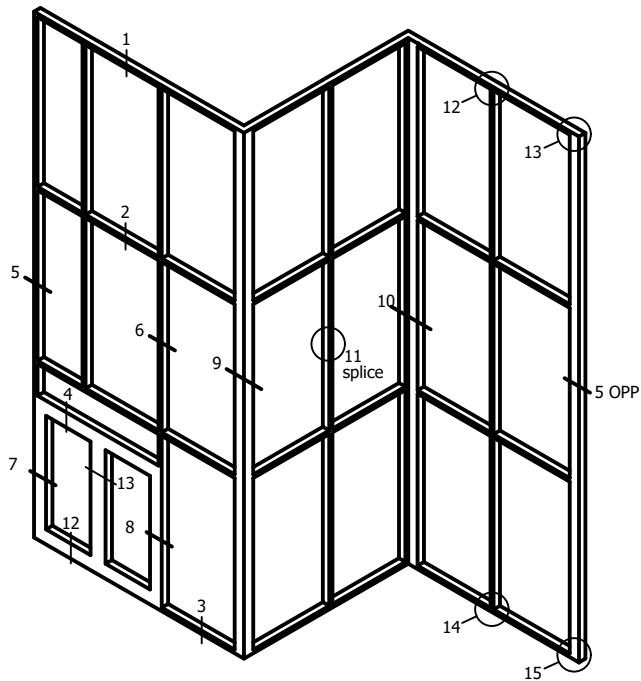


10
STANDARD
90° INSIDE SSG CORNER

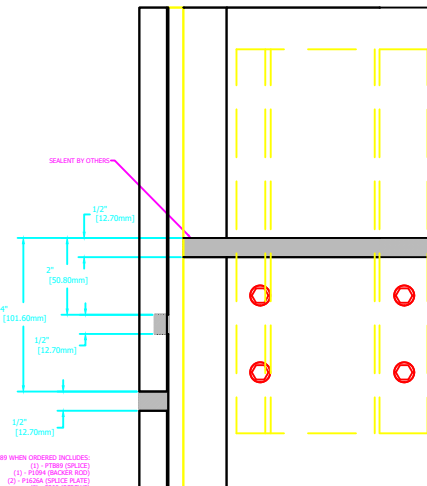
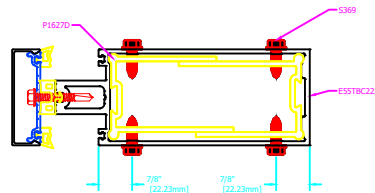
VERTICAL DETAILS

Standard Details
1/5 scale

September 2022



TYPICAL ELEVATION



PT889 WHEN ORDERED INCLUDES:
 (1) - PT889 (SPICER)
 (1) - P1624 (BACKER ROD)
 (2) - P1624A (SPICER PLATE)
 (8) - E369 (SCREWS)

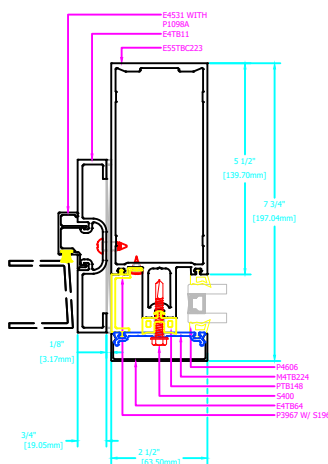
400T SERIES

400 SERIES CURTAIN WALL PERIMETER SHEET

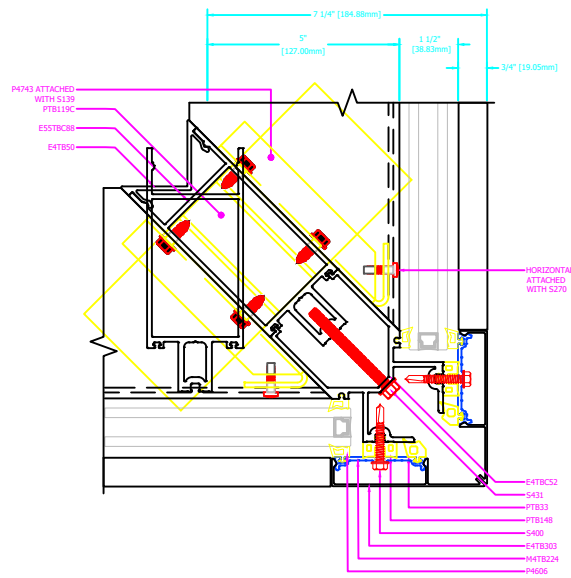
7.75" SYSTEM DEPTH, 5.5" BACK MEMBER ALUMINUM PRESSURE PLATE

11 STANDARD CAPTURED VERTICAL SPLICE

SPLICE AND ANCHOR DETAILS



8 STANDARD DOOR JAMB AT SIDELITE W/ VINYL POCKET CLOSER

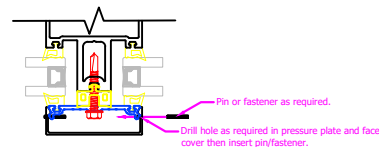
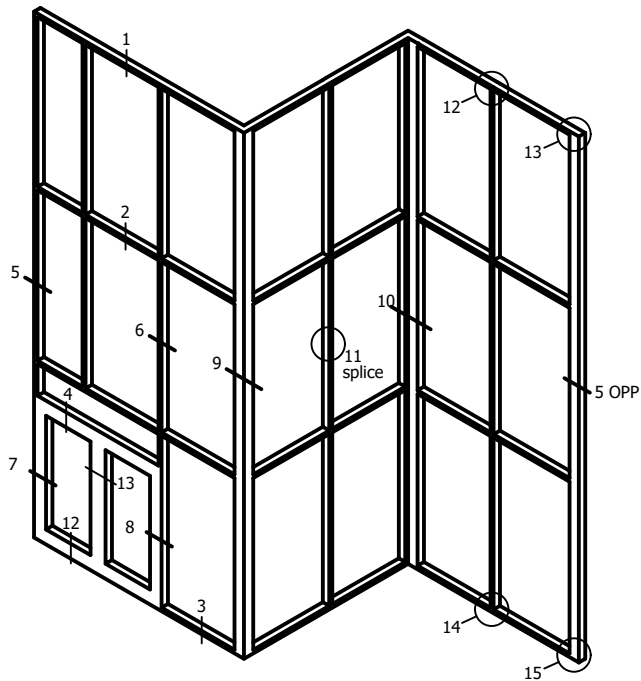


9 STANDARD 90° OUTSIDE SSG CORNER

VERTICAL DETAILS

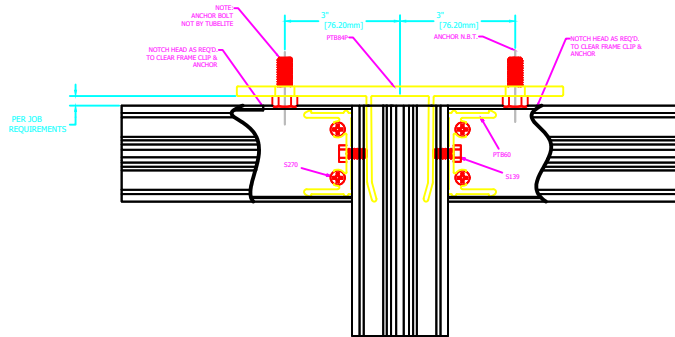
Standard Details
1/5 scale

September 2022

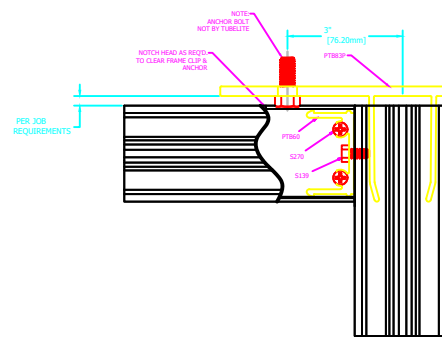


FACE COVER PINNING

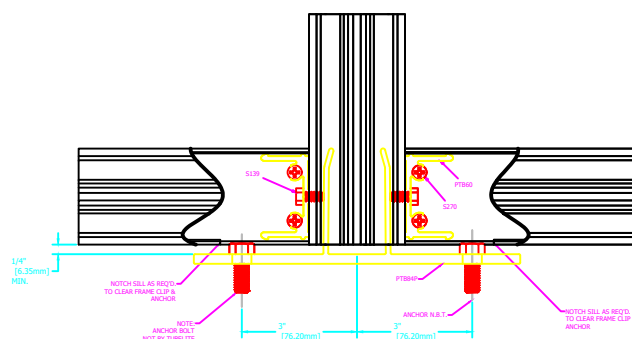
TYPICAL ELEVATION



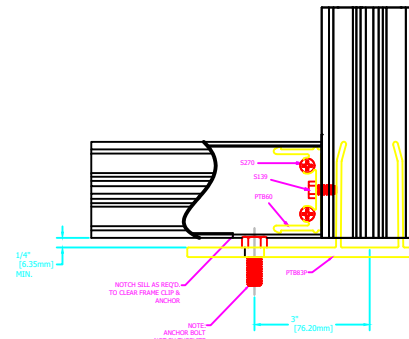
12
STANDARD
'T' ANCHOR AT HEAD



13
STANDARD
'F' ANCHOR AT HEAD



14
STANDARD
'T' ANCHOR AT SILL



15
STANDARD
'F' ANCHOR AT SILL

SPLICE AND ANCHOR DETAILS

Standard Details
1/5 scale

September 2022