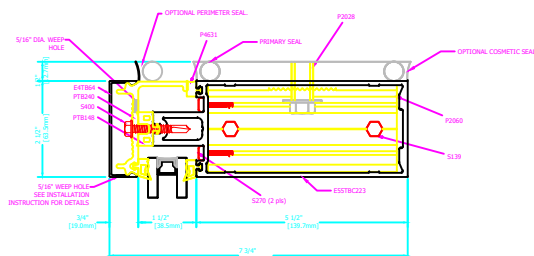
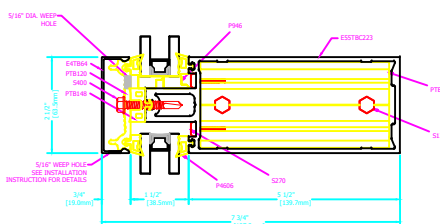


TYPICAL ELEVATION

1 STANDARD HEAD

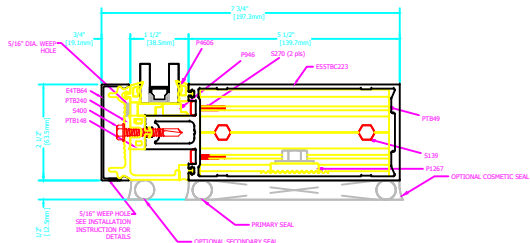


2 STANDARD HORIZONTAL

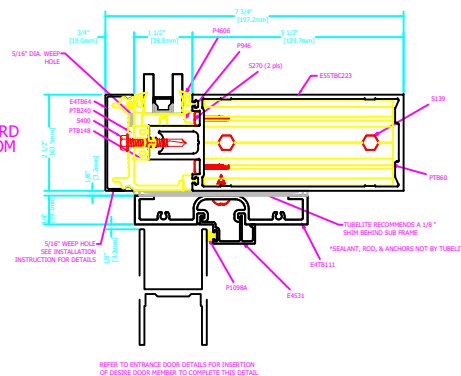


**400T SERIES**  
 400T SERIES CURTAIN WALL PERIMETER SHEET  
 7.75" SYSTEM DEPTH, 5.5" BACK MEMBER  
 INTERSTORY HORIZONTAL EXPANSION  
 THERMAL PRESSURE PLATE

3 STANDARD TUBULAR SILL



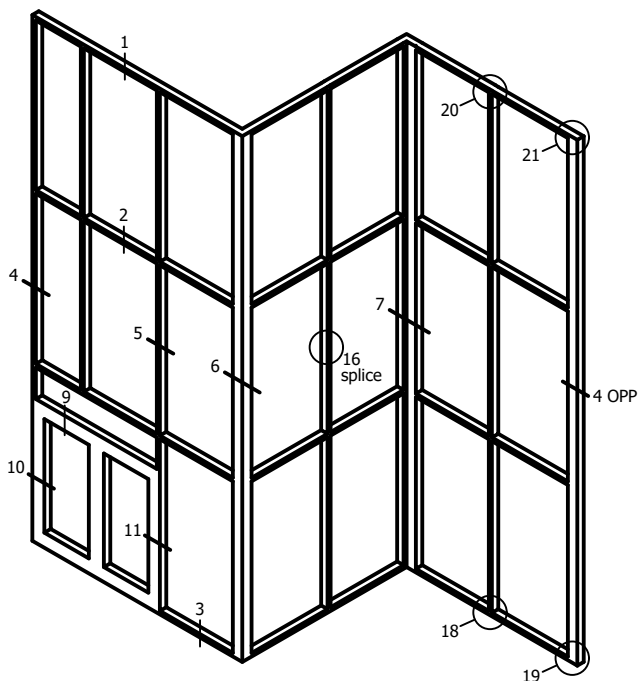
9 STANDARD TRANSOM



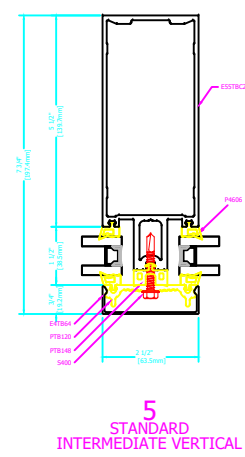
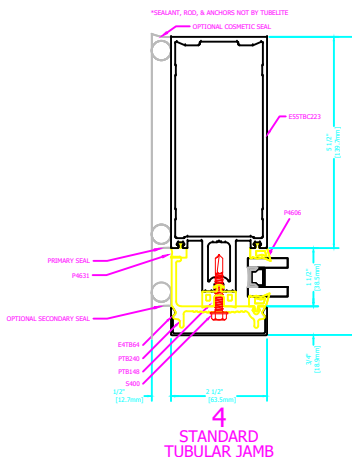
HORIZONTAL DETAILS

Standard Details  
 1/5 scale

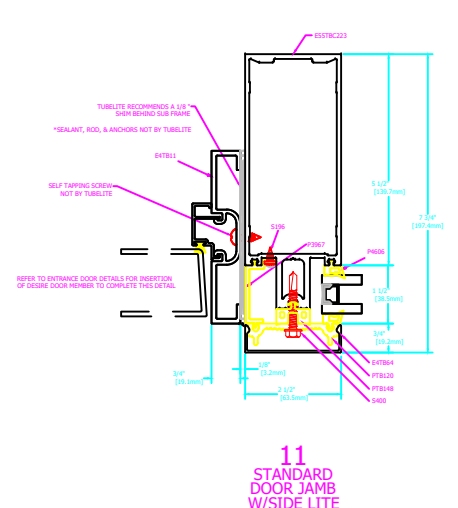
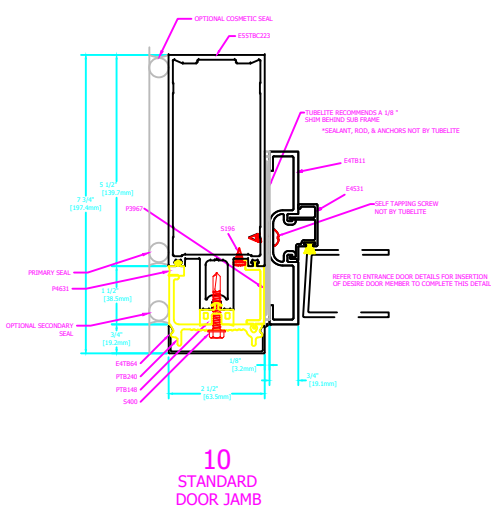
September 2022



TYPICAL ELEVATION



**400T SERIES**  
 400T SERIES CURTAIN WALL  
 PERIMETER SHEET  
 7.75" SYSTEM DEPTH, 5.5" BACK MEMBER  
 INTERSTORY HORIZONTAL EXPANSION  
 THERMAL PRESSURE PLATE



VERTICAL DETAILS

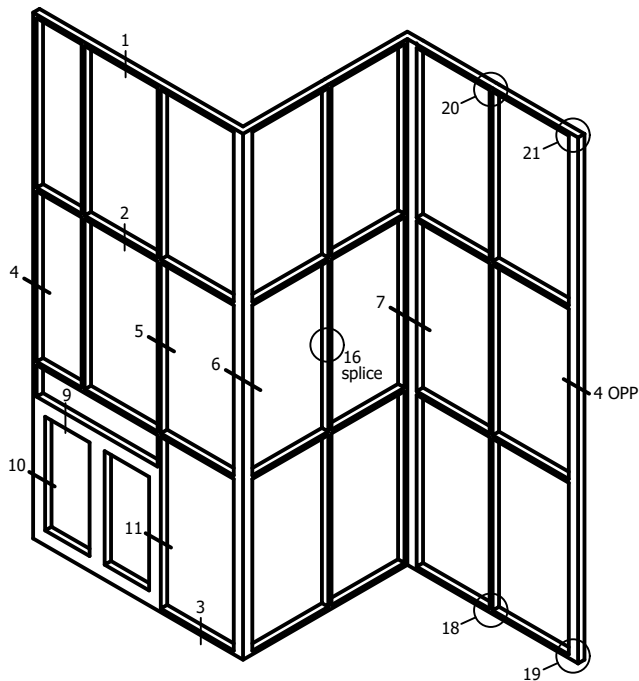
Standard Details  
 1/5 scale

September 2022

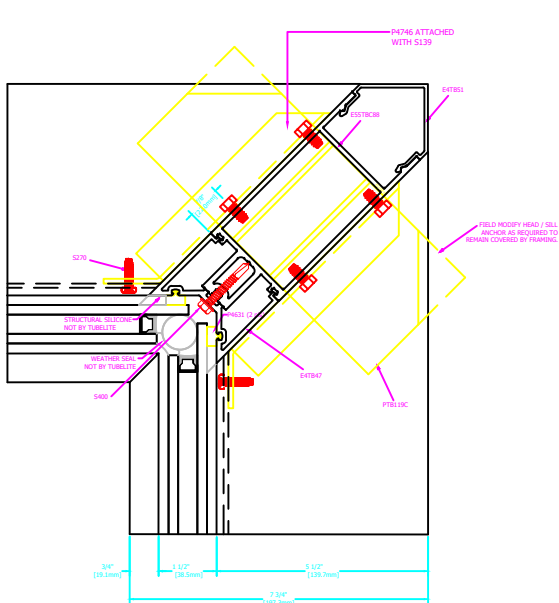


For specific product applications, contact your representative.  
[www.alumicor.com](http://www.alumicor.com) PAGE 2 [www.tubeliteinc.com](http://www.tubeliteinc.com)

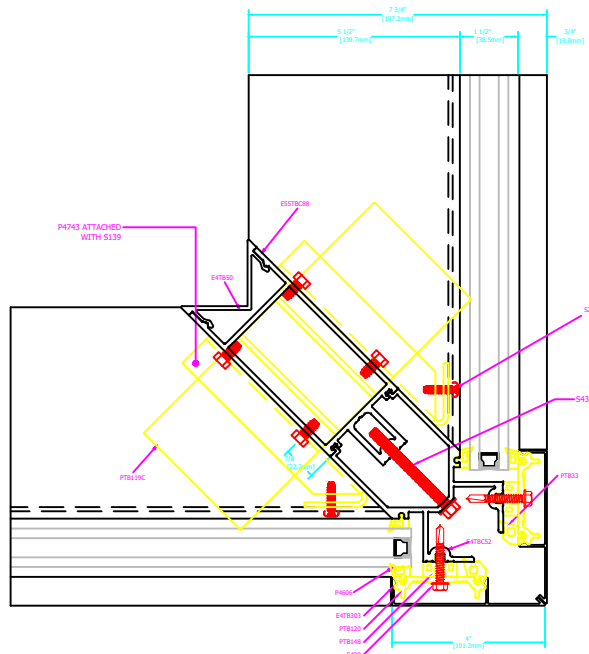




TYPICAL ELEVATION



7  
STANDARD  
90 INSIDE CORNER -  
SSG

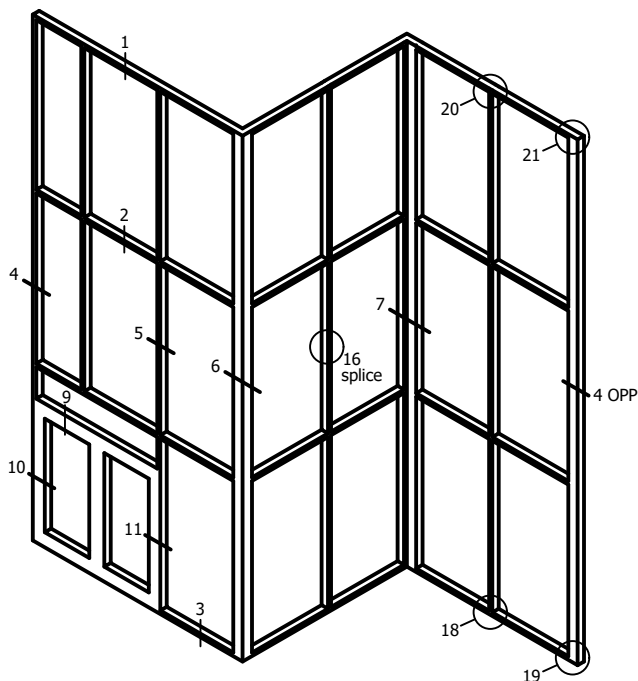


6  
STANDARD  
OUTSIDE CORNER

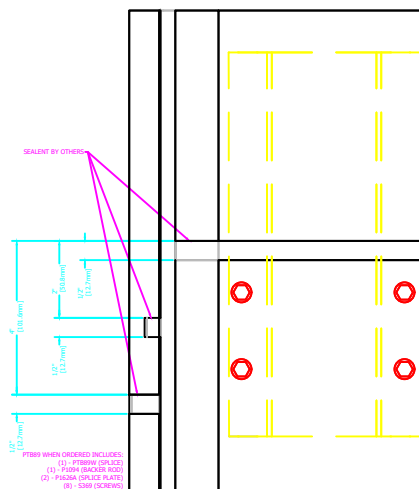
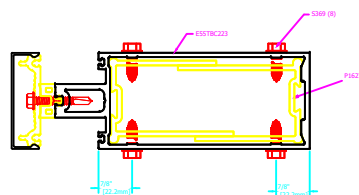
VERTICAL DETAILS

Standard Details  
1/5 scale

September 2022

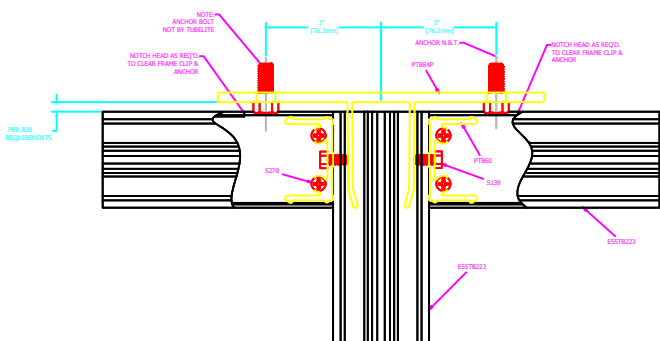


TYPICAL ELEVATION

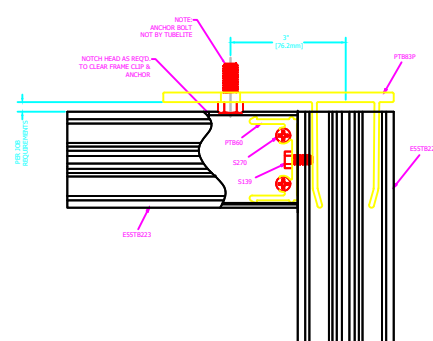


PT889 WHEN ORDERED INCLUDES:  
 (S) - PT889A (GLAZER)  
 (T) - PT889B (BACKER BODY)  
 (C) - PT889C (GLAZER PLATE)  
 (B) - S289 (SCREWS)

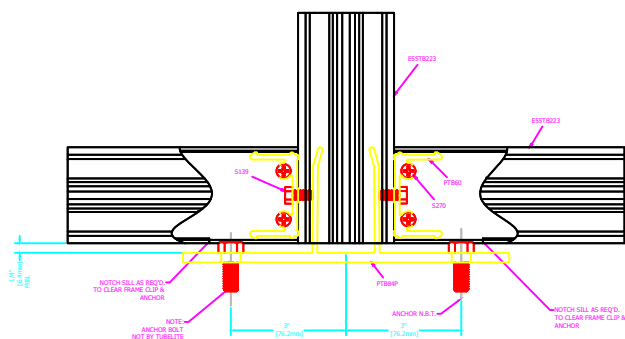
16  
STANDARD



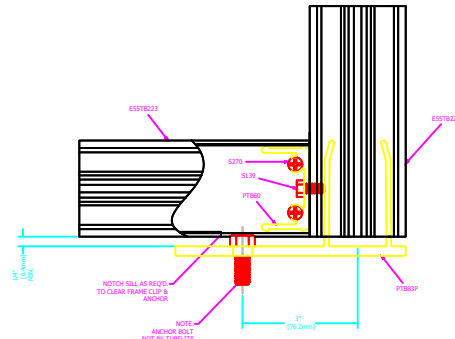
20  
STANDARD



21  
STANDARD



18  
STANDARD



19  
STANDARD

SPLICE AND ANCHOR DETAILS

Standard Details  
1/5 scale

September 2022