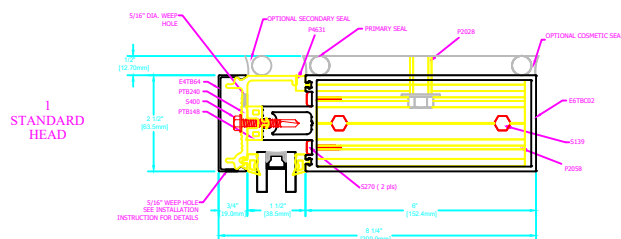
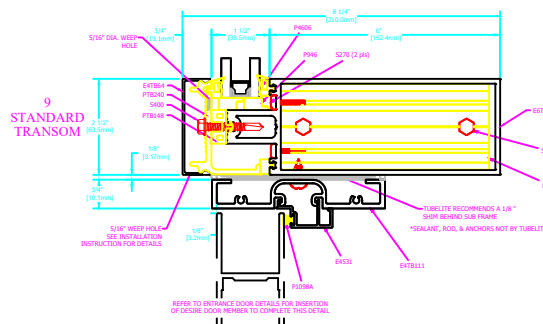
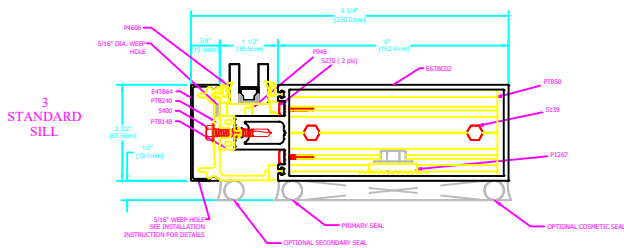
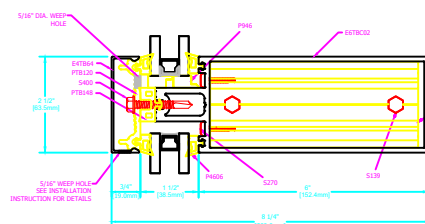


TYPICAL ELEVATION

**400T SERIES**  
 400T SERIES CURTAIN WALL  
 PERIMETER SHEET  
 8.25" SYSTEM DEPTH, 6.0" BACK MEMBER  
 THERMAL PRESSURE PLATE



2 STANDARD HORIZONTAL

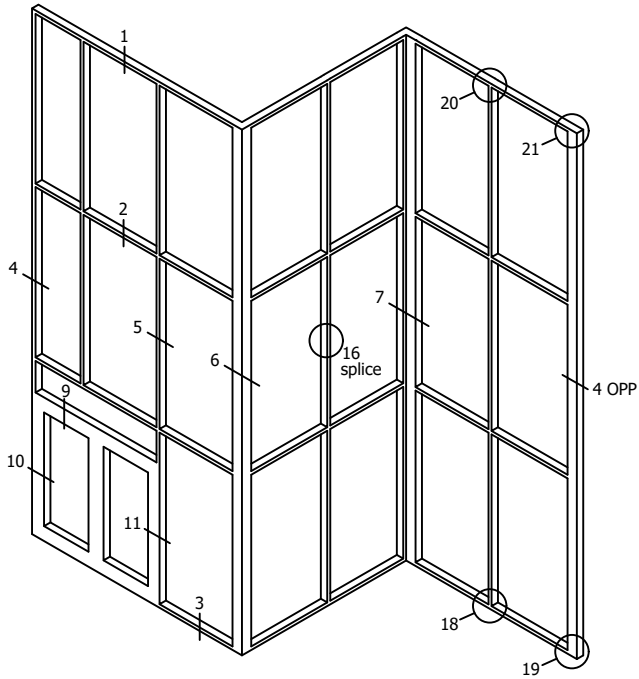


HORIZONTAL DETAILS

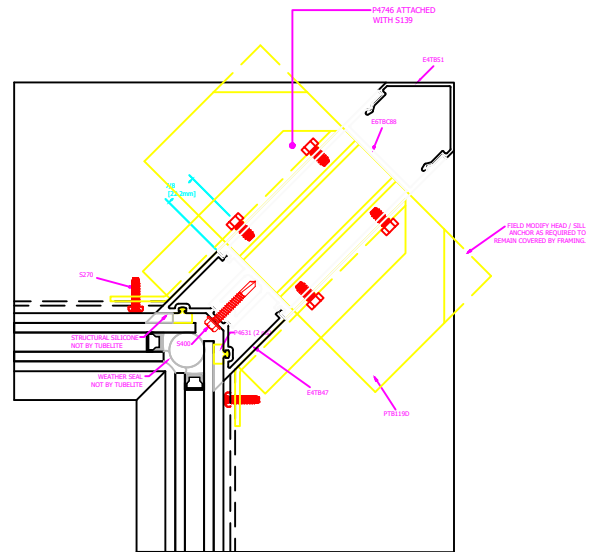
Standard Details  
 1/5 scale

September 2022



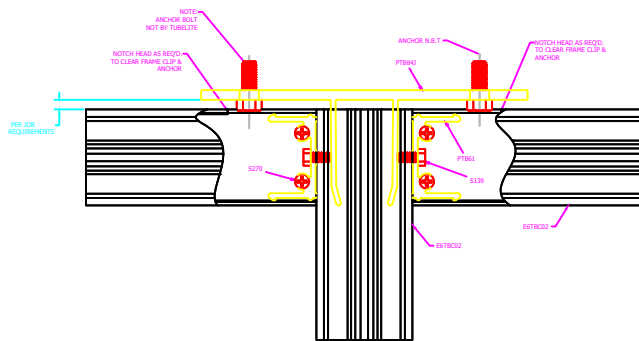


TYPICAL ELEVATION

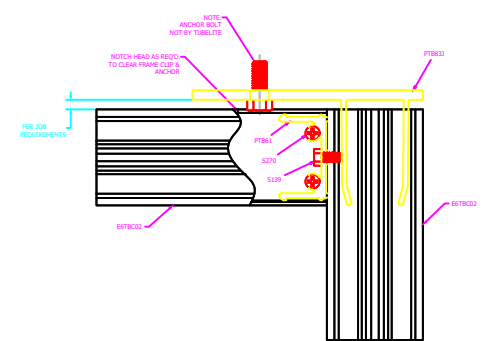


7  
STANDARD  
90 INSIDE CORNER - SSG

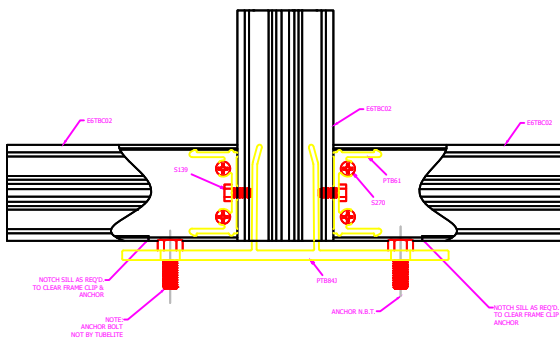
VERTICAL DETAILS



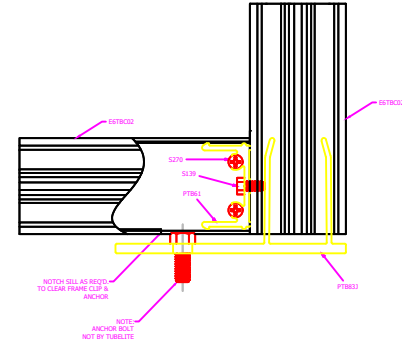
20  
STANDARD



21  
STANDARD



18  
STANDARD



19  
STANDARD

SPLICE AND ANCHOR DETAILS

Standard Details  
1/5 scale

September 2022