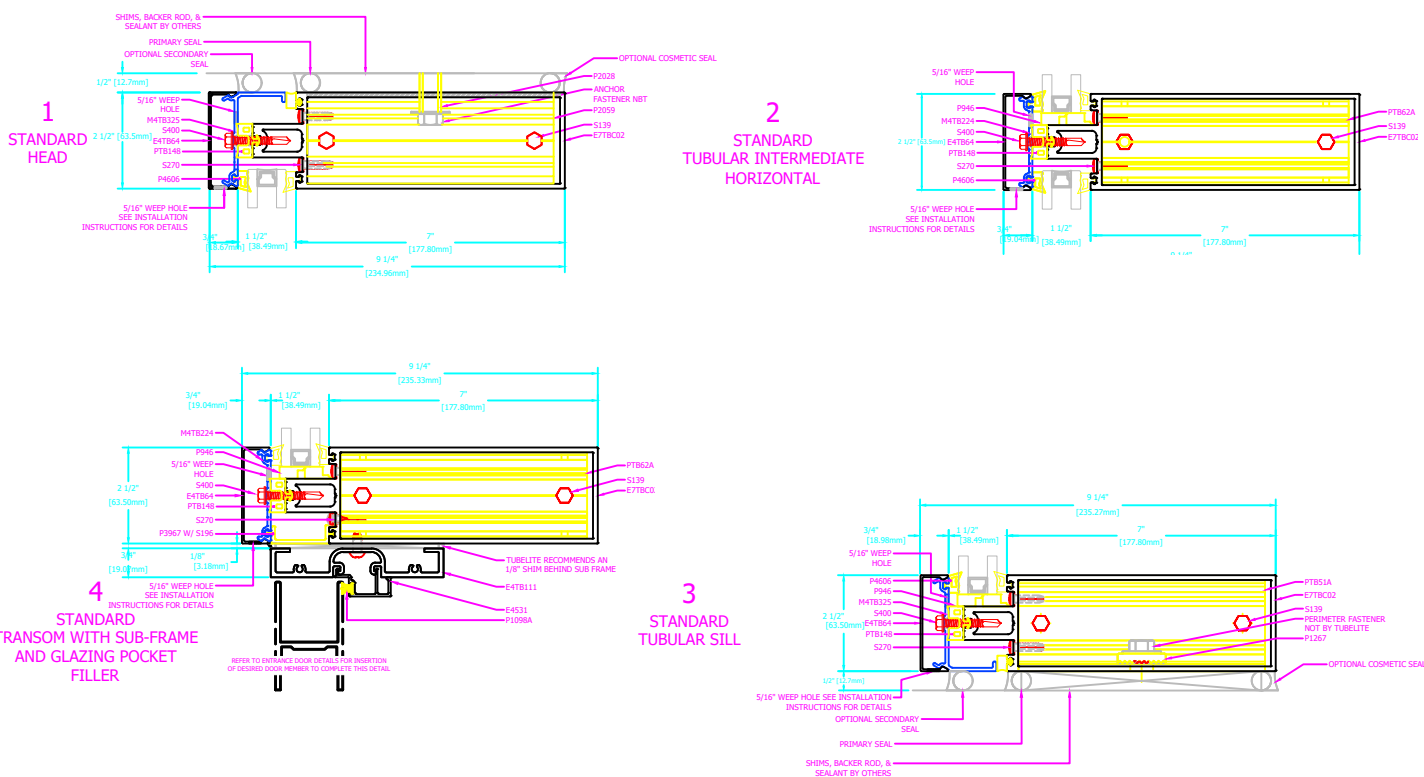


TYPICAL ELEVATION

400T SERIES

400 SERIES CURTAIN WALL PERIMETER SHEET

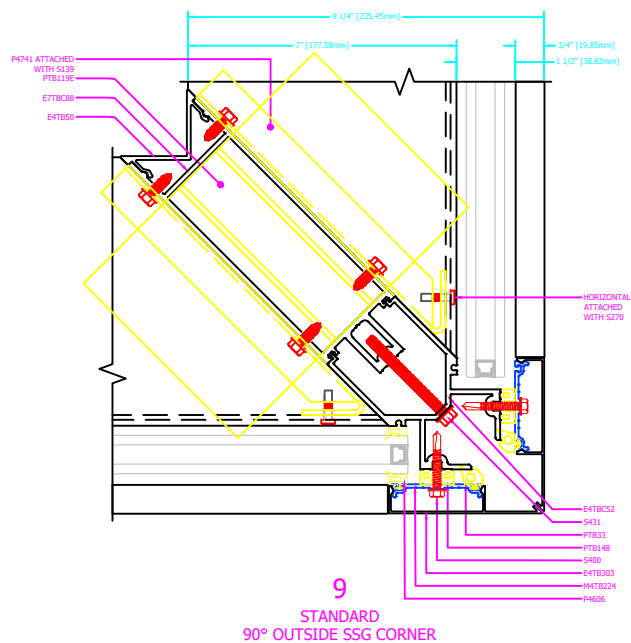
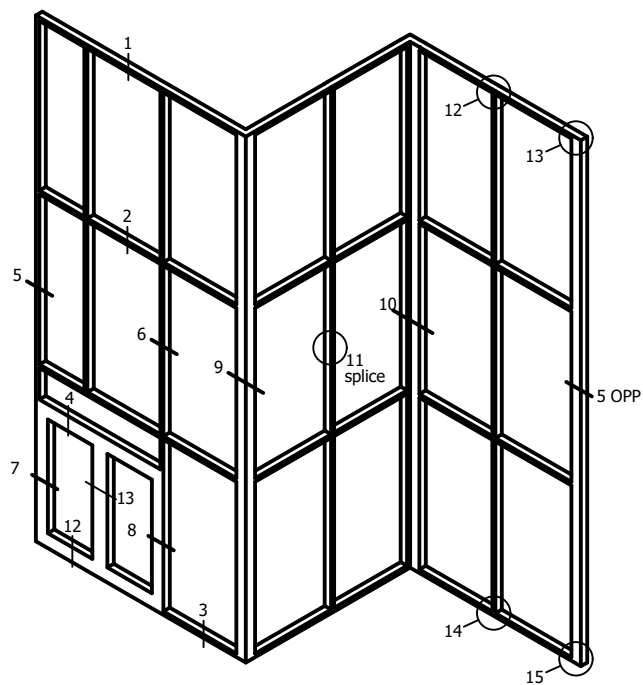
9.25" SYSTEM DEPTH, 7.0" BACK MEMBER



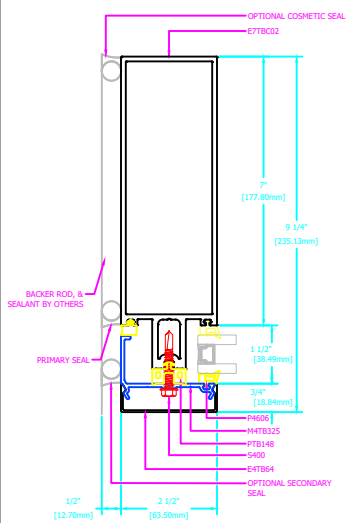
HORIZONTAL DETAILS

Standard Details
1/5 scale

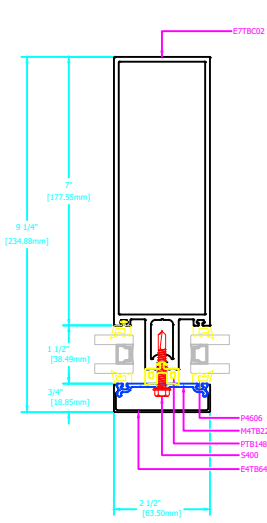
September 2022



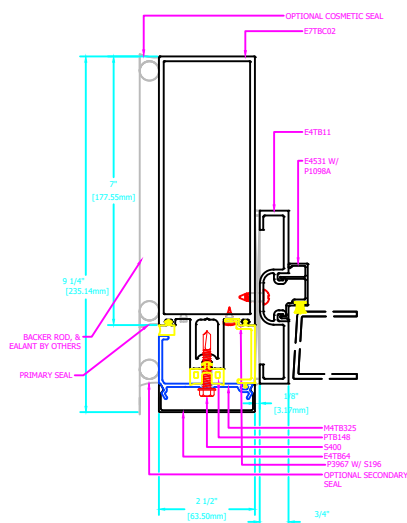
9
STANDARD
90° OUTSIDE SSG CORNER



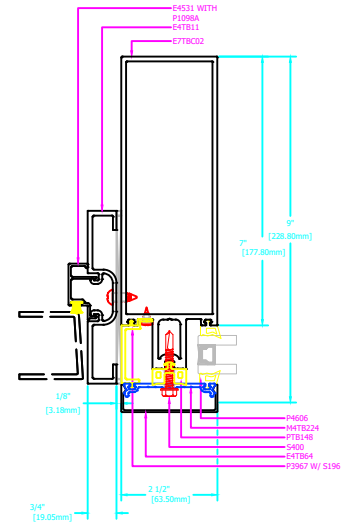
5
STANDARD
TUBULAR JAMB



6
STANDARD
TUBULAR MULLION



7
STANDARD
DOOR JAMB AT PERIMETER PRESSURE
PLATE W/ VINYL POCKET CLOSER

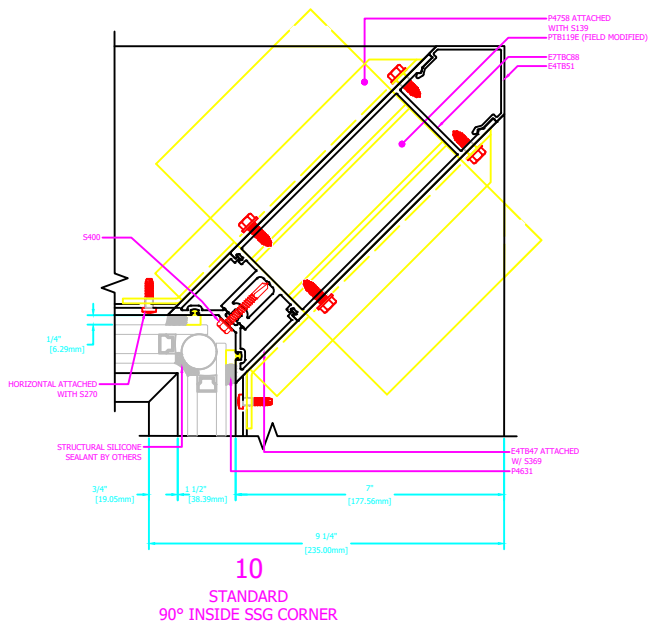
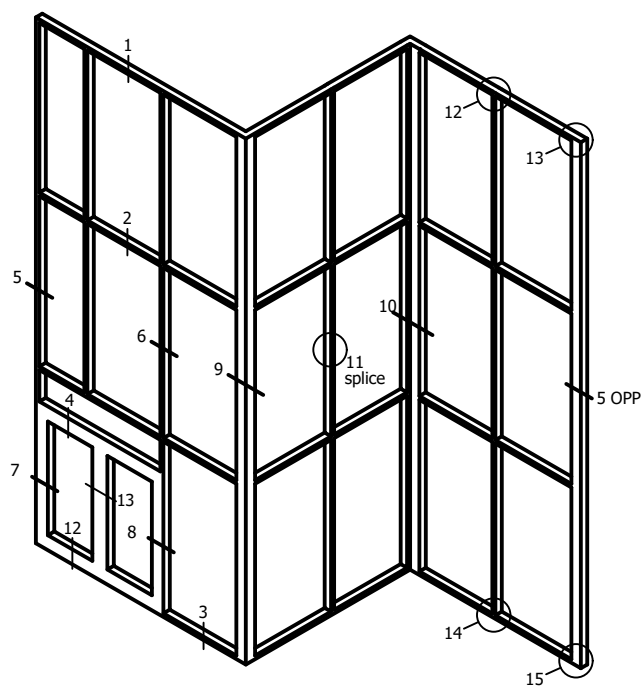


8
STANDARD
DOOR JAMB AT SIDELITE W/
VINYL POCKET CLOSER

VERTICAL DETAILS

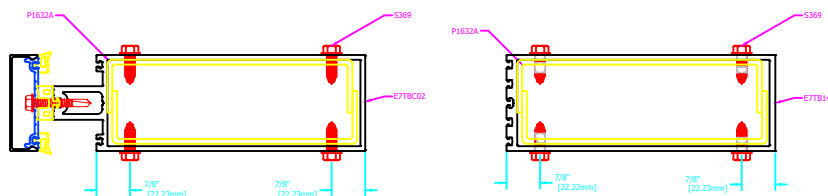
Standard Details
1/5 scale

September 2022

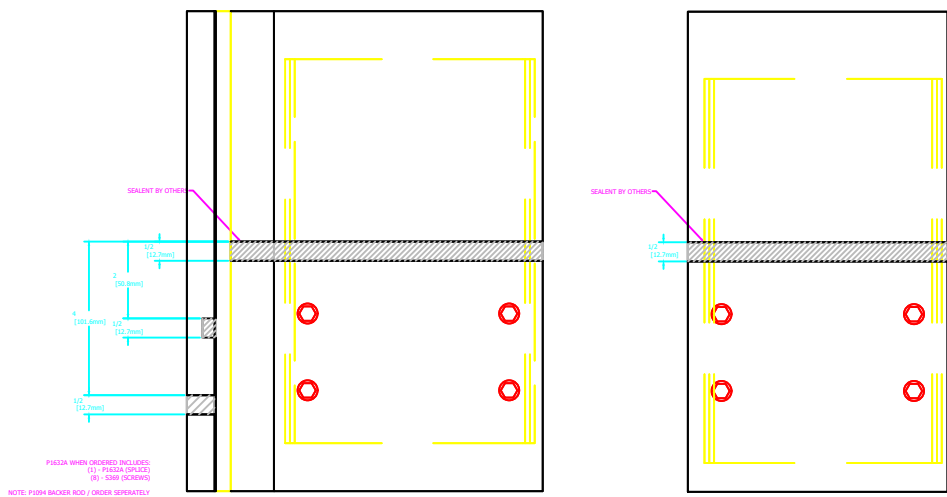


10
STANDARD
90° INSIDE SSG CORNER

VERTICAL DETAILS



NOTE: Use S369 at non-exposed locations, use S6505 at exposed locations.



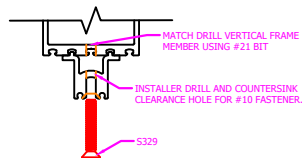
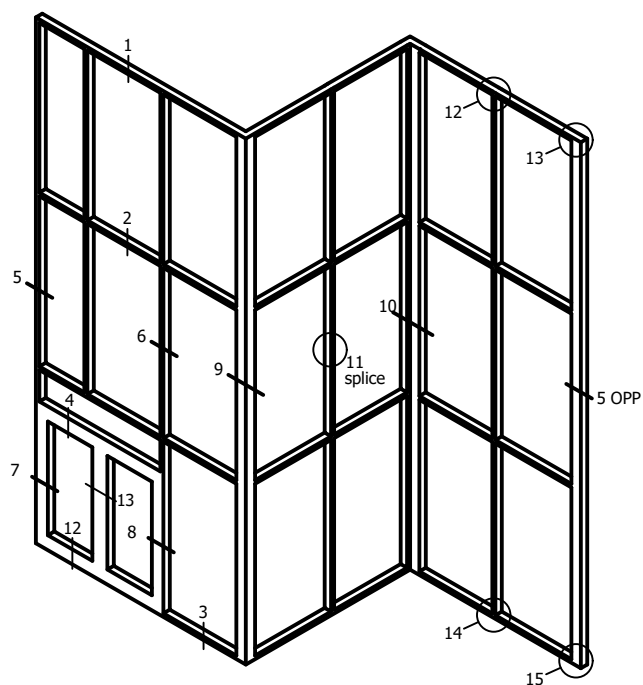
11
STANDARD
CAPTURED VERTICAL SPLICE

11A
STANDARD
SSG VERTICAL SPLICE

SPLICE AND ANCHOR DETAILS

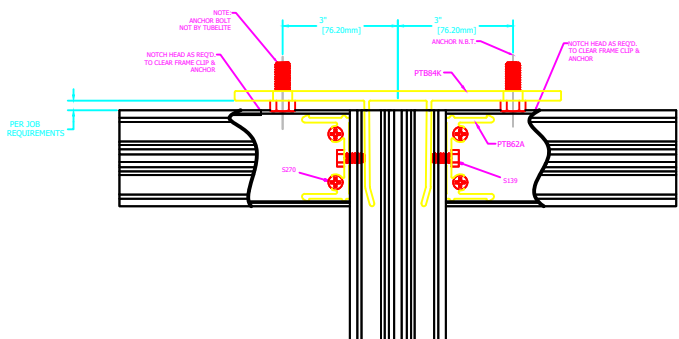
Standard Details
1/5 scale

September 2022

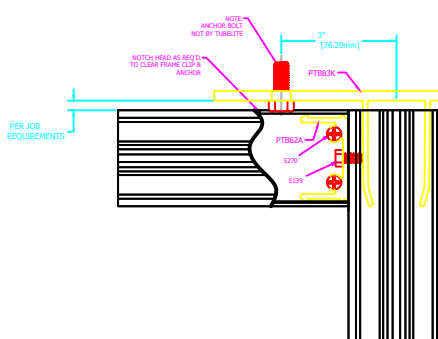


SCREW APPLIED HORN

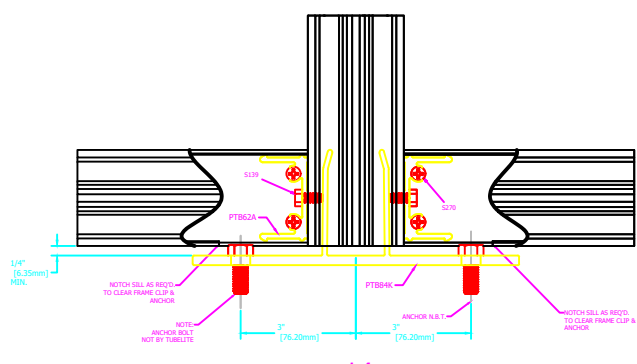
FACE COVER PINNING



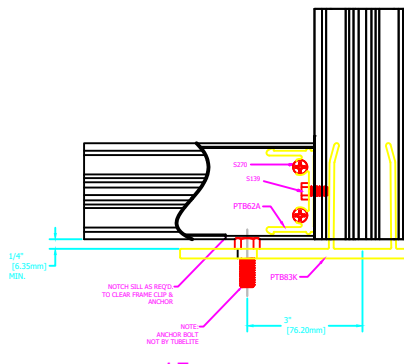
12
STANDARD
"T" ANCHOR AT HEAD



13
STANDARD
"F" ANCHOR AT HEAD



SPLICE AND ANCHOR DETAILS



Standard Details
1/5 scale

September 2022