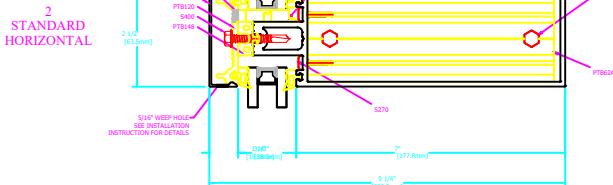
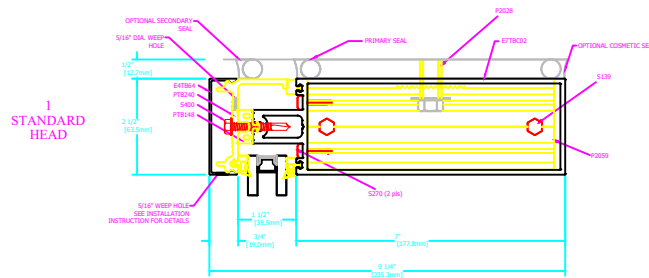
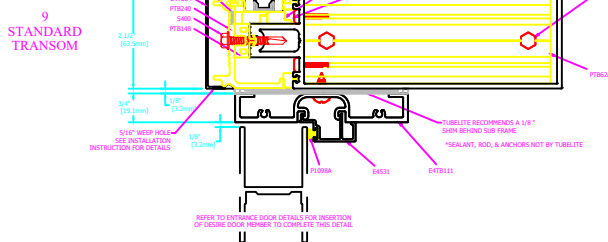
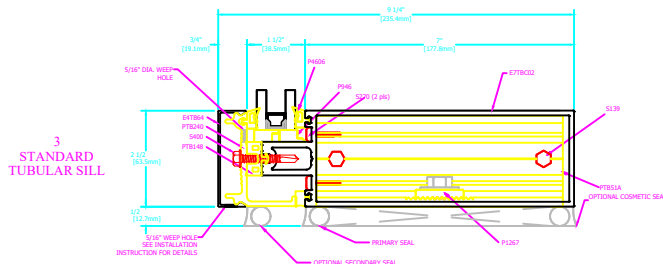


TYPICAL ELEVATION



400T SERIES

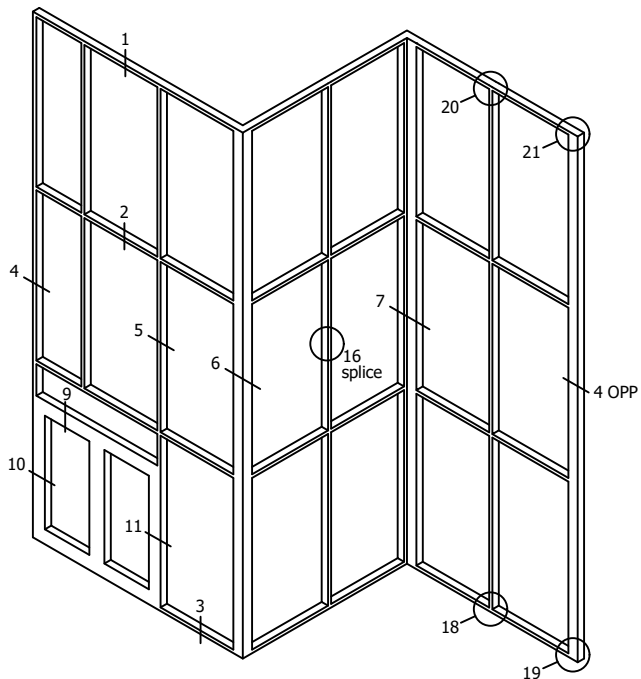
400T SERIES CURTAIN WALL PERIMETER SHEET



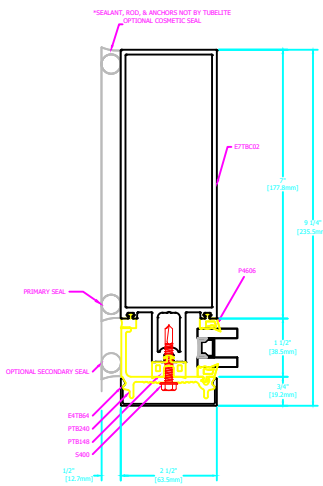
HORIZONTAL DETAILS

Standard Details
1/5 scale

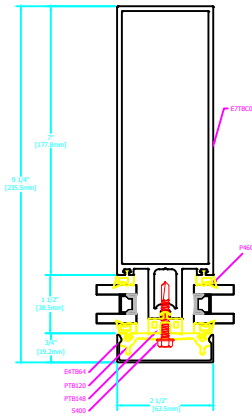
September 2022



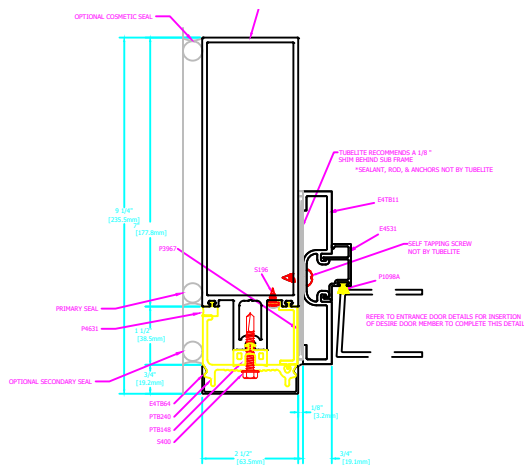
TYPICAL ELEVATION



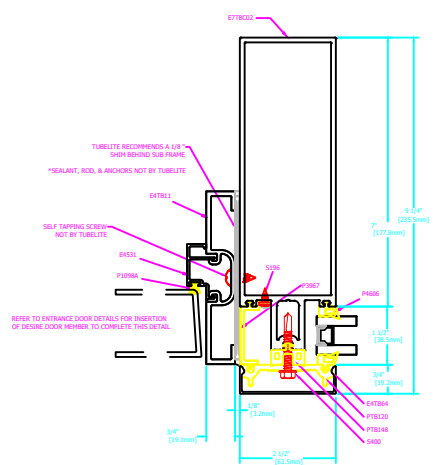
4 STANDARD TUBULAR JAMB



5 STANDARD INTERMEDIATE VERTICAL



10 STANDARD DOOR JAMB

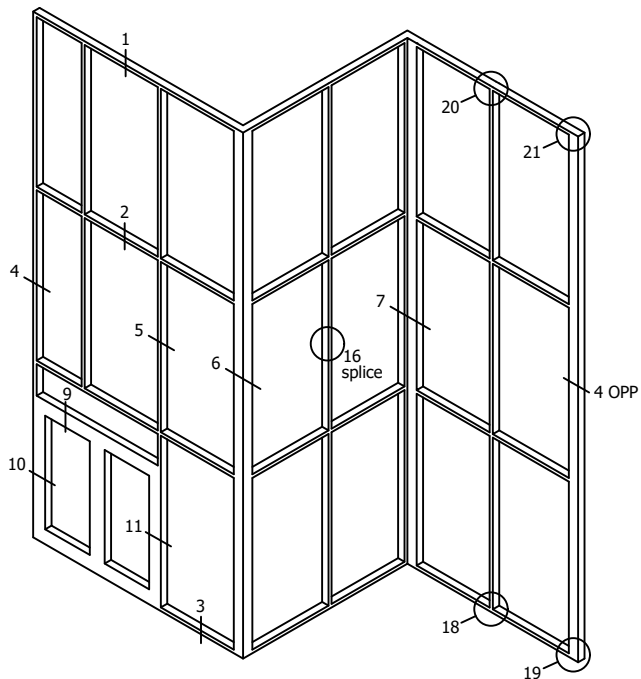


11 STANDARD DOOR JAMB W/SIDE LITE

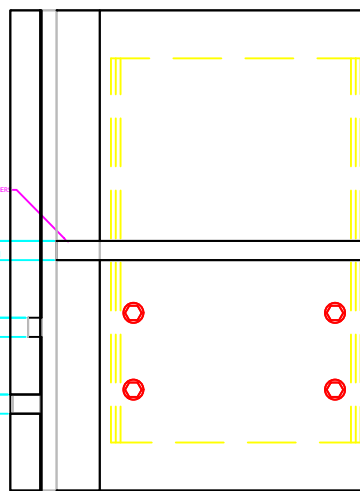
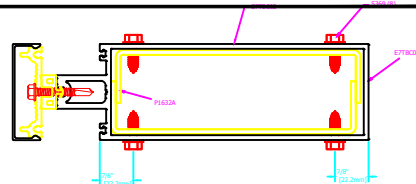
VERTICAL DETAILS

Standard Details
1/5 scale

September 2022

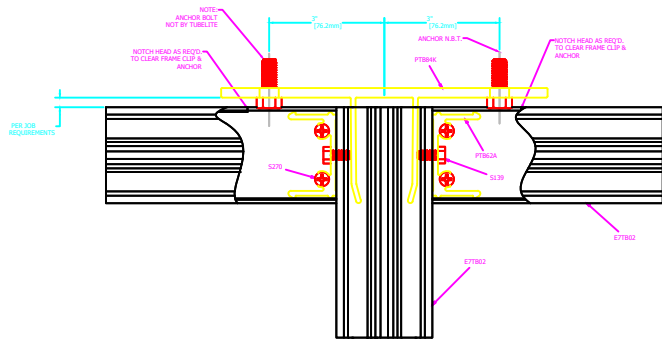


TYPICAL ELEVATION

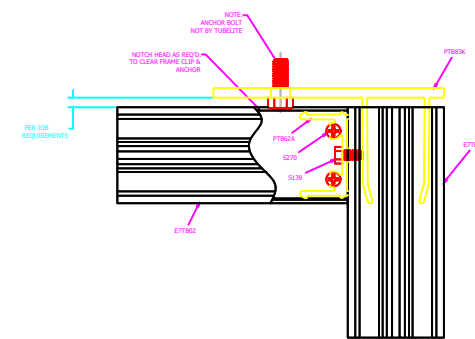


16 STANDARD

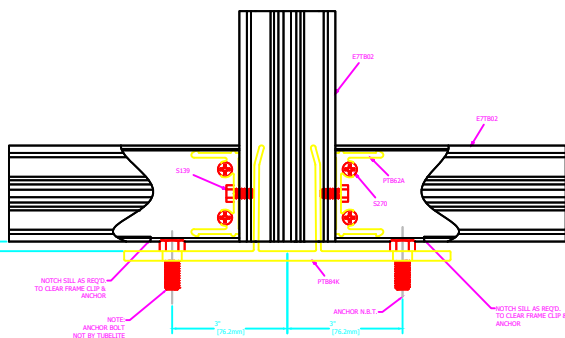
P162DA WHEN ORDERED INCLUDES:
 (A) - P162DA (SPLICE)
 (B) - S270 (SCREWS)
 NOTE: PUSH BACKER ROD (J) ORDER SEPARATELY



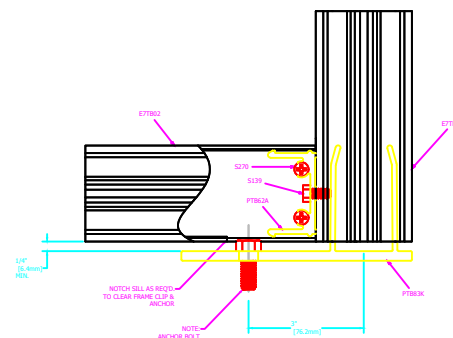
20 STANDARD



21 STANDARD



18 STANDARD



19 STANDARD

SPLICE AND ANCHOR DETAILS

Standard Details
 1/5 scale

September 2022