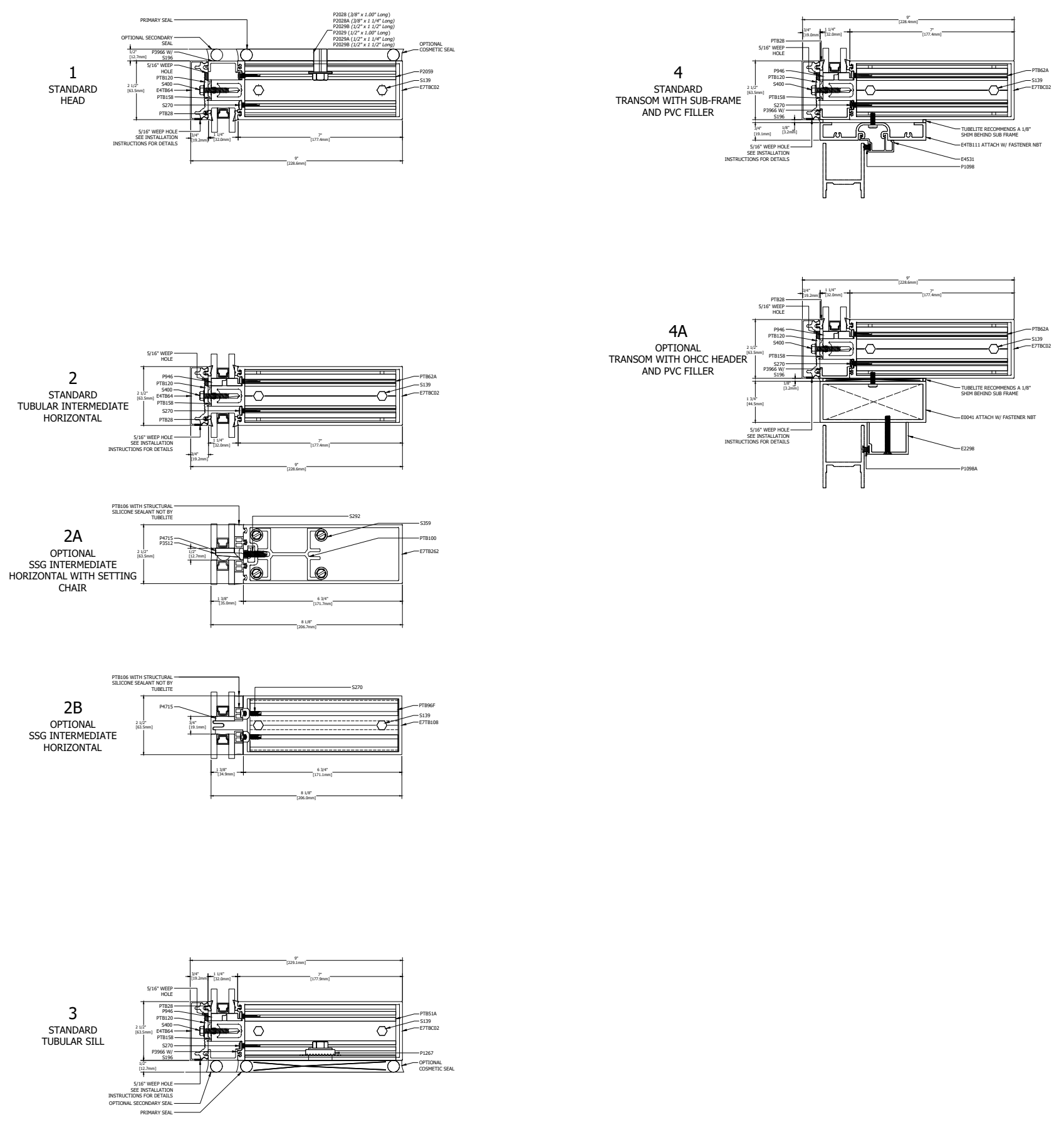


TYPICAL ELEVATION

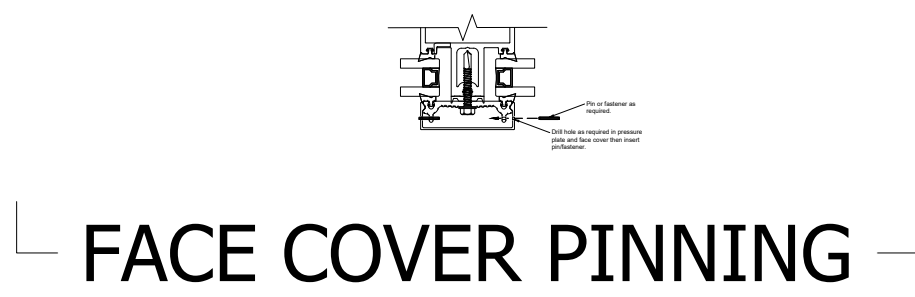
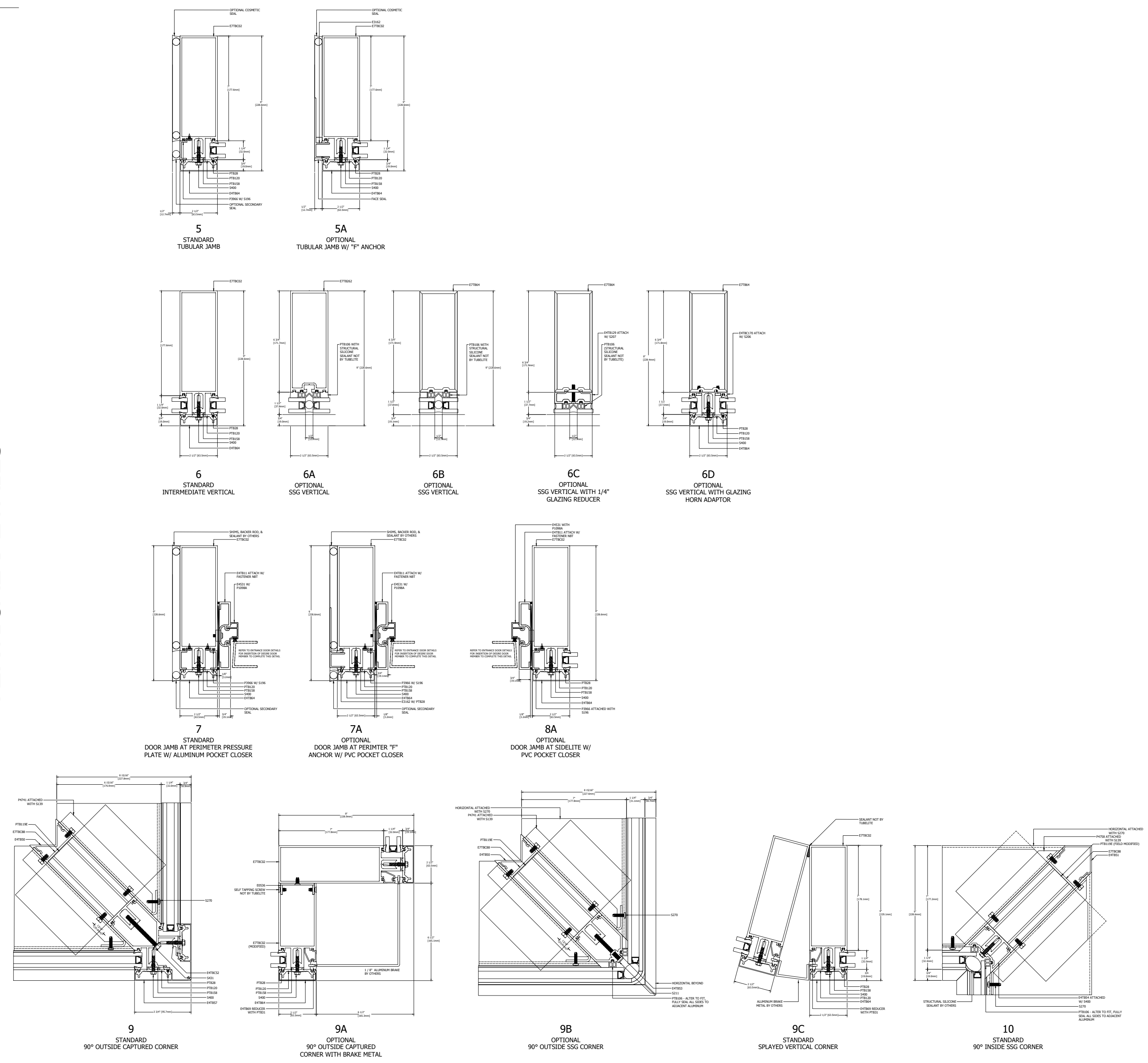
400 SERIES

400CW SERIES CURTAINWALL
PERIMETER SHEET
9" SYSTEM DEPTH, 7" BACK MEMBER
THERMAL PRESSURE PLATE



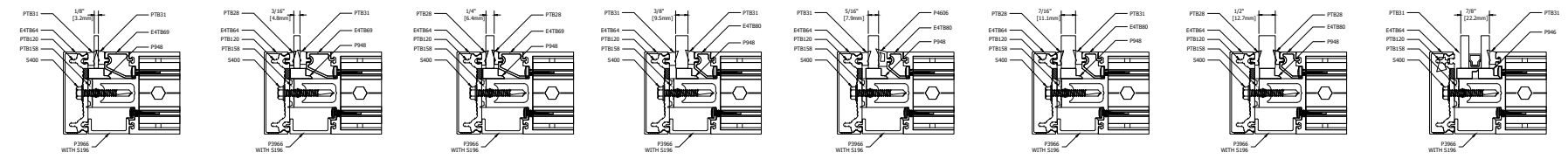
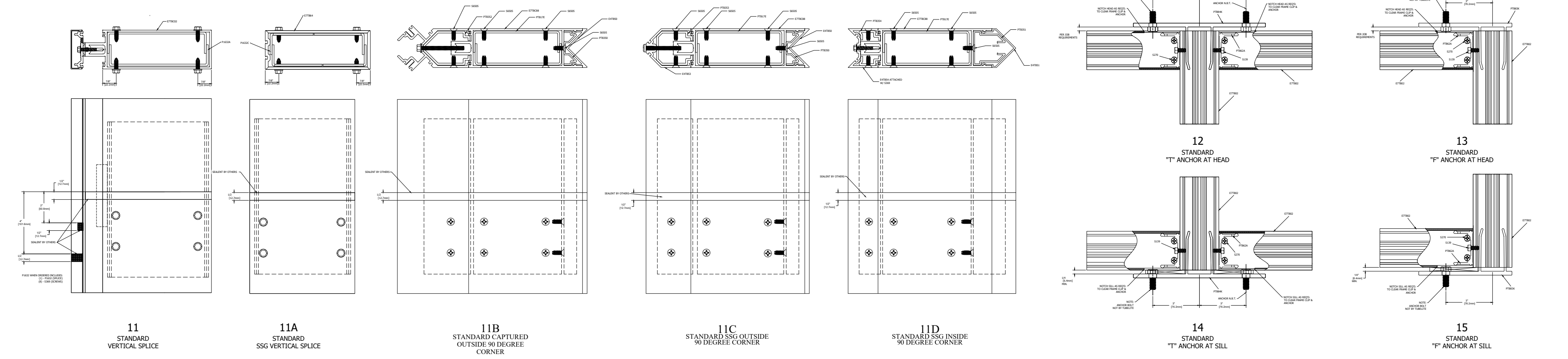
HORIZONTAL DETAILS

VERTICAL DETAILS



FACE COVER PINNING

SPLICE AND ANCHOR DETAILS



GLAZING INFILL OPTIONS

NOTE: TYPICAL GLASS BITE 1/2" FROM DLO UNLESS NOTED AT DETAIL.
GLASS SHOWN DOES NOT NECESSARILY REPRESENT FINAL CONFIGURATION. CONSULT GLASS MANUFACTURER FOR SPECIFIC GLASS MAKE UP.



Last Revised: 4/23/2024