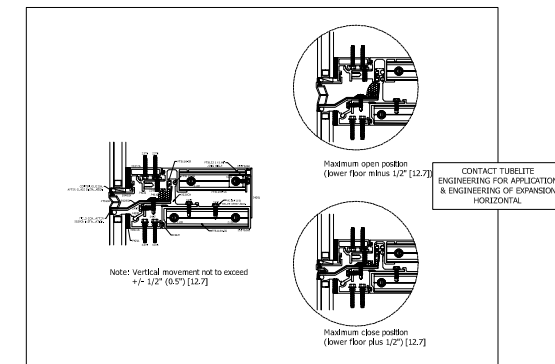
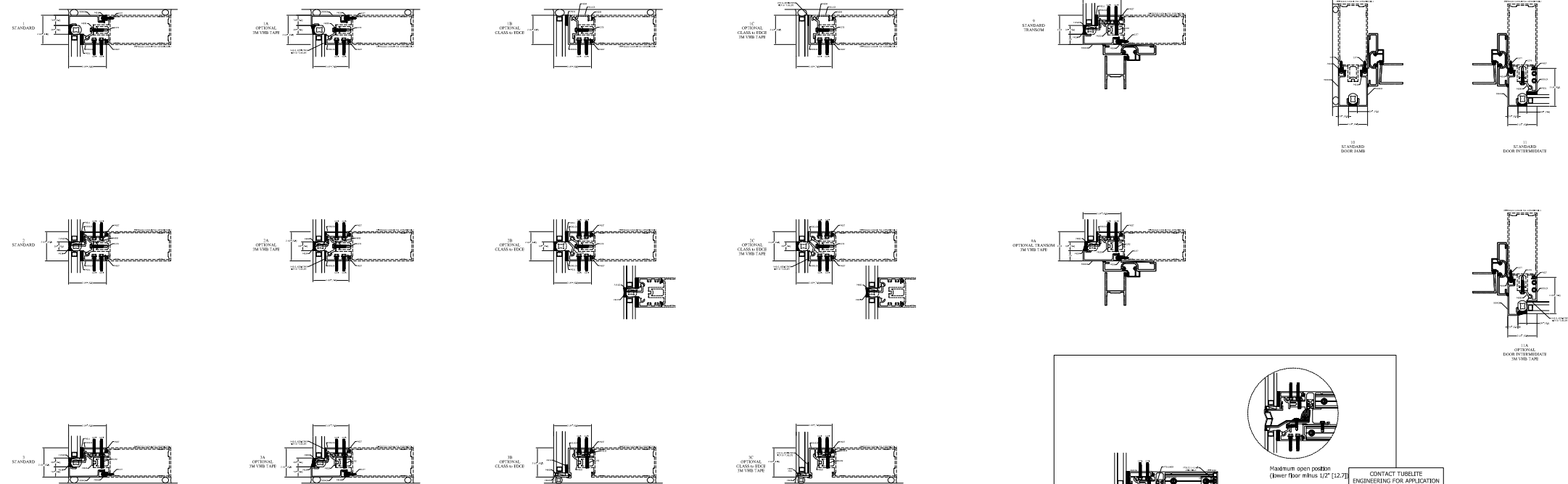


TYPICAL ELEVATION



# 400 CASSETTE SERIES

400 CASSETTE SERIES on 400CW/T BACK MEMBER PERIMETER SHEET  
 S:\Engineering\ENGINEERING DRAWINGS\Details(285)  
 400 CASSETTE SERIES

