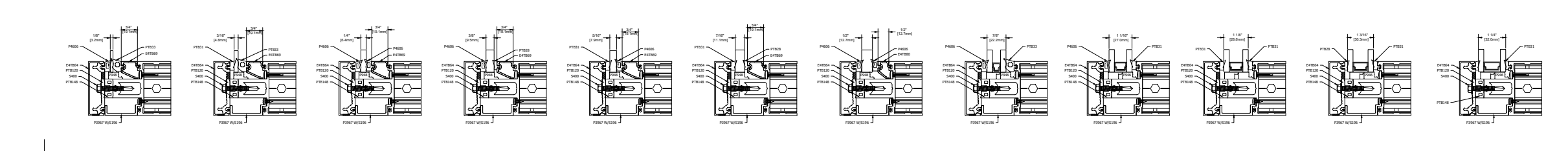
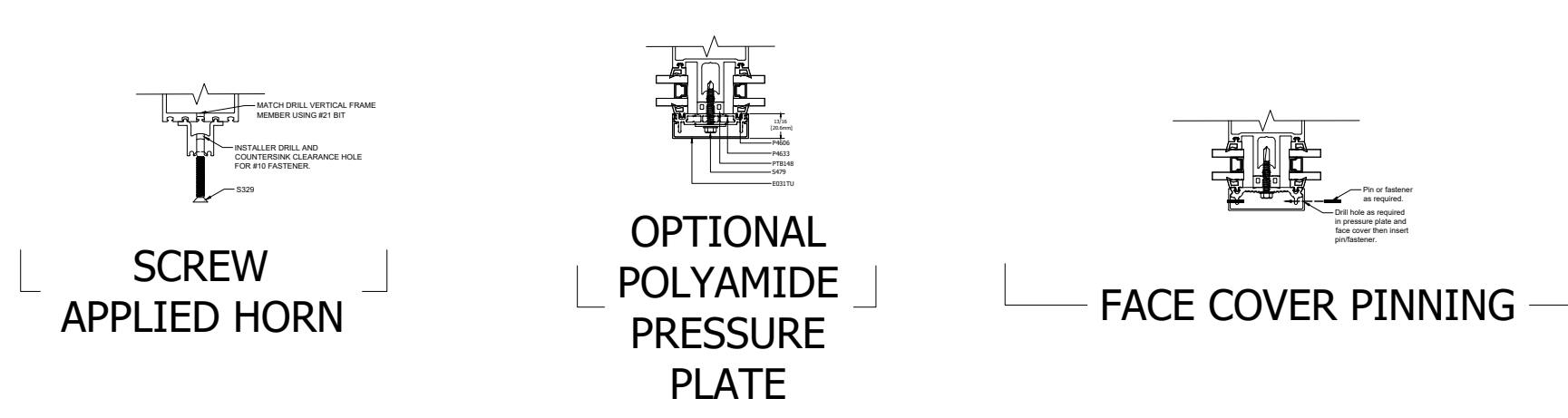
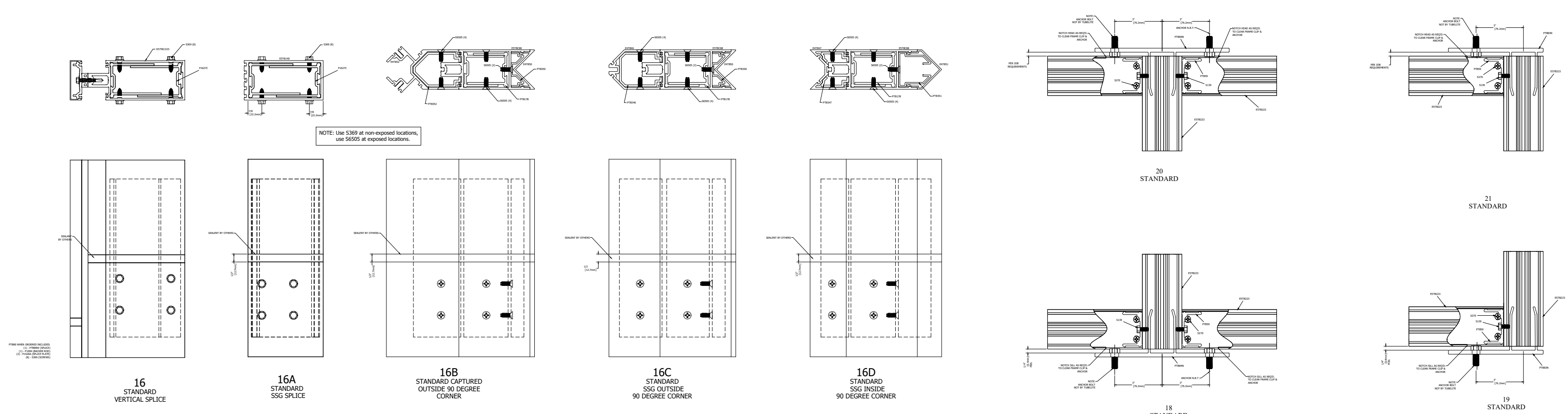
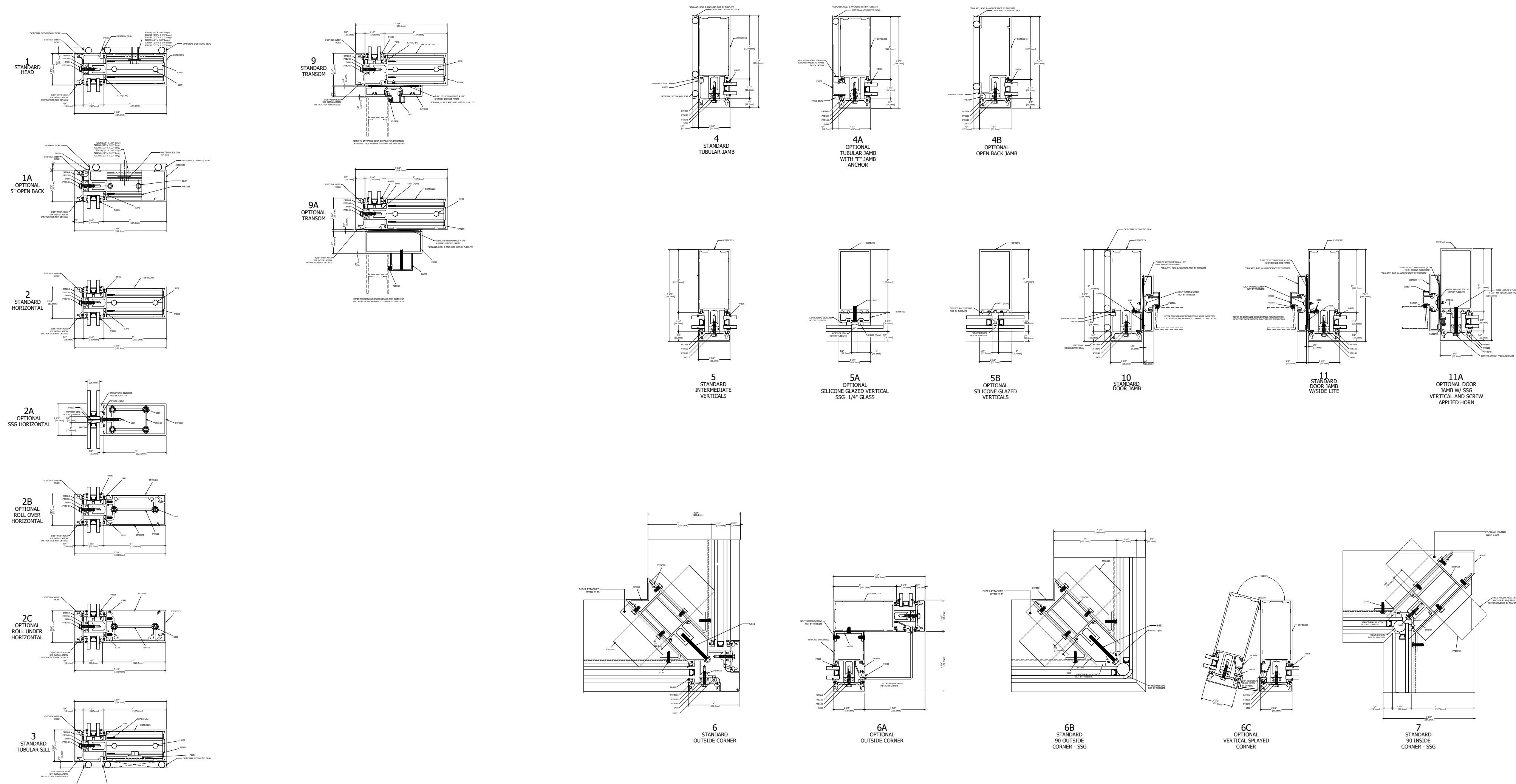


TYPICAL ELEVATION

**400T SERIES**  
 400 SERIES CURTAIN WALL  
 PERIMETER SHEET  
 7.25" SYSTEM DEPTH, 5.0" BACK MEMBER  
 INTERSTORY HORIZONTAL EXPANSION, THERMAL PRESSURE PLATE



NOTE: TYPICAL GLASS BITE 1/2" FROM DLO UNLESS NOTED AT DETAIL.  
 GLAZING INFILL OPTIONS  
 GLASS SHOWN DOES NOT NECESSARILY REPRESENT FINAL CONFIGURATION.  
 CONSULT GLASS MANUFACTURER FOR SPECIFIC GLASS MAKE UP.