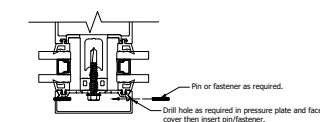


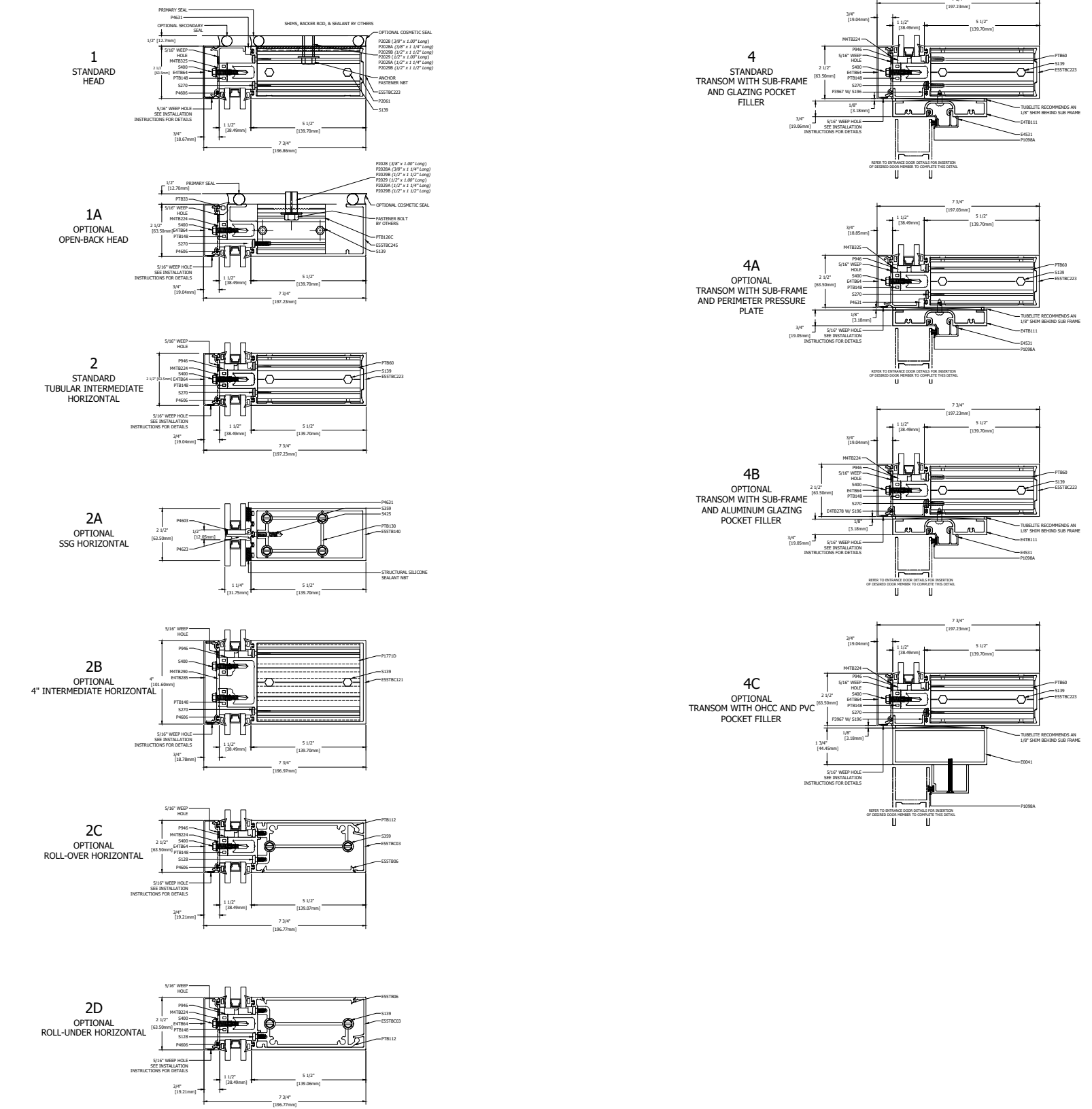
TYPICAL ELEVATION

400T SERIES
 400T SERIES CURTAIN WALL
 PERIMETER SHEET
 7.75" SYSTEM DEPTH, 5.5" BACK MEMBER
 INTERSTORY HORIZONTAL EXPANSION, ALUMINUM PRESSURE PLATE

FOR HIGH THERMAL PERFORMANCE
 PRESSURE PLATES SEE THERMAL
 PRESSURE PLATE PERIMETER SHEET.
 PERIMETER SHEET INCLUDES POLYAMIDE
 PRESSURE PLATE.



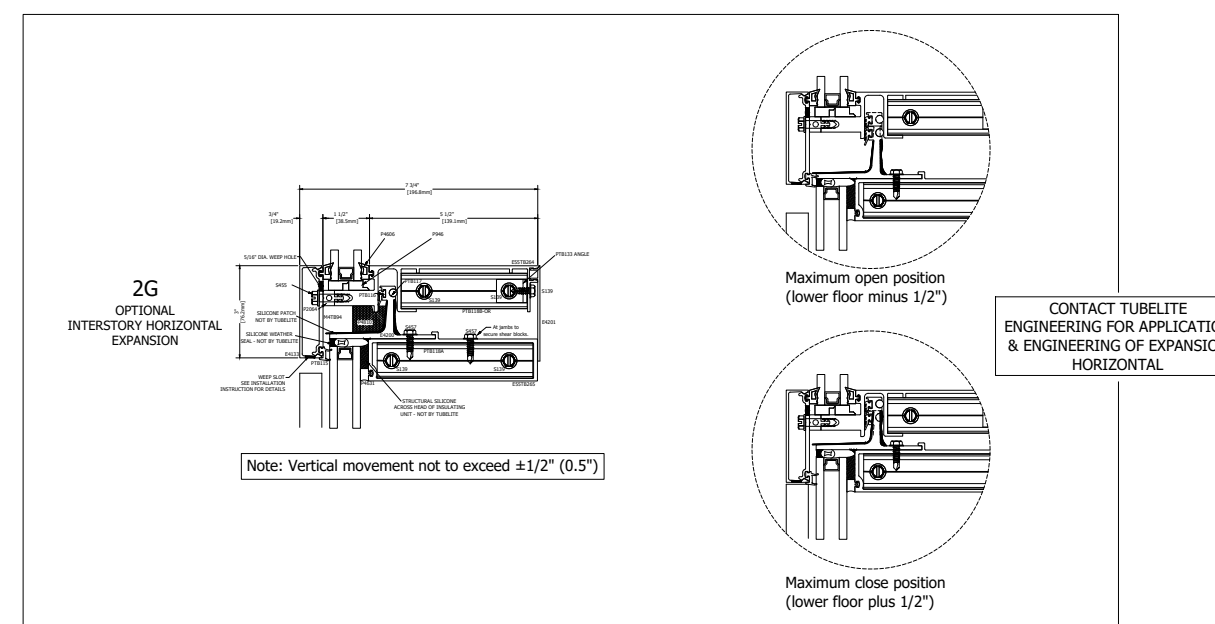
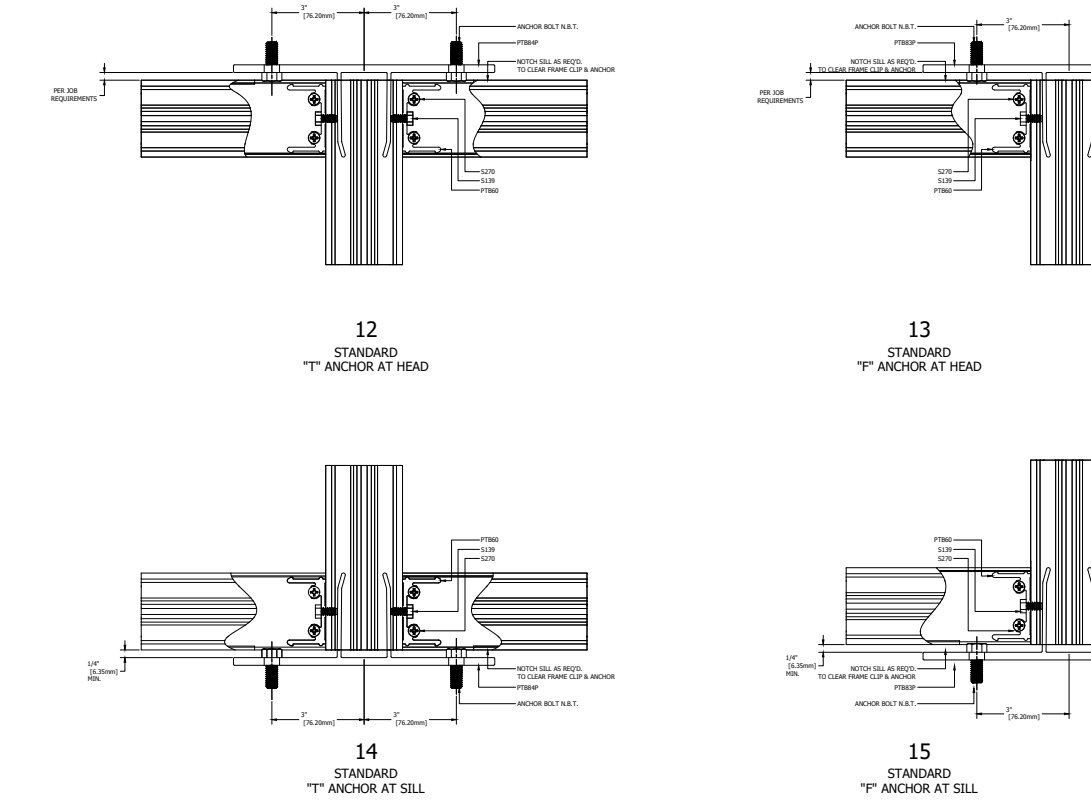
FACE COVER
 PINNING



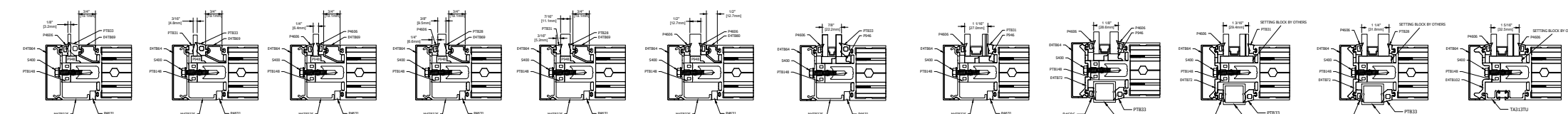
VERTICAL DETAILS



ANCHOR DETAILS



HORIZONTAL DETAILS



GLAZING INFILL OPTIONS

GLASS SHOWN DOES NOT NECESSARILY REPRESENT FINAL CONFIGURATION.
 CONSULT GLASS MANUFACTURER FOR SPECIFIC GLASS MAKE UP.