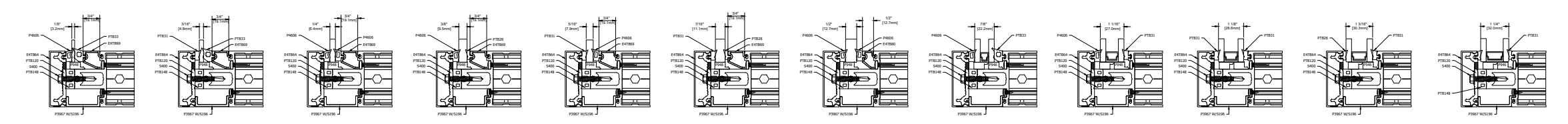
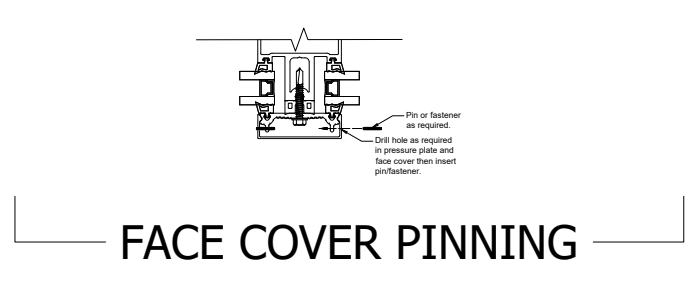
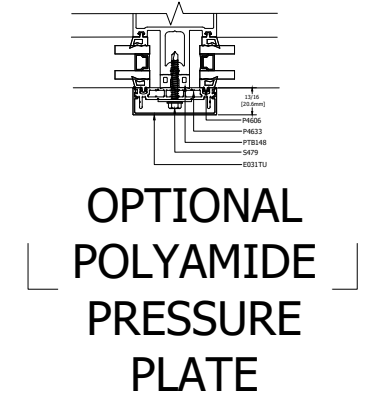
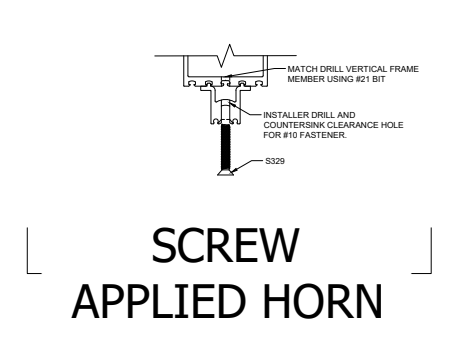
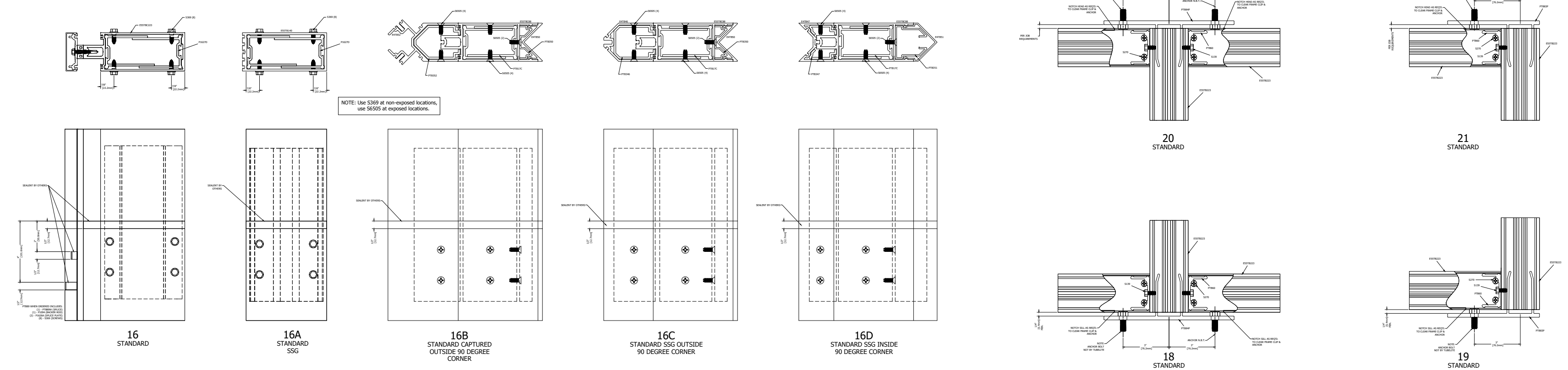
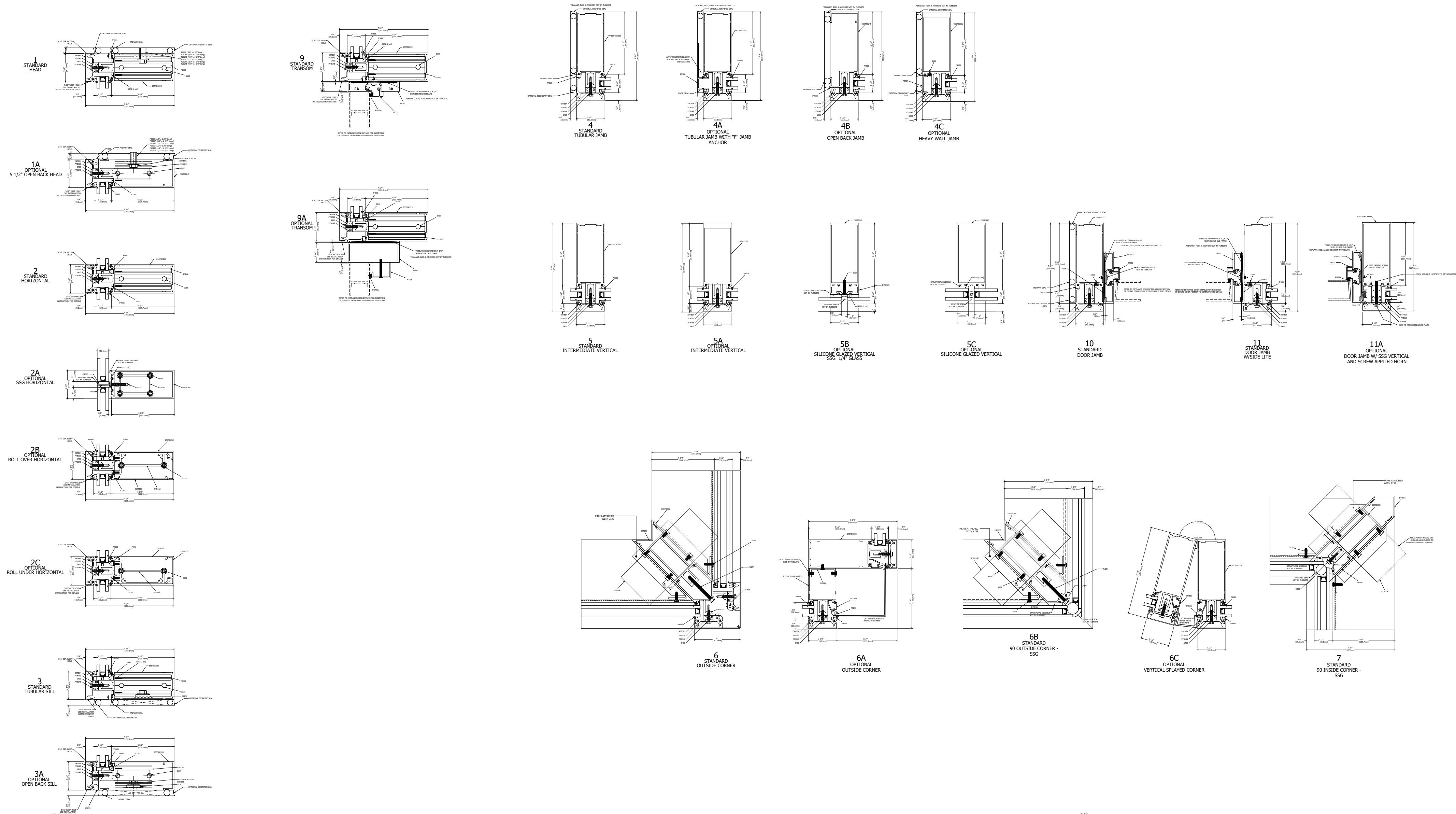


TYPICAL ELEVATION

400T SERIES
 400T SERIES CURTAIN WALL
 PERIMETER SHEET
 7.75" SYSTEM DEPTH, 5.5" BACK MEMBER
 INTERSTORY HORIZONTAL EXPANSION
 THERMAL PRESSURE PLATE



NOTE: TYPICAL GLASS BITE 1/2" FROM DLO UNLESS NOTED AT DETAIL.
 GLASS SHOWN DOES NOT NECESSARILY REPRESENT FINAL CONFIGURATION. CONSULT GLASS MANUFACTURER FOR SPECIFIC GLASS MAKE UP.