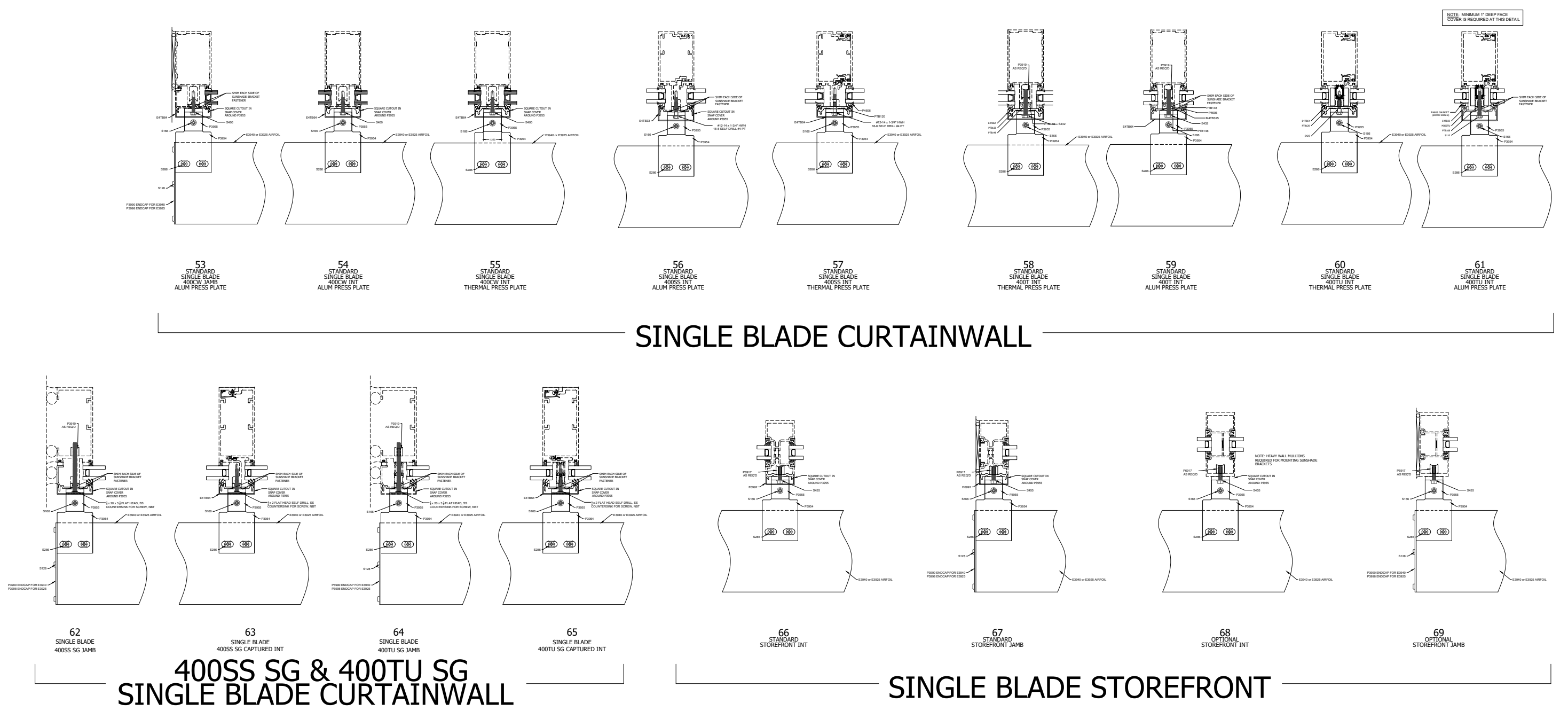


**SINGLE BLADE**

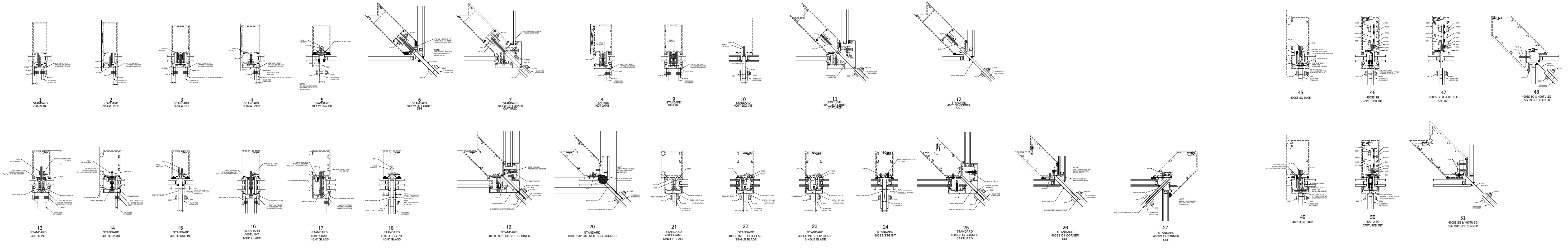
PART NUMBER	"A" LENGTH	BLADE QNT'Y
E3940	6" (152.4)	1
E3925	9" (228.6)	1



TYPICAL OUTRIGGER AND BLADE OPTIONS

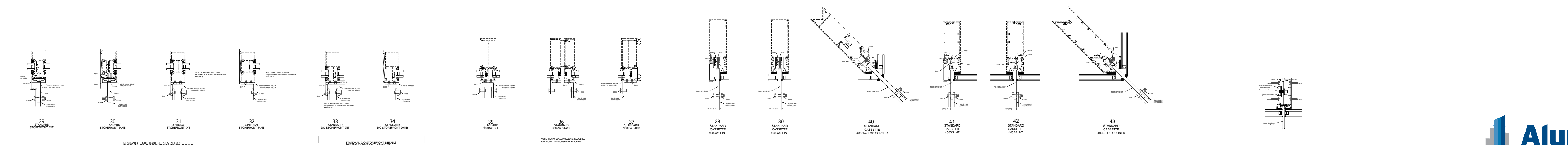
**MAXBLOCK SUNSHADES**

MULTIPLE AND SINGLE BLADE SYSTEMS FOR CURTAIN WALL, WINDOW WALL & STOREFRONT APPLICATIONS



**CURTAINWALL**

**400SS SG & 400TU SG CURTAINWALL**



**STOREFRONT**

**WINDOW WALL**

**CASSETTE**

**950SG WINDOW WALL**

NOTE: SUNSHADE BRACKETS ARE NOT AVAILABLE FOR 400TU BACK MEMBERS AT CASSETTE APPLICATIONS. CONSULT TUBELITE ENGINEERING FOR ALTERNATE USAGE.



LAST REVISED: 2/26/2025