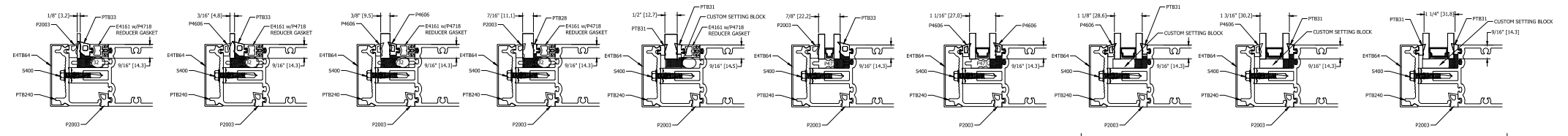
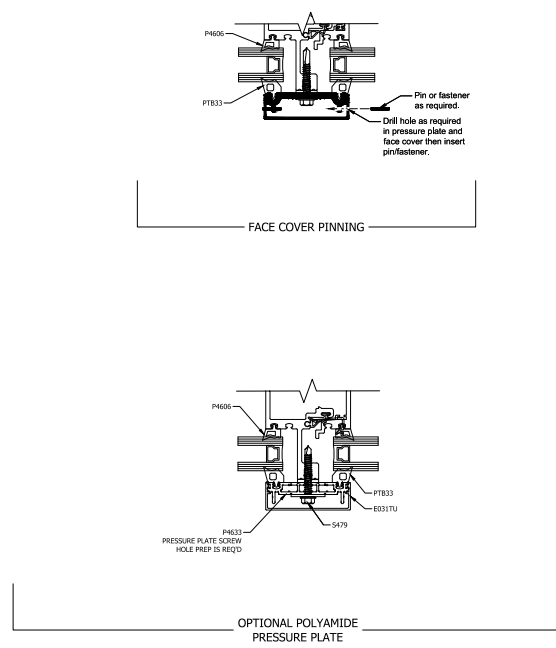
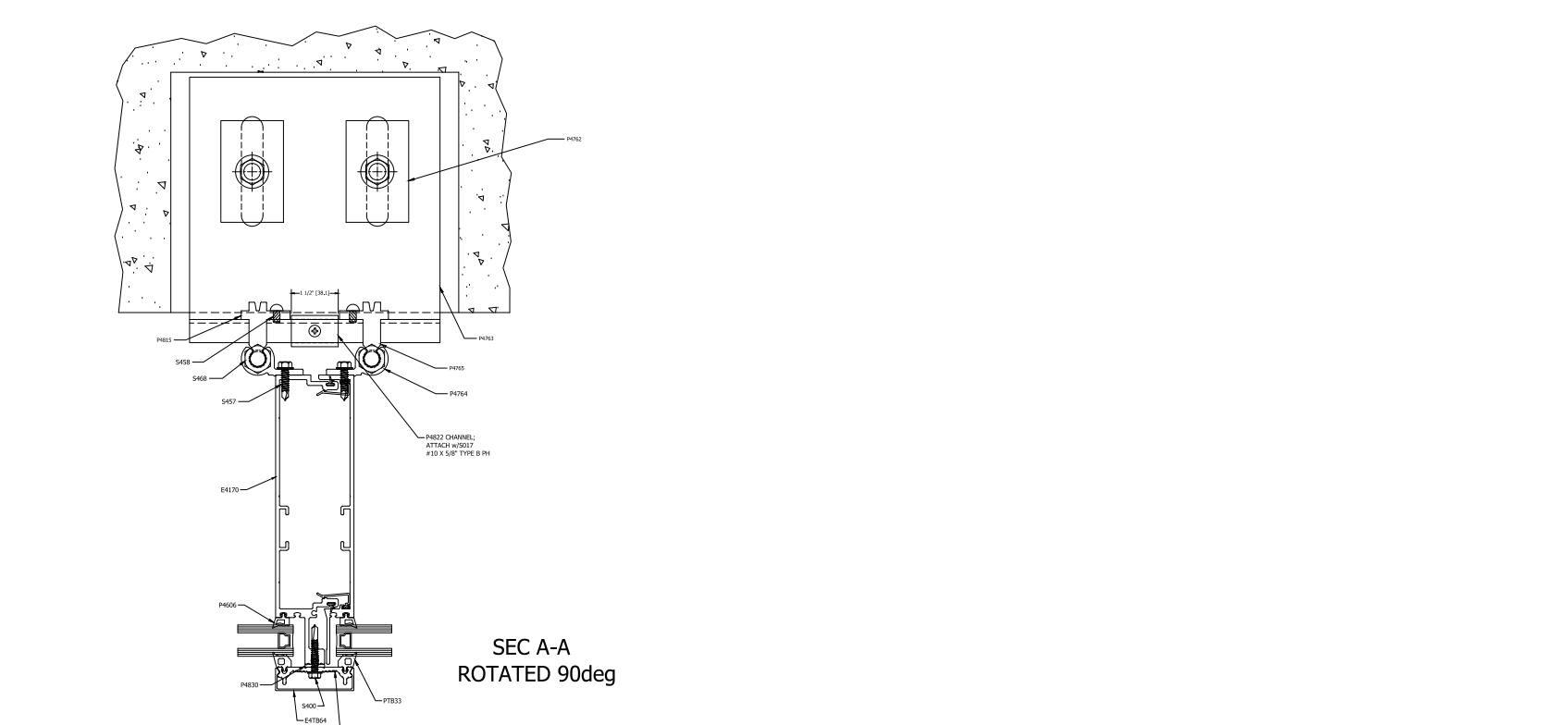
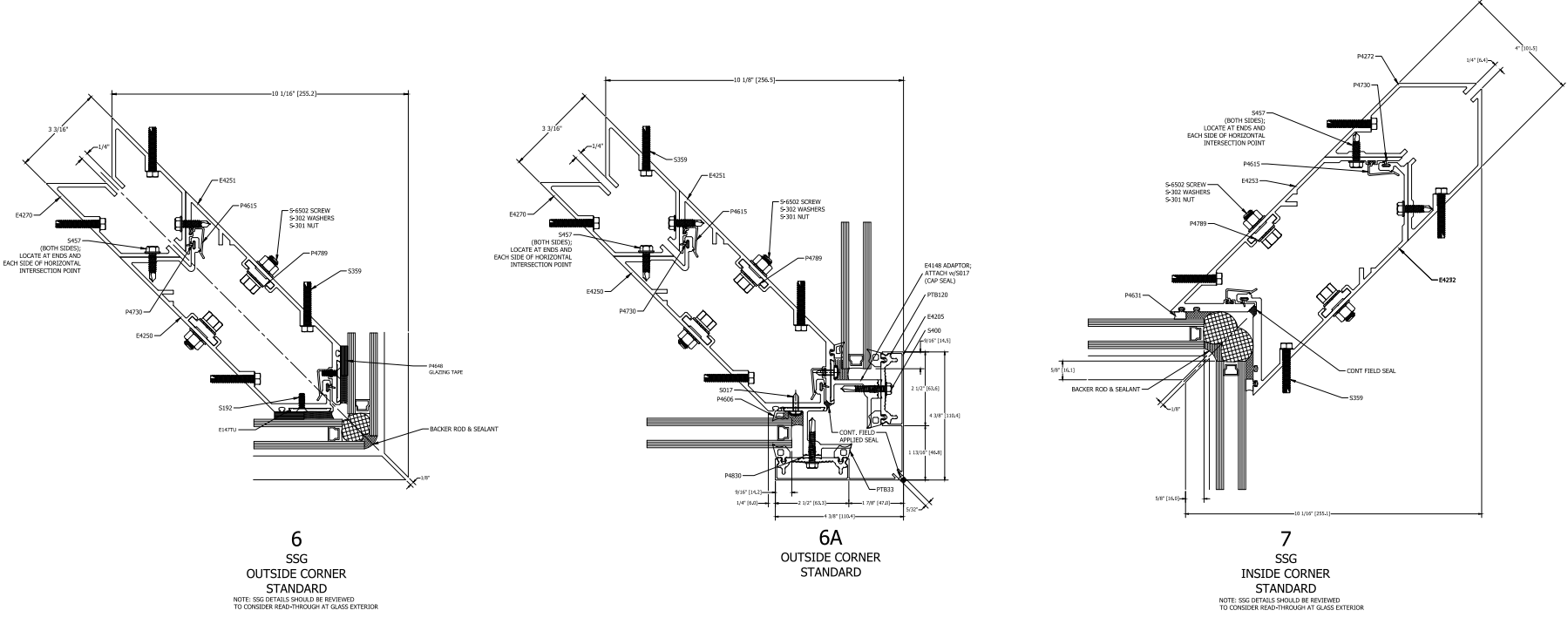
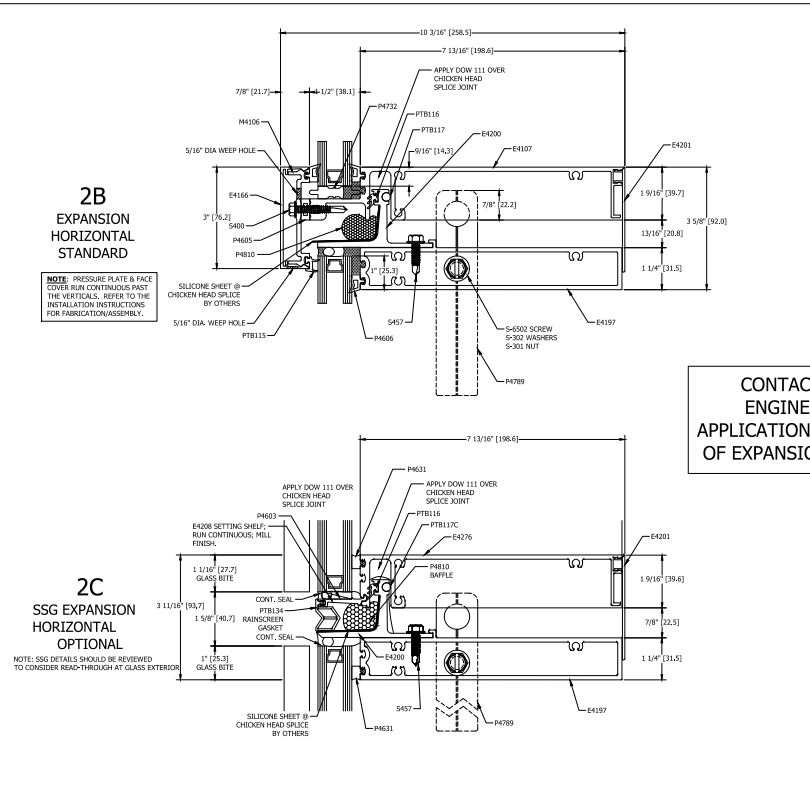
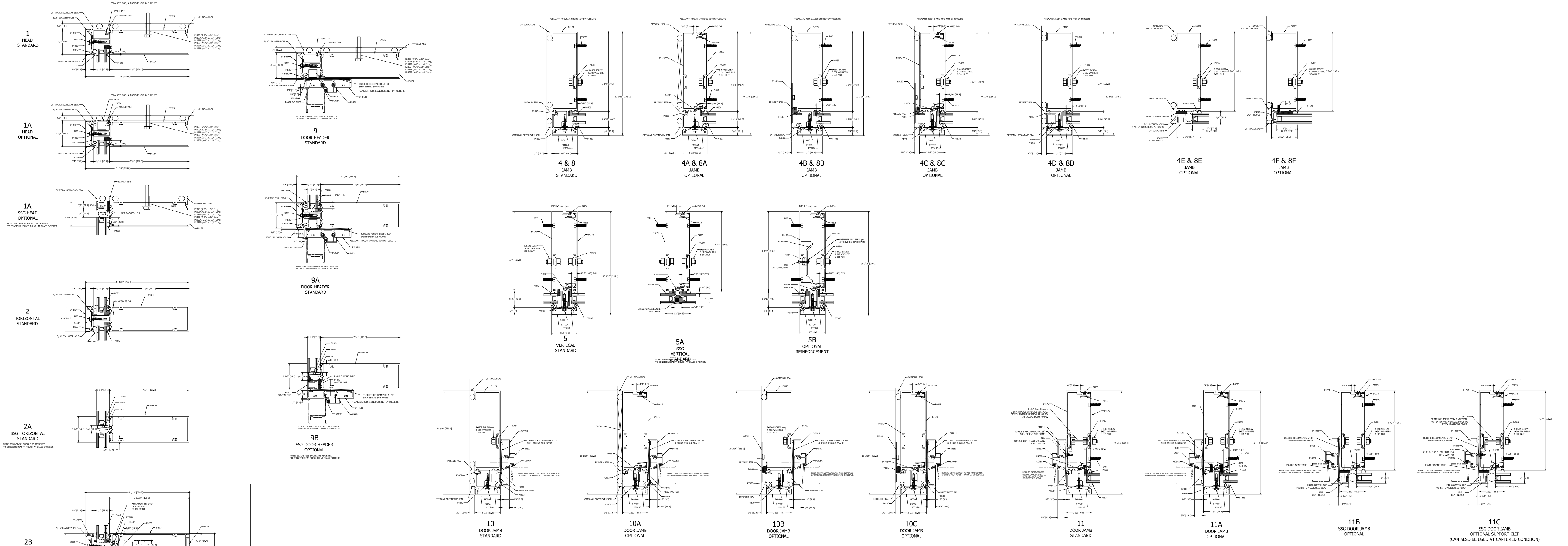


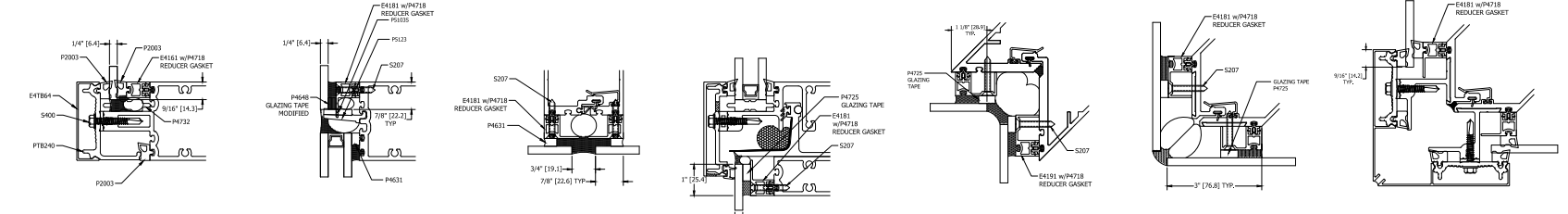
TYPICAL ELEVATION

400SS SHOP GLAZED CURTAIN WALL
 7-3/4" BACK MEMBER
 THERMAL PRESSURE PLATE



OPTIONS FOR NON-TYPICAL INFILL

FOR VERTICAL SSG APPLICATIONS USING THESE GLAZING OPTIONS A SPECIAL VERTICAL SSG MULLION MAY BE REQUIRED TO PROVIDE 1/4" SILICONE JOINT THICKNESS. CONSULT TUBELITE ENGINEERING.



OPTIONS FOR 1/4" INFILL

GLAZING INFILL OPTIONS

GLASS SHOWN DOES NOT NECESSARILY REPRESENT FINAL CONFIGURATION. CONSULT GLASS MANUFACTURER FOR SPECIFIC GLASS MAKE UP.

USE OF SSG VERTICALS WITH THESE GLAZING OPTIONS REQUIRE 1/4" SILICONE JOINT THICKNESS FOR OPTIMUM STRUCTURAL SILICONE PERFORMANCE. CONSULT TUBELITE ENGINEERING FOR ANY CUSTOM CONFIGURATIONS REQUIRED.



Last Revised: 4/23/2024