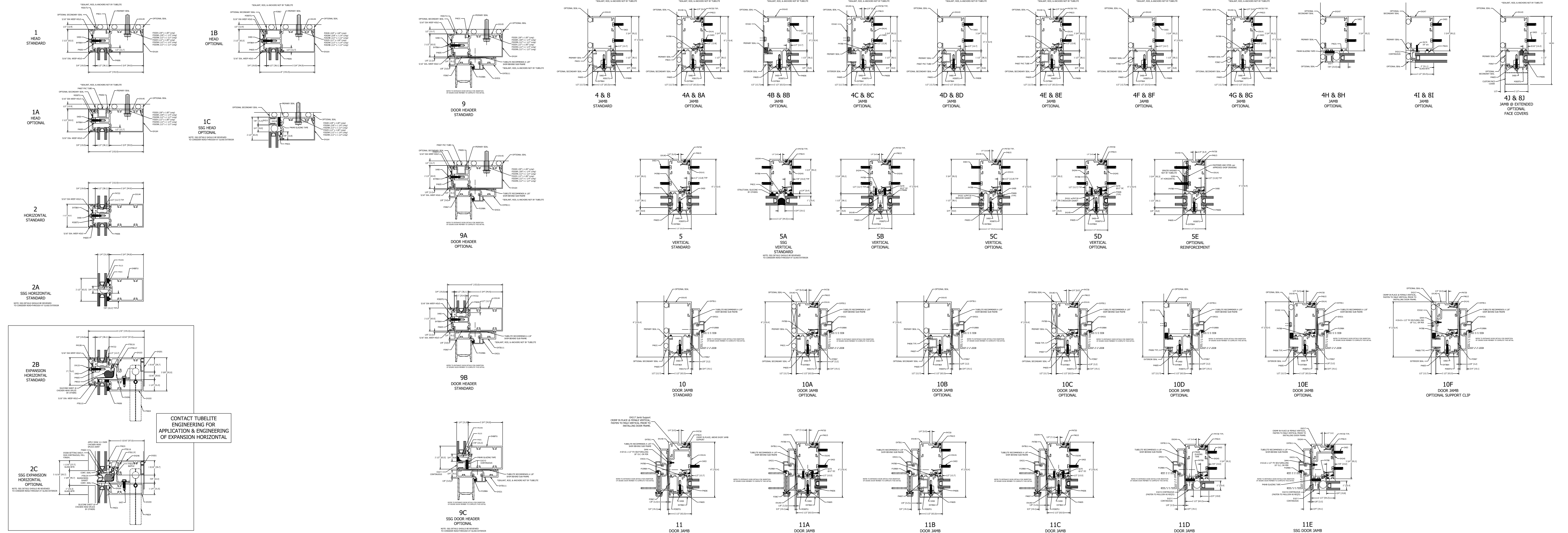


TYPICAL ELEVATION

400SS FIELD GLAZED CURTAIN WALL

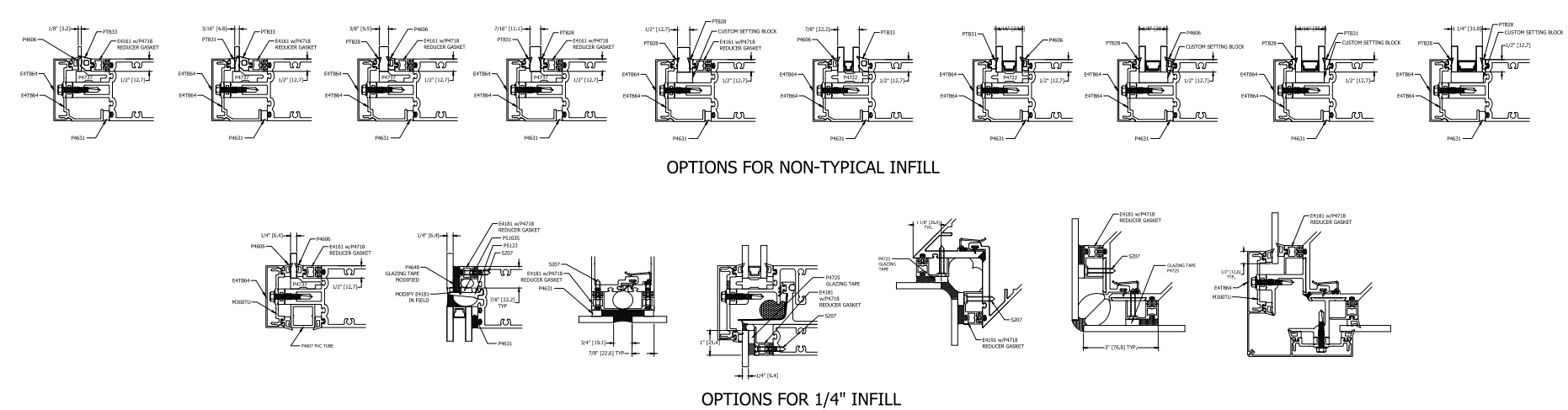
PS_400SS 6-0 SYSTEM DEPTH 3-3/4" BACK MEMBER ALUMINUM PRESSURE PLATE



CONTACT TUBELITE ENGINEERING FOR APPLICATION & ENGINEERING OF EXPANSION HORIZONTAL

FACE COVER PINNING

FOR HIGH THERMAL PERFORMANCE PRESSURE PLATES SEE THERMAL PRESSURE PLATE PERIMETER SHEET. PERIMETER SHEET INCLUDES POLYAMIDE PRESSURE PLATE.



GLAZING INFILL OPTIONS
GLASS SHOWN DOES NOT NECESSARILY REPRESENT FINAL CONFIGURATION. CONSULT GLASS MANUFACTURER FOR SPECIFIC GLASS MAKE UP.

