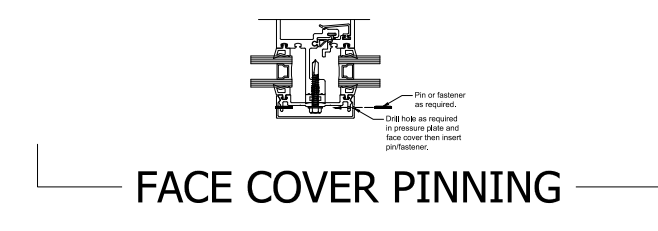
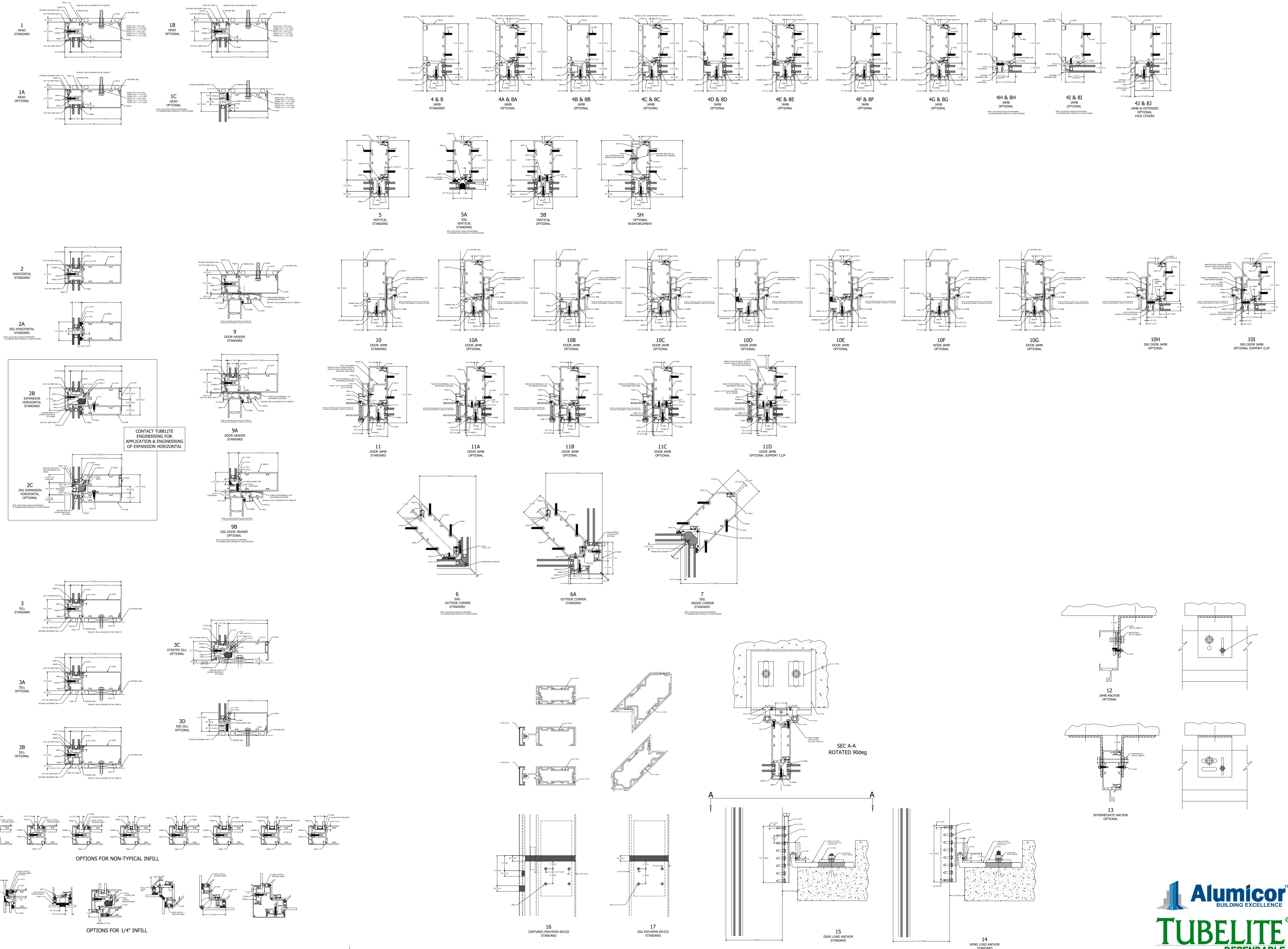


TYPICAL ELEVATION

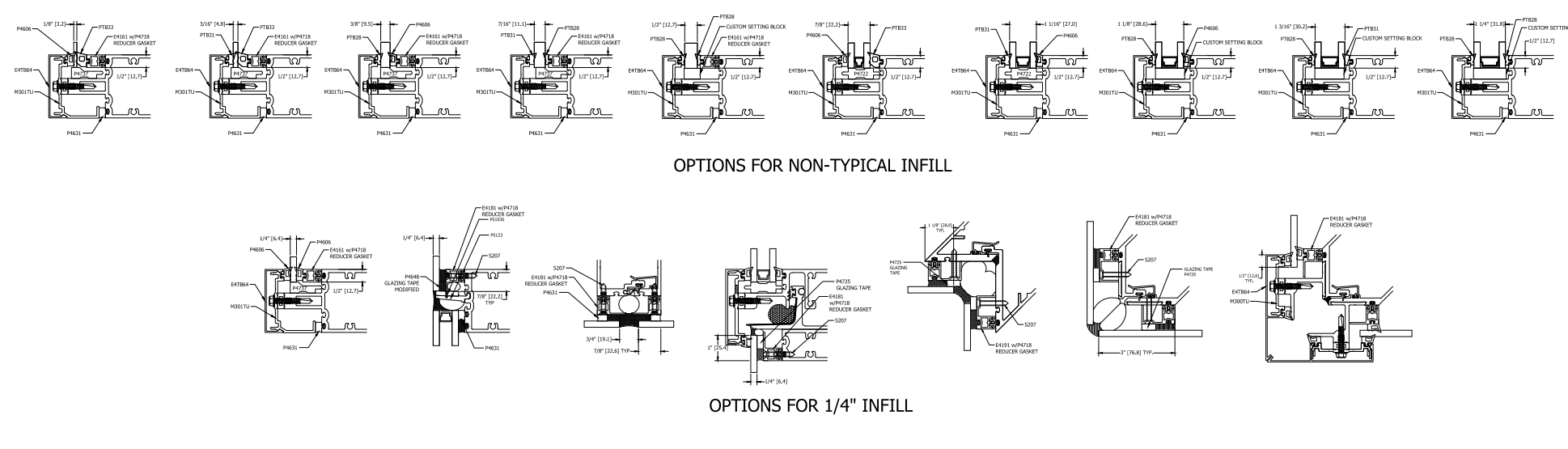
### 400SS FIELD GLAZED CURTAIN WALL

PS\_400SS 7-1/2" SYSTEM DEPTH 5-1/4" BACK MEMBER ALUMINUM PRESSURE PLATE



FACE COVER PINNING

FOR HIGH THERMAL PERFORMANCE PRESSURE PLATES SEE THERMAL PRESSURE PLATE PERIMETER SHEET. PERIMETER SHEET INCLUDES POLYAMIDE PRESSURE PLATE.



GLAZING INFILL OPTIONS  
GLASS SHOWN DOES NOT NECESSARILY REPRESENT FINAL CONFIGURATION. CONSULT GLASS MANUFACTURER FOR SPECIFIC GLASS MAKE UP.