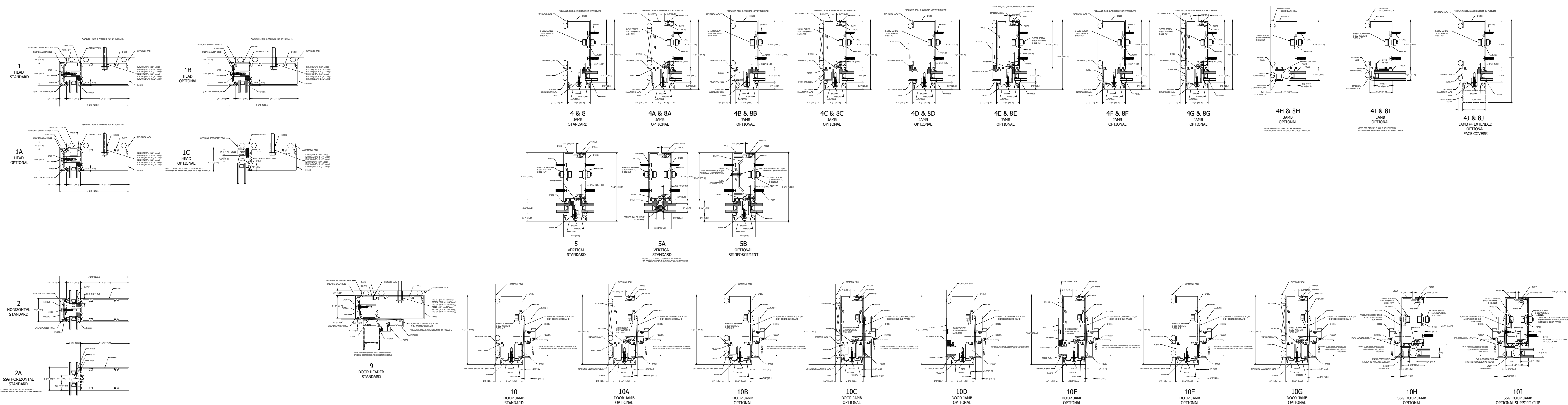
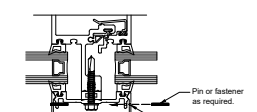
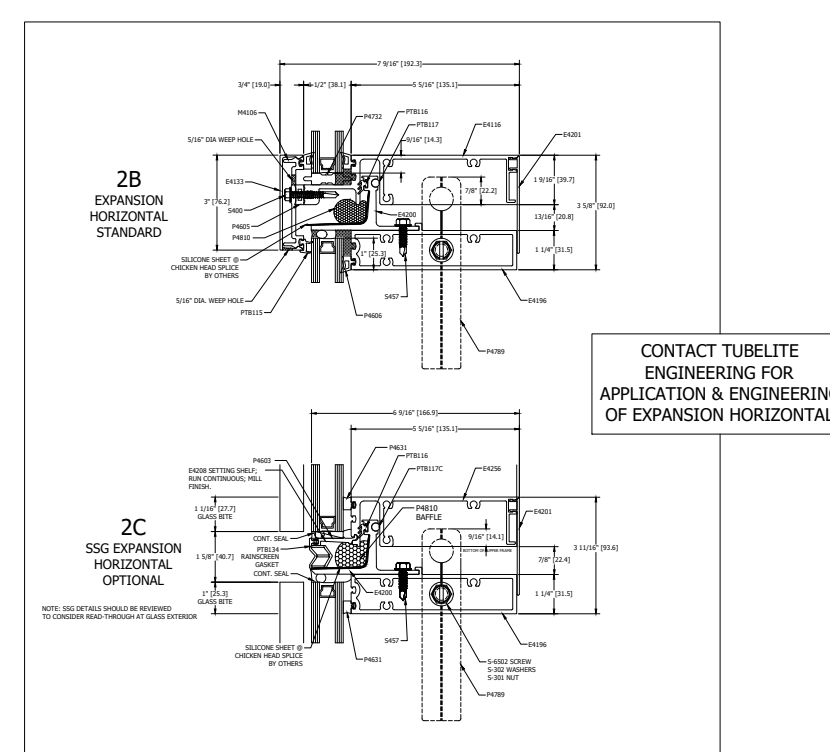


TYPICAL ELEVATION



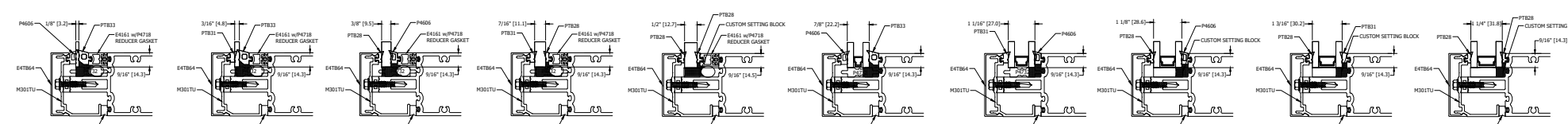
400SS SHOP GLAZED CURTAIN WALL

PS_400SS 7.5 SYSTEM DEPTH 5-1/4" BACK MEMBER ALUMINUM PRESSURE PLATE

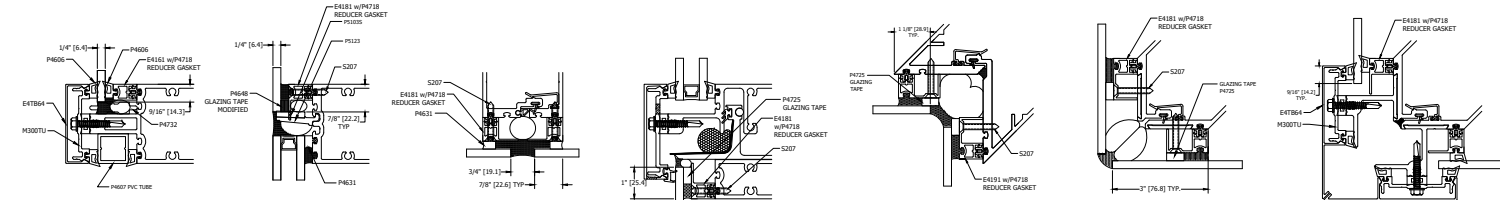


FACE COVER PINNING

FOR HIGH THERMAL PERFORMANCE PRESSURE PLATES SEE THERMAL PRESSURE PLATE PERIMETER SHEET. PERIMETER SHEET INCLUDES POLYAMIDE PRESSURE PLATE.

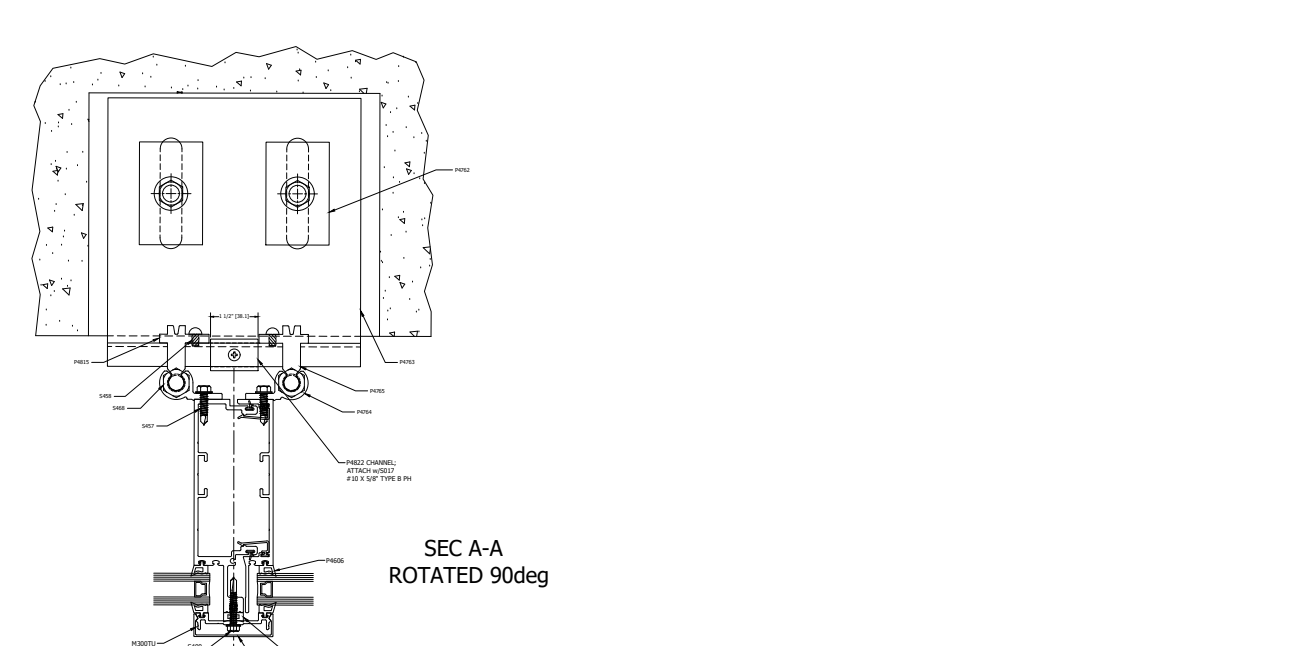
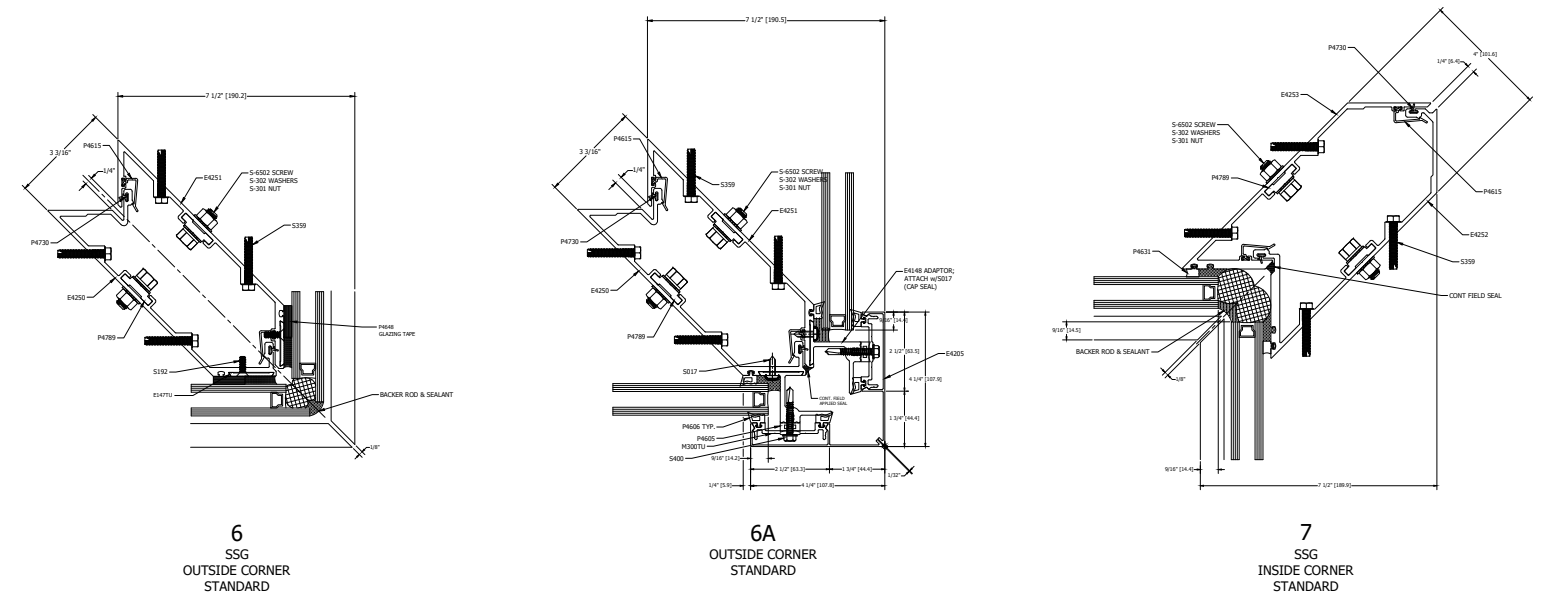
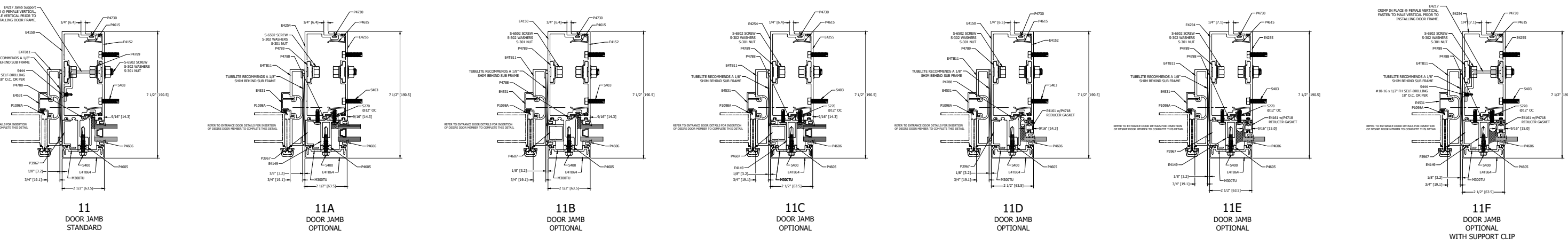


OPTIONS FOR NON-TYPICAL INFILL



OPTIONS FOR 1/4" INFILL

GLAZING INFILL OPTIONS
GLASS SHOWN DOES NOT NECESSARILY REPRESENT FINAL CONFIGURATION. CONSULT GLASS MANUFACTURER FOR SPECIFIC GLASS MAKE UP.



Last Revised: 4/23/2024