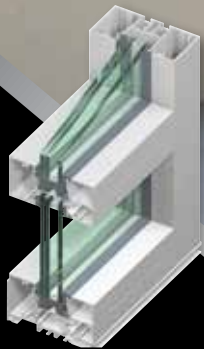




Medium Stile Entrance

Tubelite ForceFront Medium Stile impact resistant entrance doors are rated for windzone 2 – large & small missile impact [ASTM E1886-05/1996-09] and passed the forced entry test [AAMA 1304-02]. These 4" Medium Stile doors are glazed with 1-1/16" thick laminated insulated glass and are wet glazed on the interior side. Transom glass in all door frames are wet glazed. Door frames are non-thermal, and are available with options for heavy-wall extrusions and steel reinforcing where required. Thresholds are equipped with bulb weatherseal gaskets and are ADA accessible. Hinging hardware options include heavy duty mortised butts and continuous gear hinges. Locking types can be concealed vertical rod panics or deadlocks.



**ForceFront Storm
T34000 Storefront**



**ForceFront Storm
Curtainwall**

**ALSO
USED
WITH**

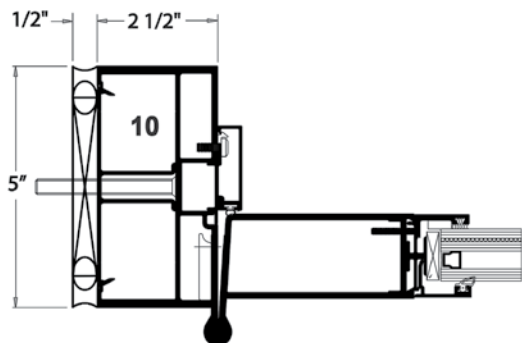


TUBELITE[®]
DEPENDABLE

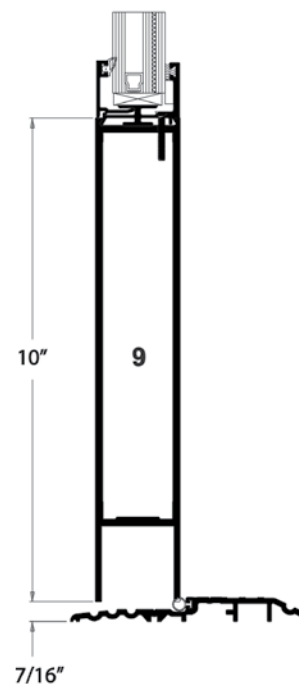
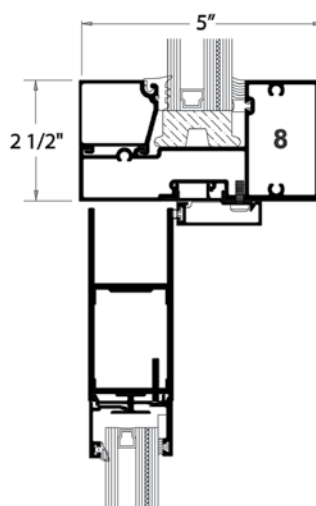
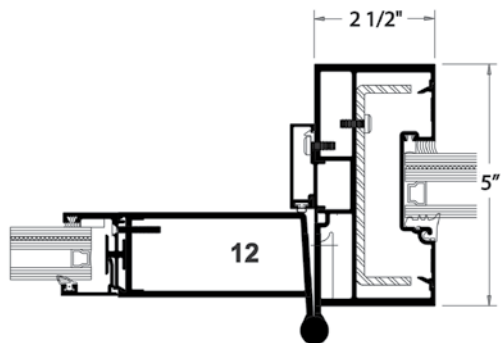
LEADERS IN ECO-EFFICIENT STOREFRONT,
CURTAINWALL AND ENTRANCE SYSTEMS



Tubelite ForceFront-Storm Medium Stile Entrance



Door glass is 1-1/16" thickness.
Storefront glass is 1-5/16" thickness.
Wet glazing shown.



ForceFront Storm Medium Stile Doors Testing

- Designed for compliance with HVHZ Windzone 2, – Large Missile Impact, [ASTM E1886-05/E1996-09 TAS 201]
- 50 PSF +/- cyclic loading for 3'0" x 7'0" single doors thru 6'0" x 7'0" pairs
- Forced Entry Test [AAMA 1304-02]
- Large Missile Impact Test – [ASTM E1886-05/1996-09 TAS 201]

ForceFront Storm E34000 Forcefront Impact Resistant Doors also available

ForceFront Storm Medium Stile Doors Product Specifications

Application:	Stile Width:	Frame Depth or Max Size:	Test Pressure:	Outside HVHZ – Approved:	Impact Approval:	Inside HVHZ – Approved:	Glass Types Tested:
Single up to 3'0" x 7'0" Pairs up to 6'0" x 7'0"	4"	Single Leaf: 35-13/16" x 83-5/16"	+/-50	Yes FL16891	Yes FL17191 [Forced Entry]	No	GL-1) 9/16" insulated laminated with [2] 0.045" DuPont Butacite PVB

DISCLAIMER: Tubelite takes no responsibility for product selection or application, including, but not limited to, compliance with building codes, safety codes, laws, merchantability or fitness for a particular purpose; and further disclaims all liability for the use, in whole or in part, of this Technical Guide in preparation of project specifications and/or other documents. Technical Guides are subject to change at any time, without notice, and at Tubelite's sole discretion. ©2015 Tubelite Inc.

031418

TUBELITE[®]
DEPENDABLE

LEADERS IN ECO-EFFICIENT STOREFRONT,
CURTAINWALL AND ENTRANCE SYSTEMS