



AAMA 507-07 THERMAL PERFORMANCE REPORT

Rendered to:

TUBELITE, INC.

SERIES/MODEL: Monumental Medium Stile Pair Door

TYPE: Swinging Door - Double

Report No: B3772.08-116-45
Report Date: 10/27/11

AAMA 507-07 THERMAL PERFORMANCE REPORT

Rendered to:

TUBELITE, INC.
4878 Mackinaw Trail
Reed City, Michigan 49677

Report No: B3772.08-116-45
Report Date: 10/27/11
Simulation Date: 10/27/11

Project Summary:

Architectural Testing, Inc. was contracted by Tubelite, Inc. to provide U-Factor and Solar Heat Gain Coefficient thermal performance ratings on the Monumental Medium Stile Pair Door Swinging Door - Double. The thermal performance ratings were determined in accordance with AAMA 507-07, Standard Practice for Determining the Thermal Performance Characteristics of Fenestration Systems Installed in Commercial Building.

Reference Documents:

AAMA 507-07, Standard Practice for Determining the Thermal Performance Characteristics of Fenestration Systems Installed in Commercial Buildings

NFRC 100-2010, Procedure for Determining Fenestration Product U-Factors

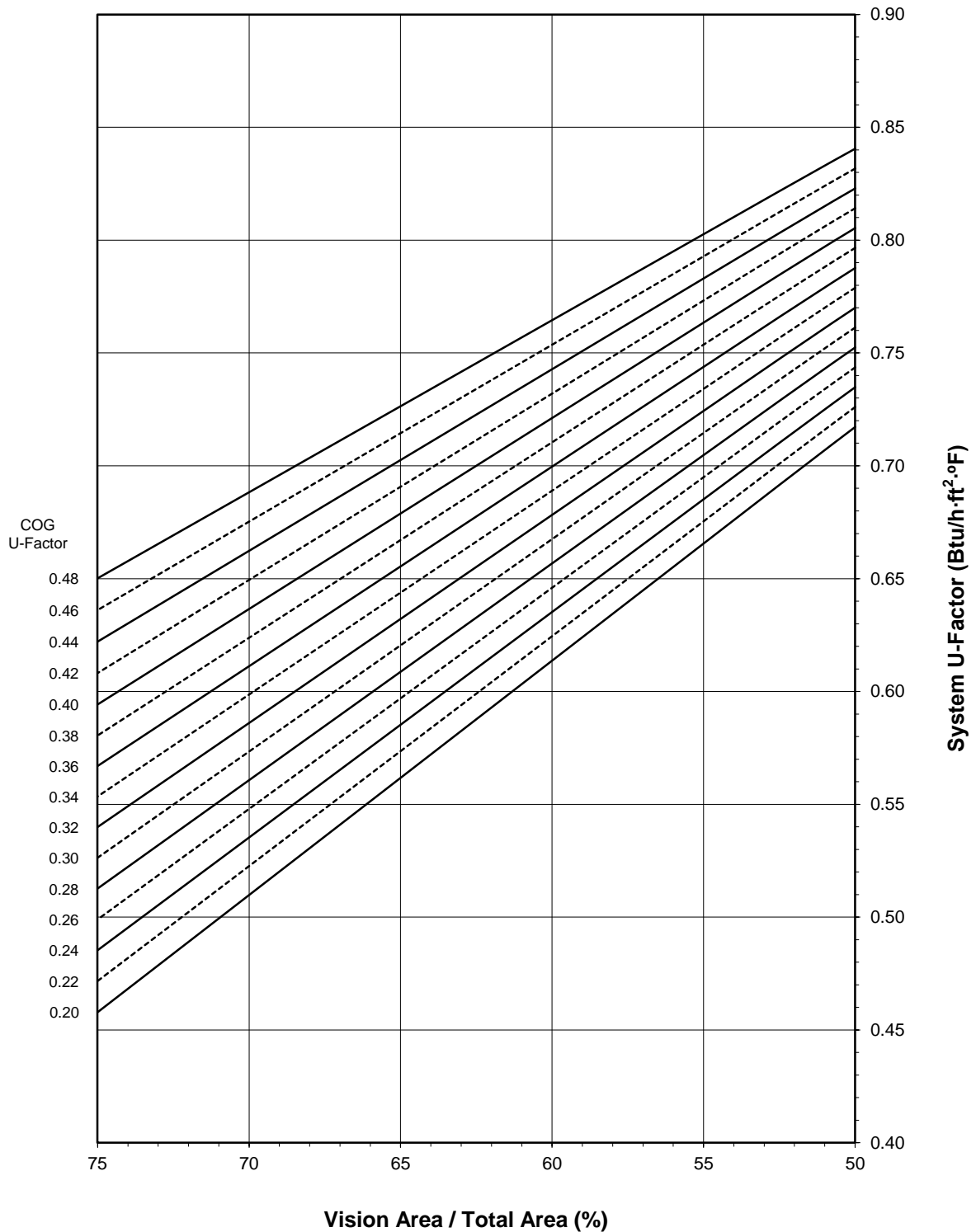
NFRC 200-2010, Procedure for Determining Fenestration Product Solar Heat Gain Coefficient and Visible Transmittance at Normal Incidence

Simulation Specimen Description:

Series/Model:	Monumental Medium Stile Pair Door
Product Groupings:	Mon. Medium w/o sweep grouped with Mon. Medium w/ sweep.
Type:	Swinging Door - Double
Frame Material:	Aluminum Framing System
Material Finish:	Painted Aluminum
Specimen Size:	1920mm wide by 2090mm high (75-1/2" by 82-3/8")
Configuration:	Two vision lites separated by one intermediate vertical
Drawing Reference:	Tubelite Standard Doors - Monumental Frame Details

Tubelite, Inc.
Monumental Medium Stile Pair Door - Swinging Door - Double

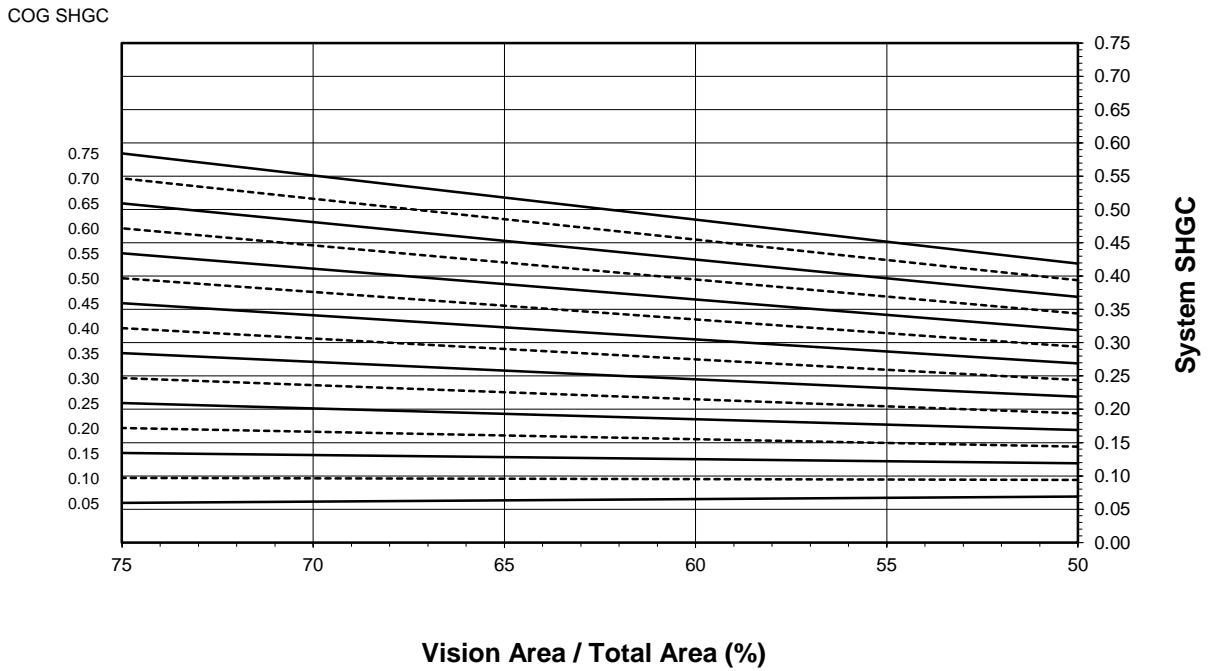
System U-Factor vs. Percentage of Vision Area



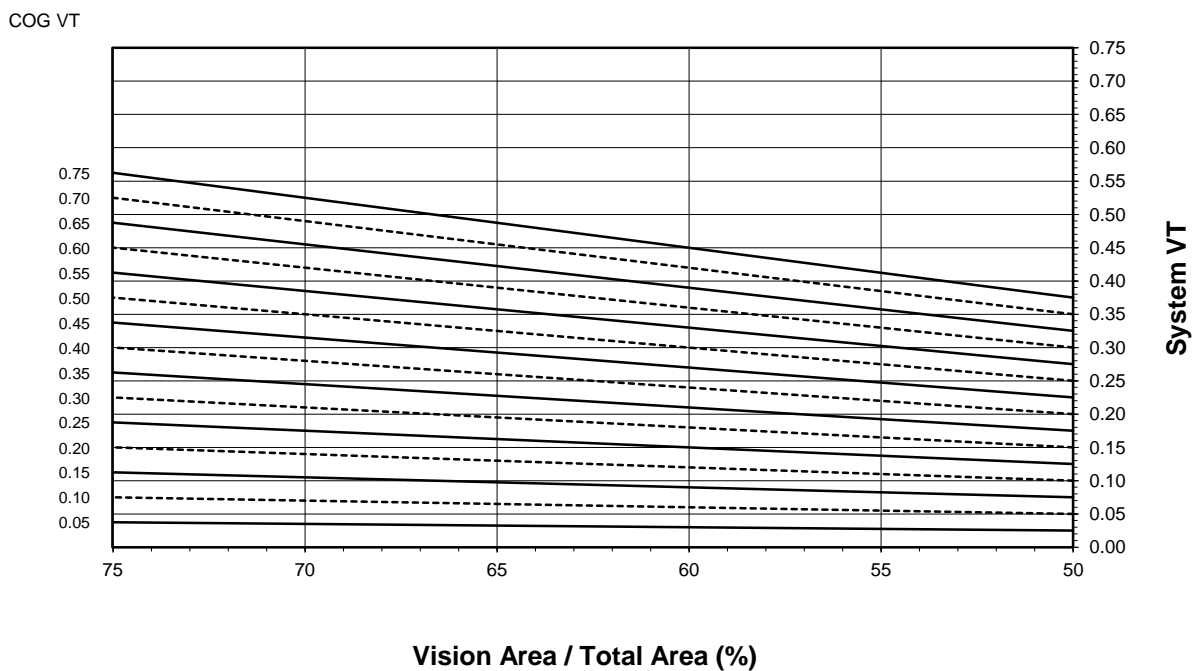
Note: 1 inch Overall - Dual Glazed Glass (0.48-0.20 COG) with Aluminum Spacer

Tubelite, Inc.
Monumental Medium Stile Pair Door - Swinging Door - Double

System SHGC vs. Percentage of Vision Area



System VT vs. Percentage of Vision Area



Tubelite, Inc.
Monumental Medium Stile Pair Door - Swinging Door - Double

Size Specific U-Factor Matrix*

Glazing Option	Center of Glass U-Factor	Overall U-Factor
1	0.48	0.82
2	0.46	0.81
3	0.44	0.80
4	0.42	0.79
5	0.40	0.78
6	0.38	0.78
7	0.36	0.77
8	0.34	0.76
9	0.32	0.75
10	0.30	0.74
11	0.28	0.73
12	0.26	0.72
13	0.24	0.71
14	0.22	0.70
15	0.20	0.69

Note: 1 inch Overall - Dual Glazed Glass (0.48-0.20 COG) with Aluminum Spacer

Size Specific SHGC Matrix*

Center of Glass SHGC	Overall SHGC
0.75	0.44
0.70	0.41
0.65	0.38
0.60	0.36
0.55	0.33
0.50	0.30
0.45	0.28
0.40	0.25
0.35	0.23
0.30	0.20
0.25	0.17
0.20	0.15
0.15	0.12
0.10	0.09
0.05	0.07

Size Specific VT Matrix*

Center of Glass VT	Overall VT
0.75	0.39
0.70	0.37
0.65	0.34
0.60	0.31
0.55	0.29
0.50	0.26
0.45	0.24
0.40	0.21
0.35	0.18
0.30	0.16
0.25	0.13
0.20	0.10
0.15	0.08
0.10	0.05
0.05	0.03

*Size Specific U-Factor, SHGC, and VT Matrices are based on the standard Swinging Door - Double specimen size of 1920mm wide by 2090mm high (75-1/2" by 82-3/8"). This represents 52.5% Vision Area / Total Area.

Vision Area Data

Option No.	COG U-Factor	COG Temperature	Cross Section	Frame Height	Frame U-Factor	Edge U-Factor	Total Product U-Factor		
							50% Vision Area	NFRC 100-2010	75% Vision Area
							71.26" by 77.56"	75.59" by 82.28"	153.97" by 167.61"
1	0.48	43.7	Ext. Head	7.7163	1.2104	0.5757	0.8405	0.8220	0.6502
			Int. Head	7.7163	1.2104	0.5757			
			Ext. Jamb	7.6546	1.2142	0.5778			
			Int. Jamb	7.6546	1.2142	0.5778			
			Mtg. Rail	11.4281	1.1220	0.5820			
			Ext. Sill	7.7790	1.1636	0.5820			
			Int. Sill	7.7790	1.1636	0.5820			
2	0.46	44.8	Ext. Head	7.7163	1.2103	0.5621	0.8317	0.8127	0.6361
			Int. Head	7.7163	1.2103	0.5621			
			Ext. Jamb	7.6546	1.2141	0.5643			
			Int. Jamb	7.6546	1.2141	0.5643			
			Mtg. Rail	11.4281	1.1218	0.5684			
			Ext. Sill	7.7790	1.1635	0.5684			
			Int. Sill	7.7790	1.1635	0.5684			
3	0.44	45.8	Ext. Head	7.7163	1.2103	0.5485	0.8229	0.8035	0.6221
			Int. Head	7.7163	1.2103	0.5485			
			Ext. Jamb	7.6546	1.2141	0.5508			
			Int. Jamb	7.6546	1.2141	0.5508			
			Mtg. Rail	11.4281	1.1216	0.5548			
			Ext. Sill	7.7790	1.1634	0.5548			
			Int. Sill	7.7790	1.1634	0.5548			
4	0.42	46.8	Ext. Head	7.7163	1.2103	0.5351	0.8141	0.7942	0.6082
			Int. Head	7.7163	1.2103	0.5351			
			Ext. Jamb	7.6546	1.2140	0.5375			
			Int. Jamb	7.6546	1.2140	0.5375			
			Mtg. Rail	11.4281	1.1215	0.5413			
			Ext. Sill	7.7790	1.1633	0.5413			
			Int. Sill	7.7790	1.1633	0.5413			
5	0.40	47.9	Ext. Head	7.7163	1.2102	0.5218	0.8054	0.7850	0.5943
			Int. Head	7.7163	1.2102	0.5218			
			Ext. Jamb	7.6546	1.2140	0.5242			
			Int. Jamb	7.6546	1.2140	0.5242			
			Mtg. Rail	11.4281	1.1213	0.5279			
			Ext. Sill	7.7790	1.1632	0.5279			
			Int. Sill	7.7790	1.1632	0.5279			
6	0.38	48.9	Ext. Head	7.7163	1.2102	0.5086	0.7966	0.7757	0.5805
			Int. Head	7.7163	1.2102	0.5086			
			Ext. Jamb	7.6546	1.2140	0.5110			
			Int. Jamb	7.6546	1.2140	0.5110			
			Mtg. Rail	11.4281	1.1211	0.5147			
			Ext. Sill	7.7790	1.1630	0.5146			
			Int. Sill	7.7790	1.1630	0.5146			

Vision Area Data

Option No.	COG U-Factor	COG Temperature	Cross Section	Frame Height	Frame U-Factor	Edge U-Factor	Total Product U-Factor		
							50% Vision Area	NFRC 100-2010	75% Vision Area
							71.26" by 77.56"	75.59" by 82.28"	153.97" by 167.61"
7	0.36	50.0	Ext. Head	7.7163	1.2090	0.4952	0.7877	0.7663	0.5670
			Int. Head	7.7163	1.2090	0.4952			
			Ext. Jamb	7.6546	1.2140	0.4978			
			Int. Jamb	7.6546	1.2140	0.4978			
			Mtg. Rail	11.4281	1.1210	0.5014			
			Ext. Sill	7.7790	1.1629	0.5013			
			Int. Sill	7.7790	1.1629	0.5013			
8	0.34	51.0	Ext. Head	7.7163	1.2090	0.4822	0.7789	0.7571	0.5535
			Int. Head	7.7163	1.2090	0.4822			
			Ext. Jamb	7.6546	1.2140	0.4849			
			Int. Jamb	7.6546	1.2140	0.4849			
			Mtg. Rail	11.4281	1.1208	0.4884			
			Ext. Sill	7.7790	1.1628	0.4883			
			Int. Sill	7.7790	1.1628	0.4883			
9	0.32	52.0	Ext. Head	7.7163	1.2090	0.4690	0.7701	0.7478	0.5400
			Int. Head	7.7163	1.2090	0.4690			
			Ext. Jamb	7.6546	1.2139	0.4718			
			Int. Jamb	7.6546	1.2139	0.4718			
			Mtg. Rail	11.4281	1.1207	0.4752			
			Ext. Sill	7.7790	1.1627	0.4750			
			Int. Sill	7.7790	1.1627	0.4750			
10	0.30	53.1	Ext. Head	7.7163	1.2090	0.4561	0.7613	0.7385	0.5264
			Int. Head	7.7163	1.2090	0.4561			
			Ext. Jamb	7.6546	1.2139	0.4589			
			Int. Jamb	7.6546	1.2139	0.4589			
			Mtg. Rail	11.4281	1.1205	0.4622			
			Ext. Sill	7.7790	1.1626	0.4620			
			Int. Sill	7.7790	1.1626	0.4620			
11	0.28	54.2	Ext. Head	7.7163	1.2089	0.4431	0.7525	0.7292	0.5127
			Int. Head	7.7163	1.2089	0.4431			
			Ext. Jamb	7.6546	1.2139	0.4459			
			Int. Jamb	7.6546	1.2139	0.4459			
			Mtg. Rail	11.4281	1.1204	0.4491			
			Ext. Sill	7.7790	1.1625	0.4489			
			Int. Sill	7.7790	1.1625	0.4489			
12	0.26	55.2	Ext. Head	7.7163	1.2089	0.4302	0.7436	0.7198	0.4990
			Int. Head	7.7163	1.2089	0.4302			
			Ext. Jamb	7.6546	1.2139	0.4331			
			Int. Jamb	7.6546	1.2139	0.4331			
			Mtg. Rail	11.4281	1.1202	0.4362			
			Ext. Sill	7.7790	1.1624	0.4360			
			Int. Sill	7.7790	1.1624	0.4360			

Vision Area Data

Option No.	COG U-Factor	COG Temperature	Cross Section	Frame Height	Frame U-Factor	Edge U-Factor	Total Product U-Factor		
							50% Vision Area	NFRC 100-2010	75% Vision Area
							71.26" by 77.56"	75.59" by 82.28"	153.97" by 167.61"
13	0.24	56.3	Ext. Head	7.7163	1.2089	0.4173	0.7348	0.7106	0.4854
			Int. Head	7.7163	1.2089	0.4173			
			Ext. Jamb	7.6546	1.2139	0.4202			
			Int. Jamb	7.6546	1.2139	0.4202			
			Mtg. Rail	11.4281	1.1201	0.4233			
			Ext. Sill	7.7790	1.1623	0.4231			
			Int. Sill	7.7790	1.1623	0.4231			
14	0.22	57.3	Ext. Head	7.7163	1.2089	0.4046	0.7261	0.7013	0.4717
			Int. Head	7.7163	1.2089	0.4046			
			Ext. Jamb	7.6546	1.2139	0.4075			
			Int. Jamb	7.6546	1.2139	0.4075			
			Mtg. Rail	11.4281	1.1200	0.4105			
			Ext. Sill	7.7790	1.1622	0.4103			
			Int. Sill	7.7790	1.1622	0.4103			
15	0.20	58.4	Ext. Head	7.7163	1.2089	0.3917	0.7172	0.6920	0.4579
			Int. Head	7.7163	1.2089	0.3917			
			Ext. Jamb	7.6546	1.2139	0.3947			
			Int. Jamb	7.6546	1.2139	0.3947			
			Mtg. Rail	11.4281	1.1199	0.3976			
			Ext. Sill	7.7790	1.1622	0.3973			
			Int. Sill	7.7790	1.1622	0.3973			

Detailed drawings, datasheets, representative samples of test specimens, a copy of this report, or other pertinent project documentation will be retained by Architectural Testing, Inc. for a period of four years from the original test date. At the end of this retention period such materials shall be discarded without notice and the service life of this report by Architectural Testing will expire. Results obtained are simulated values and were secured by using the designated test methods. This report does not constitute certification of this product nor an opinion or endorsement by this laboratory. It is the exclusive property of the client named herein and relates only to the specimen(s) simulated. This report may not be reproduced, except in full, without the written approval of Architectural Testing, Inc.

For ARCHITECTURAL TESTING, INC.:

SIMULATED BY:

REVIEWED BY:

Eric Barilar
Simulation Technician

Kevin S. Louder
Project Engineer

EAB:EAB
B3772.08-116-45

Attachments (pages): This report is complete only when all attachments listed are included.

Appendix A: Drawings and Bills of Material (23)

Revision Log

<u>Rev. #</u>	<u>Date</u>	<u>Page(s)</u>	<u>Revision(s)</u>
.01R0	10/27/2011	All	Original Report Issue

All drawings and Bills of Material used in simulating this product are enclosed in this Appendix.

MONUMENTAL PAIRS BOM

ATI
Report # <u>B3772-116-45</u>
Date <u>10/20/2011</u>
Simulator <u><i>Eric Barilac</i></u>

FRAME:

Description	Part number	Material
Monumental Jamb 2" x 4 1/2"	E14121	
Header 2" x 4 1/2"	E14124	
Header Frame Clip	P1152	AL
Screws for frame clip	S009	
screws for header to clip	S070	
Door stops	E2942	
Weather pile	P1098A	Vinyl

DOOR:

Description	Narrow P/N	Medium P/N	Wide P/N	Material
Beveled Door Stiles	E1047 - 3"	E1397- 4 1/2"	E2937 - 6"	
Inactive Stile	E1048 - 3"	E3027 - 4 1/2"	E2938 - 6"	
Astragal Stile	E1153 - 3"	E1154 - 4 1/2"	E1155 - 6"	
Adjustable Astragal	E1152	E1152	E1152	
Stainless Steel Clip for Adj. Astragal	P1539	P1539	P1539	Stainless Steel
Adj. Astragal Pile	P938	P938	P938	Vinyl
Door Top Rail	E1050 - 3 1/2"	E3029 - 4/ 1/2"	E1051 - 6"	
Top Rail Lug		P1649	P908	AL
Door Botom Rail	E1051- 6"	E1051- 6"	E2954 - 10"	
Bottom Rail Lug	P908	P908	P1648	AL
Top Rail & Bottom Rail Tie Rods	P020	P020	P020	Steel
Washer for Tie Rods	P853	P853	P853	AL
Hex nuts for Tie rods	S071A	S071A	S071A	Steel
Exterior Glass Stop 1" glass	E0927	E0927	E0927	
Interior Glass Stop 1" glass	E0928	E0928	E0928	
Gasket	P0017	P0017	P0017	EPDM
Adjutable Wedge Setting Blck	2	P1911	P1911	P1911 Polypropylene

Self Adhesive Setting Blck
Threshold
Threshold clip

~~3
E0019
2~~

P1912
E0019
P679

~~P1912
E0019
P679~~

P1912 EPDM
P679 AL

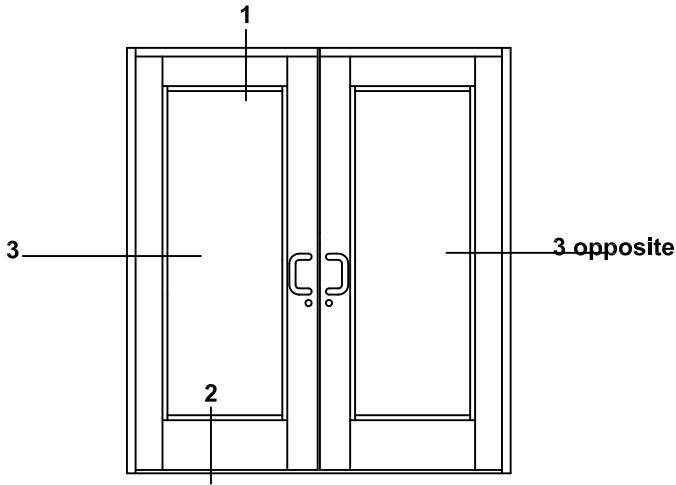
MATERIAL:

E - All E part numbers are AL extrusions

	ATI
Report #	<u>B3772-116-45</u>
Date	<u>10/20/2011</u>
Simulator	<u><i>Eric Barilac</i></u>

Monumental Doors - Pairs

Elevations & 1/4 Size Details

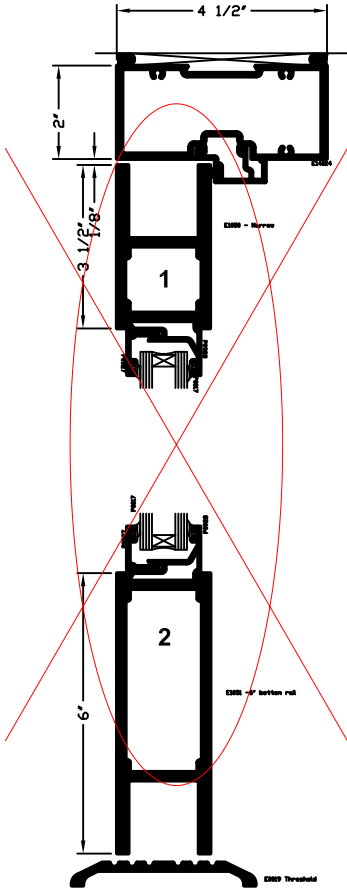
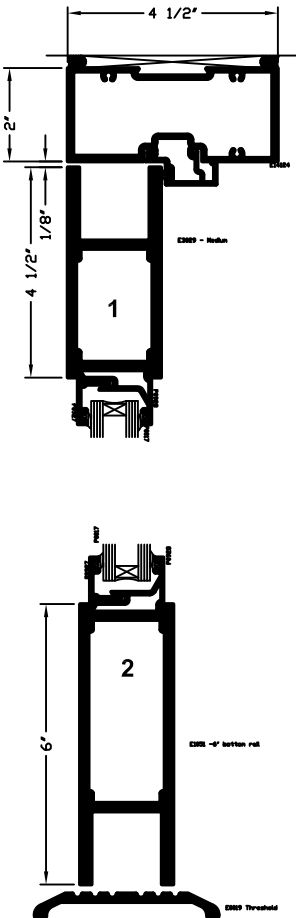
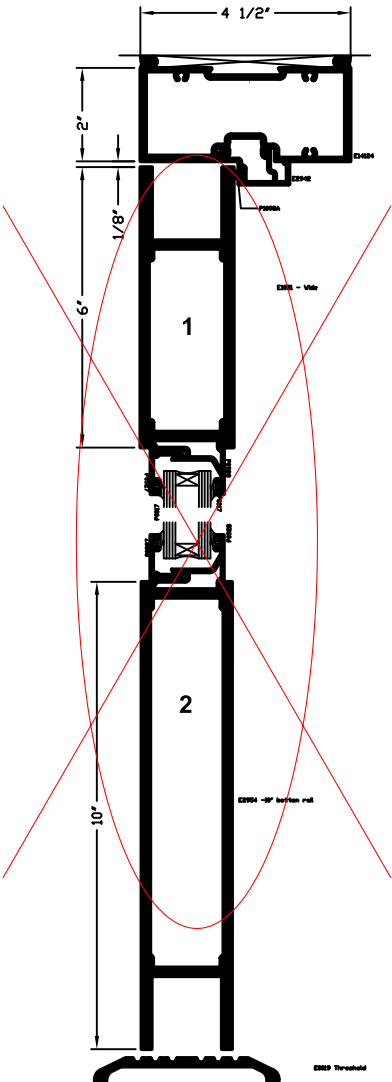


ATI	
Report #	<u>B3772-116-45</u>
Date	<u>10/20/2011</u>
Simulator	<u><i>Eric Boriluk</i></u>

Wide

Medium

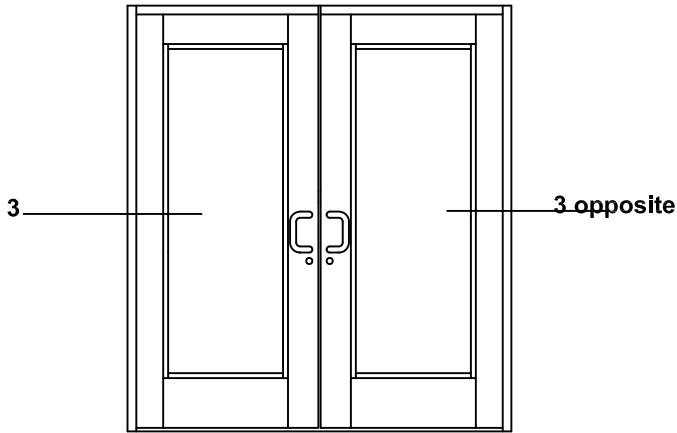
Narrow



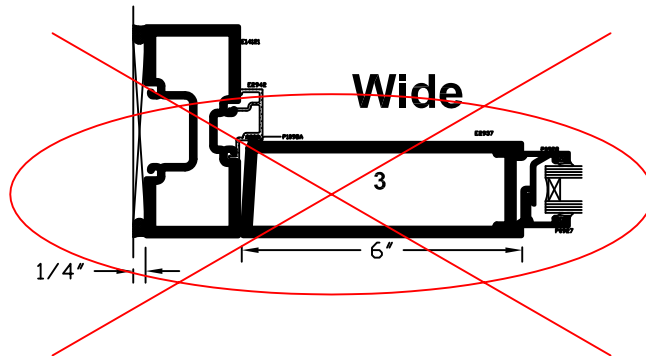
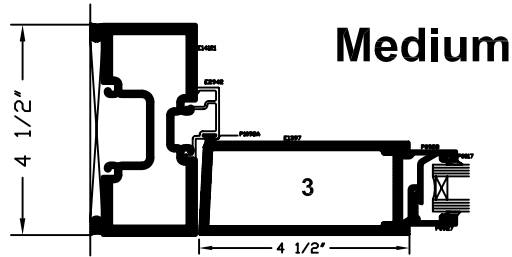
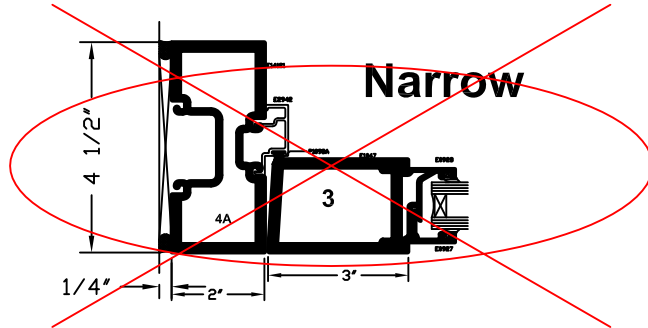
*SEALANT, ROD, & ANCHORS NOT BY TUBELITE

Monumental Doors - Single Jamb detail

Elevations & 1/4 Size Details

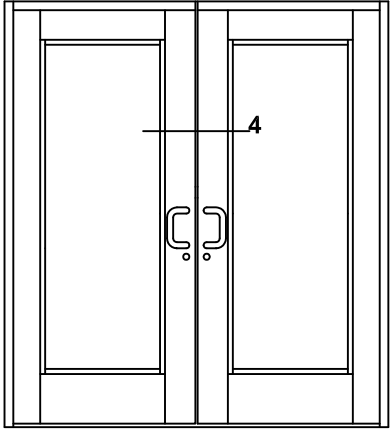


	ATI
Report #	B3772-116-45
Date	10/20/2011
Simulator	<i>Eric Bakula</i>

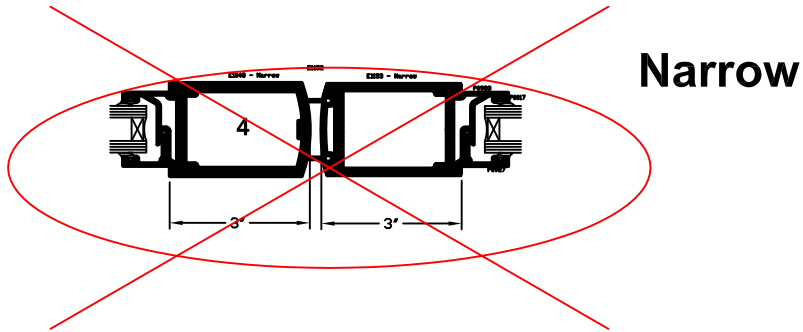
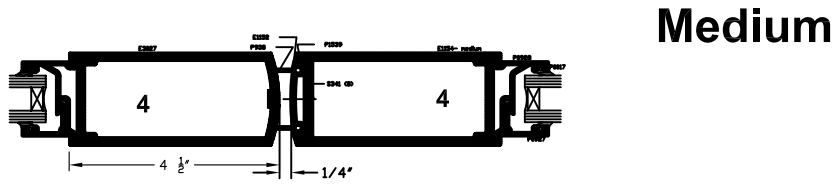
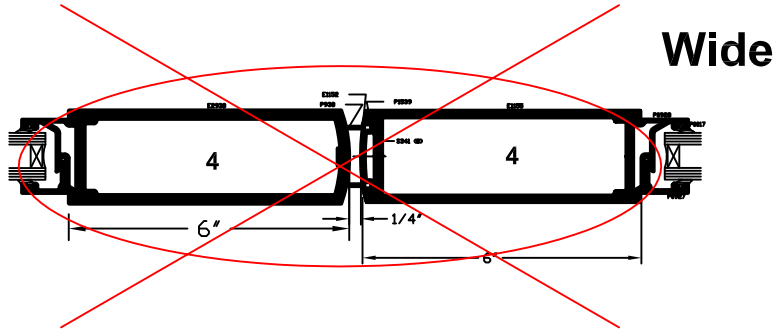


*SEALANT, ROD, & ANCHORS NOT BY TUBELITE

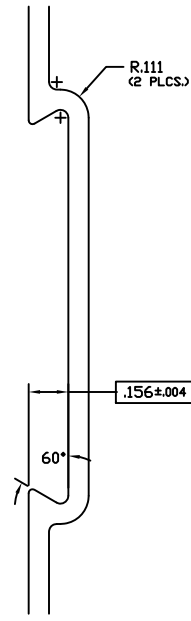
Monumental Doors - Double Elevations & 1/4 Size Details



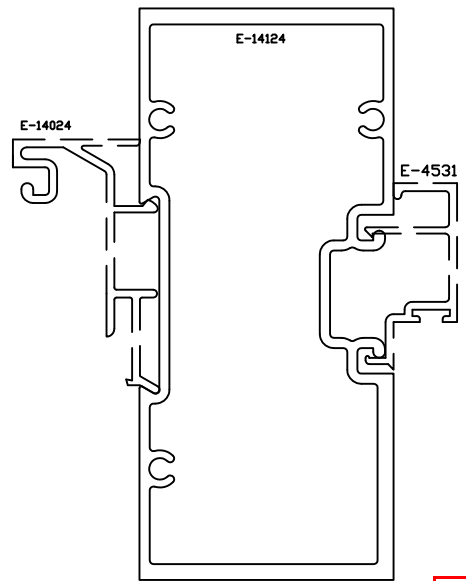
	ATI
Report #	<u>B3772-116-45</u>
Date	<u>10/20/2011</u>
Simulator	<u><i>Eric Barilla</i></u>



*SEALANT, ROD, & ANCHORS NOT BY TUBELITE

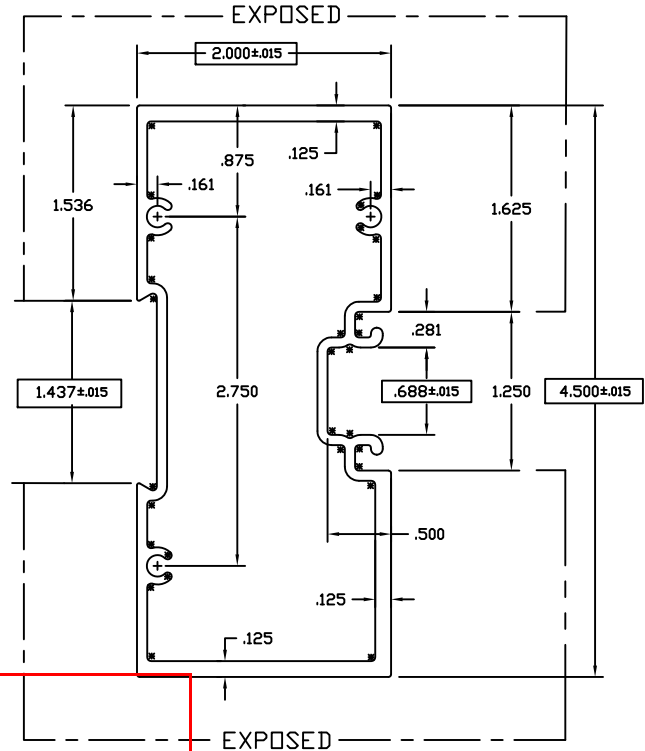


TWO TIMES SIZE

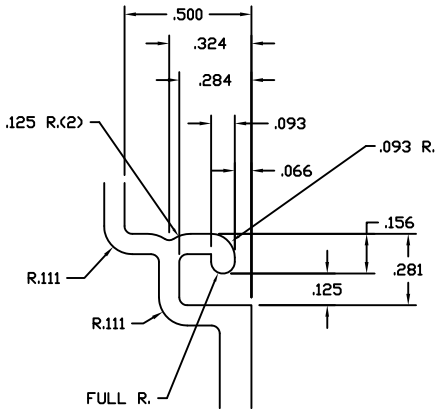


ASSEMBLY

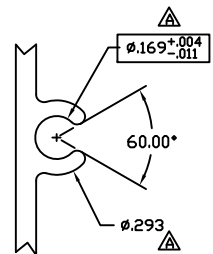
MATES W/ E-4532, E-4026 & E-14024



EXPOSED
ACTUAL SIZE



TWO TIMES SIZE



TWO TIMES SIZE

ATI

Report # B3772-116-45

Date 10/20/2011

Simulator Eric Barthe

©2006 TUBELITE INC. ALL RIGHTS RESERVED
ALUMINUM ASSOCIATION STANDARD
TOLERANCES APPLY UNLESS NOTED

TUBELITE
SUPERIOR ALUMINUM
LEADING IN ECO-FRIENDLY OPERATING
CURTAINWALL AND ENTRANCE SYSTEMS

3056 WALKER RIDGE NW, SUITE G
WALKER, MICHIGAN 49544

WALL THK. .080	SECTION H	MAT'L 6063-T5	RATIO 38:1
PERIMETER OUT (TOTAL) 15.371(29.969)	AREA 1.464	WGT/FT 1.722	
FACTOR 17	CIRCLE SIZE 4.924	JNFTL VOLUME N/A	
RXX 1.601	SXX 1.640	IXX 3.751	CXX 2.287
RYY .780	SYY .849	IYY .890	CYY 1.049

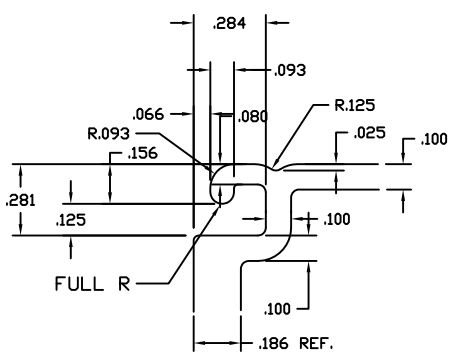
DENOTES CRITICAL DIMENSION
 ALL DIES PROPERTY OF TUBELITE

REV	DATE	DESCRIPTION	INTL
	9-11-93	RELEASE TO TOOLING	KHM
	7-7-93	REVISE EXTR. # WAS E-14023	KHM
	7-28-93	RELEASE TO PRODUCTION	KHM
A	1/17/2011	J69 +.004/-0.011 was .162+/-0.004, .293 WAS .322	CRH

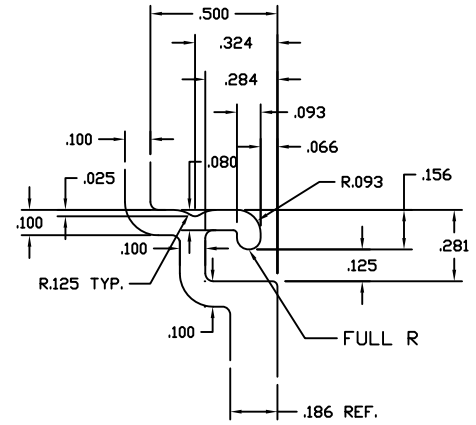
DOOR HEADER 2" X 4 1/2"
E14000 NON THERMAL STOREFRONT

DRAWN BY SMH	DRWG DATE 05/11/93	APPV'D BY	DATE APPV'D
DWG SCALE NOTED	PRODUCT CODE 190	E14124	REV A

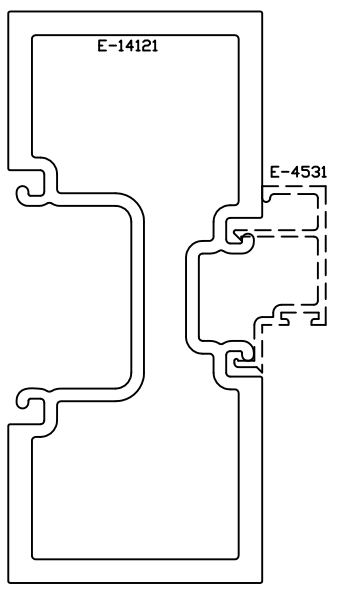
E14121
A



DETAIL "A"
TWO TIMES SCALE

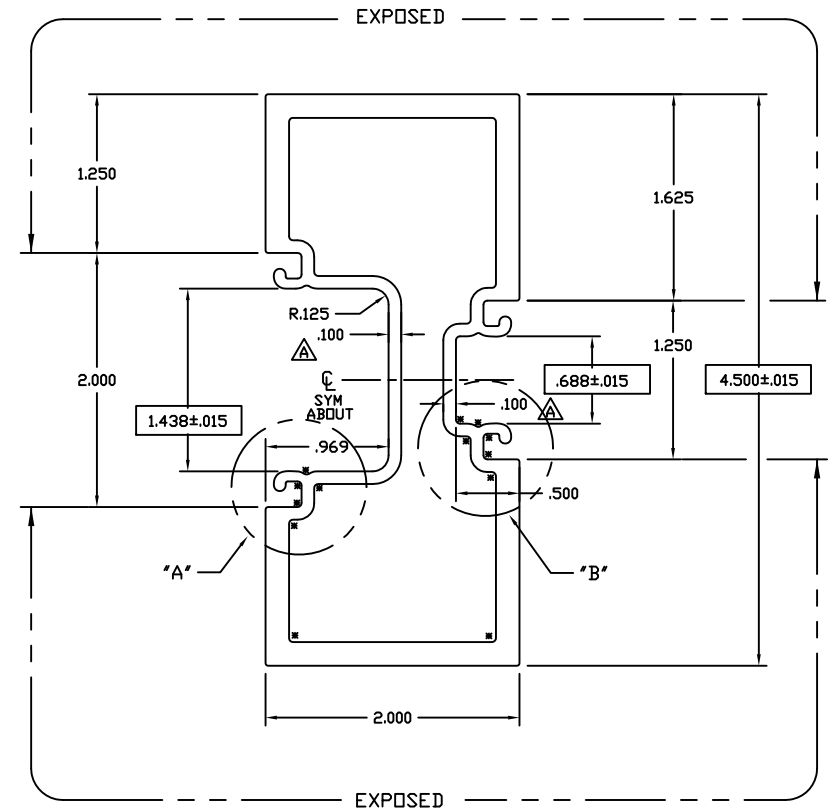


DETAIL "B"
TWO TIMES SCALE



FULL SCALE ASSEMBLY

ALSO MATES W/ E-4013



FULL SCALE

ATI

Report # B3772-116-45

Date 10/20/2011

Simulator Eric Boriska

©2006 TUBELITE INC. ALL RIGHTS RESERVED
ALUMINUM ASSOCIATION STANDARD
TOLERANCES APPLY UNLESS NOTED

TUBELITE
DEPENDABLE
LEADING IN ECO-FRIENDLY OPERATING
CURTAINWALL AND ENTRANCE SYSTEMS

3056 WALKER RIDGE NW, SUITE G
WALKER, MICHIGAN 49544

WALL THK	.186	SECTION CLASS	H	MAT'L	6063-T5	RATIO	24:1
PERIMETER OUT (TOTAL)	17.706(31.122)		AREA	2.307		WGT/FT	2.713
FACTOR	11	CIRCLE SIZE	4.924	INFILL VOLUME	N/A		
RXX	1.577	SXX	2.549	IXX	5.736	CXX	2.250
RYY	.719	SYY	1.124	IYY	1.192	CYY	1.061

DENOTES CRITICAL DIMENSION
ALL DIES PROPERTY OF TUBELITE

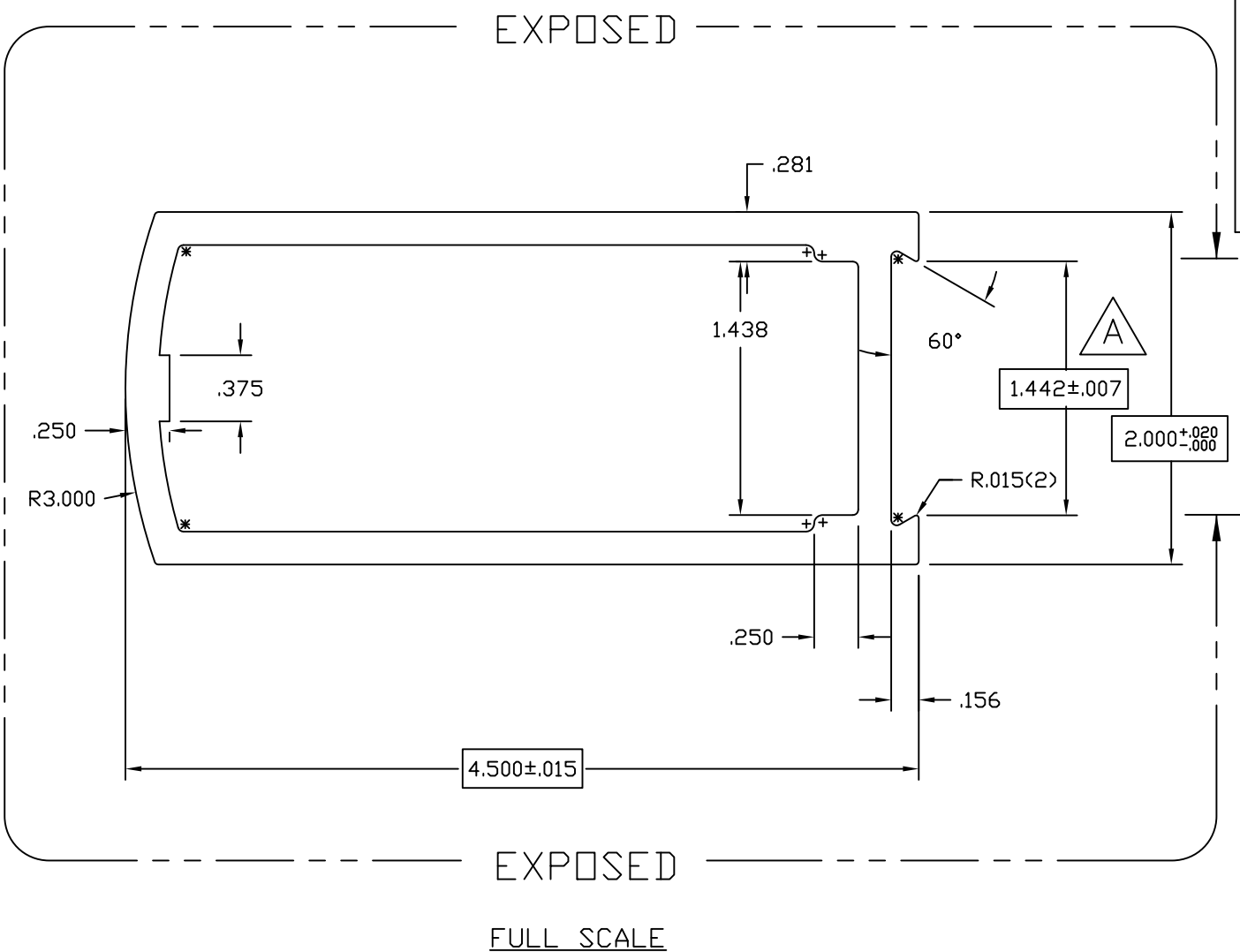
REV	DATE	DESCRIPTION	INTL
EP-2688	8/7/98	RELEASE TO TOOLING	SMF
EP-8647	10/28/98	RELEASE TO PRODUCTION	KRH
A	01/02/03	REVISED POCKET CONFIGURATION AND WALL THICKNESS	CRH

THICK WALL DOOR JAMB 2" X 4 1/2"
E14000 NON THERMAL STOREFRONT

DRAWN BY	SMF	DRWG DATE	08/07/98	APPV'D BY		DATE APPV'D	
DWG SCALE	NOTED	PRODUCT CODE	190		E14121		REV A

E3027

A



ATI

Report # B3772-116-45

Date 10/20/2011

Simulator Eric Borilak

+ INDICATES .047 RAD (4 PLCS)

© 2006 TUBELITE INC. ALL RIGHTS RESERVED
 ALUMINUM ASSOCIATION STANDARD
 TOLERANCES APPLY UNLESS NOTED
 ALL UNSPECIFIED RADII .015
 * INDICATES .031 RADIUS

TUBELITE
 LEADERS IN ECO-EFFICIENT STOREFRONT,
 CURTAINWALL AND ENTRANCE SYSTEMS

3056 WALKER RIDGE NW, SUITE G
 WALKER, MICHIGAN 49544

WALL THK.	.187	SECTION CLASS	H	MAT'L	6063-T5	RATIO	24:1
PERIMETER OUT (TOTAL)	13.110(24.107)	AREA	2.293	WGT/FT	2.696		
FACTOR	9	CIRCLE SIZE	4.760	INFILL VOLUME	N/A		

RXX	.831	SXX	1.508	IXX	1.508	CXX	1.000
RYY	1.527	SYX	2.274	IYY	5.344	CYY	2.351

ROUND MON. VERTICAL STILE 2" X 4 1/2"
 CUSTOM DOORS/FRAMES

DRAWN BY	GWM	DRWG DATE	02/28/94	APPV'D BY		DATE APPV'D	
DWG SCALE	NOTED	PRODUCT CODE	110	E3027		REV	A

REV	DATE	DESCRIPTION	INTL
ED-1867	2/28/94	RELEASE TO TOOLING	GWM
ED-1886	4/8/94	RELEASE TO PRODUCTION	GWM
A	6/14/04	WAS 1.430	CRH

E2942

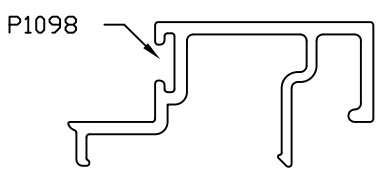
A

ATI

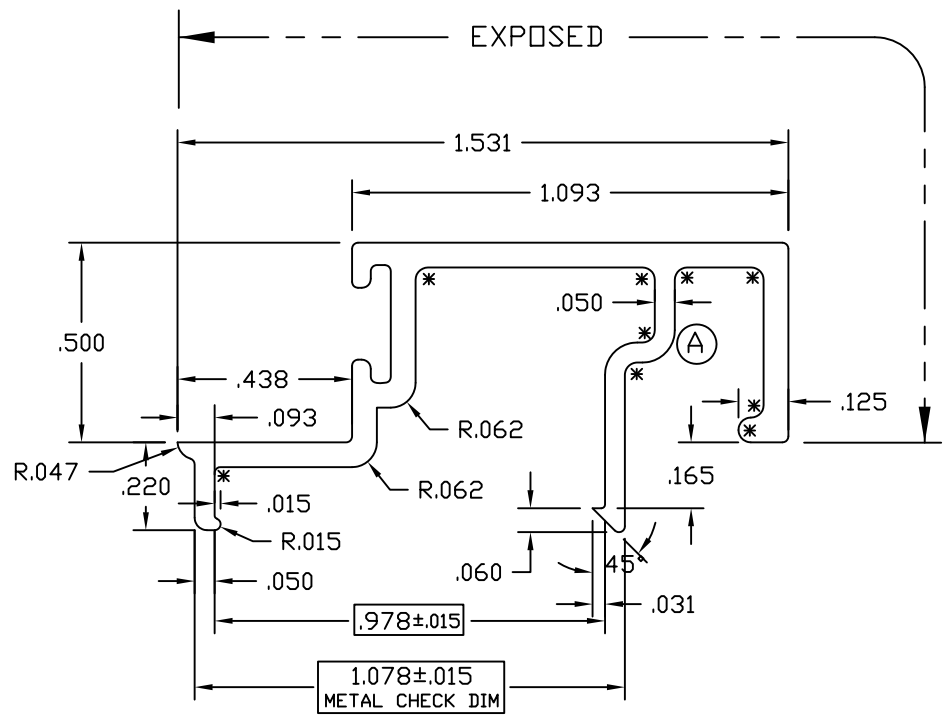
Report # B3772-116-45

Date 10/20/2011

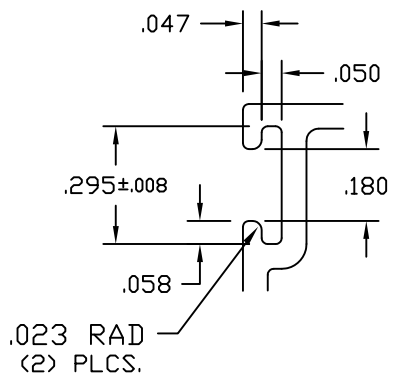
Simulator Eric Barilla



FULL SCALE



TWO TIMES SCALE



TWO TIMES SCALE

© 2006 TUBELITE INC. ALL RIGHTS RESERVED
 ALUMINUM ASSOCIATION STANDARD
 TOLERANCES APPLY UNLESS NOTED
 ALL UNSPECIFIED RADII .015
 * INDICATES .031 RADIUS

TUBELITE
 DEPENDABLE
 LEADERS IN ECO-EFFICIENT STOREFRONT,
 CURTAINWALL AND ENTRANCE SYSTEMS

3056 WALKER RIDGE NW, SUITE G
 WALKER, MICHIGAN 49544

WALL THK. .062	SECTION CLASS S	MAT'L 6063-T5	RATIO 262:1
PERIMETER OUT (TOTAL) 7.135	AREA .210	WGT/FT .247	
FACTOR 29	CIRCLE SIZE 1.654	INFILL VOLUME N/A	

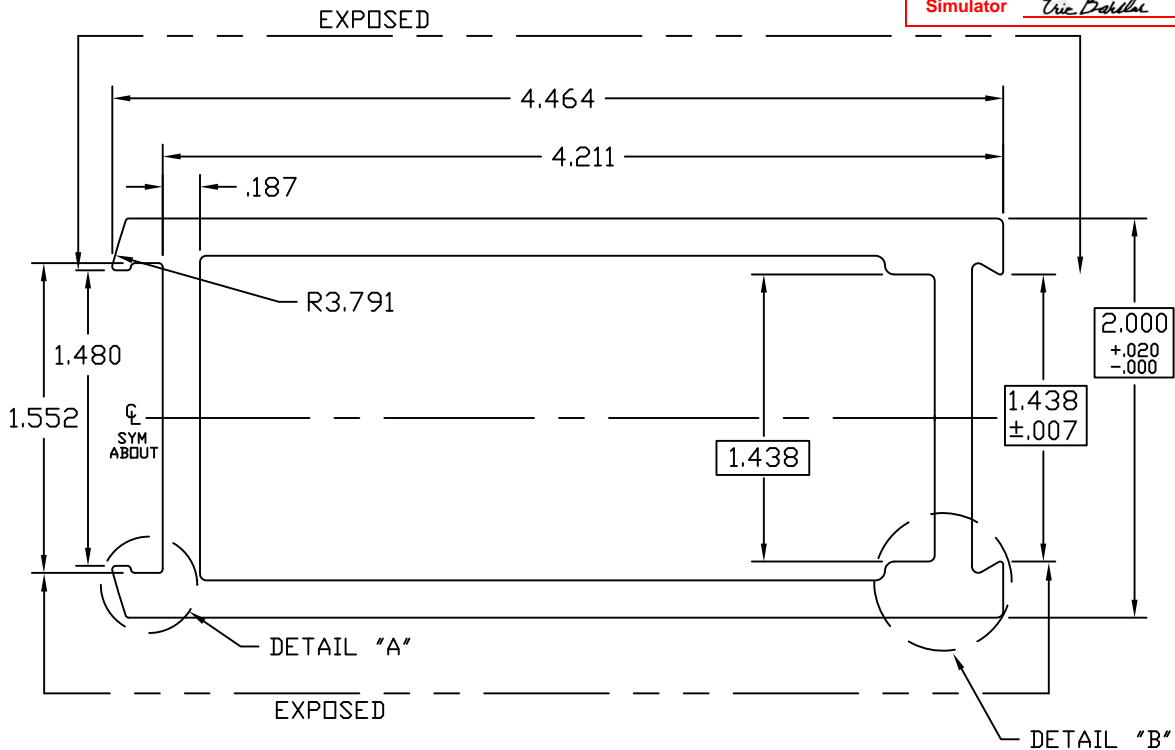
RXX .217	SXX .037	IXX .010	CXX .455
RYY .456	SYX .066	IYY .044	CYY .868

DOOR STOP 1/2" X 1 3/32"
 CUSTOM DOORS/FRAMES

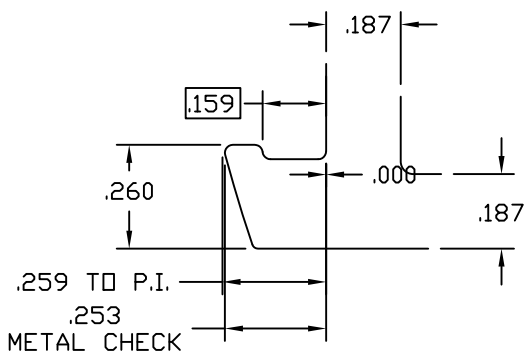
DRAWN BY DM	DRWG DATE 06/10/90	APPV'D BY	DATE APPV'D
DWG SCALE NOTED	PRODUCT CODE 110	E2942	REV A

REV	DATE	DESCRIPTION	INTL
ED-1229	06/04/90	RELEASED TO TOOLING	DSM
ED-1272	10/02/90	RELEASED TO PRODUCTION	DSM
A	10/02/03	REVISED LEG TO AVOID CONFUSION PER ER120302	DMT

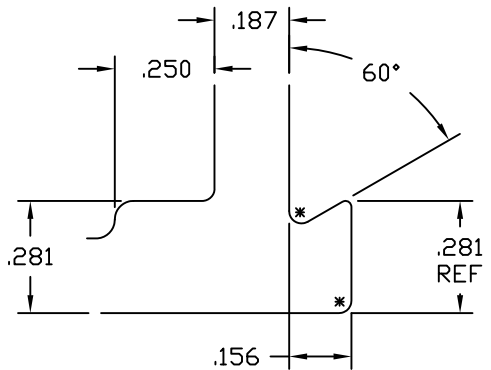
ATI
 Report # B3772-116-45
 Date 10/20/2011
 Simulator Eric Barthe



ACTUAL SIZE



DETAIL "A"
 TWO TIMES SIZE



DETAIL "B"
 TWO TIMES SIZE

☐ DENOTES CRITICAL DIMENSION

© 2006 TUBELITE INC. ALL RIGHTS RESERVED
 ALUMINUM ASSOCIATION STANDARD
 TOLERANCES APPLY UNLESS NOTED
 ALL UNSPECIFIED RADII .015
 * INDICATES .031 RADIUS



3056 WALKER RIDGE NW, SUITE G
 WALKER, MICHIGAN 49544

WALL THK.	NOTED	SECTION CLASS	H	MAT'L	6063-T5	RATIO	24:1
PERIMETER OUT (TOTAL)	13.772	AREA	2.354	WGT/FT	2.768		
FACTOR	5	CIRCLE SIZE	4.812	INFILL VOLUME	N/A		

RXX	.812	SXX	1.552	IXX	1.552	CXX	1.000
RYY	1.503	SYX	2.446	IYY	5.318	CYY	2.290

MON. ADJ. ASTRAGAL STILE 2" X 4 1/2"
 CUSTOM DOORS/FRAMES

☐ DENOTES CRITICAL DIMENSION
 ALL DIES PROPERTY OF TUBELITE

REV	DATE	DESCRIPTION	INTL
	03/31/08	RELEASE FOR TOOLING	JEM
	05/04/09	RELEASE FOR PRODUCTION PER ER-040905	JEM

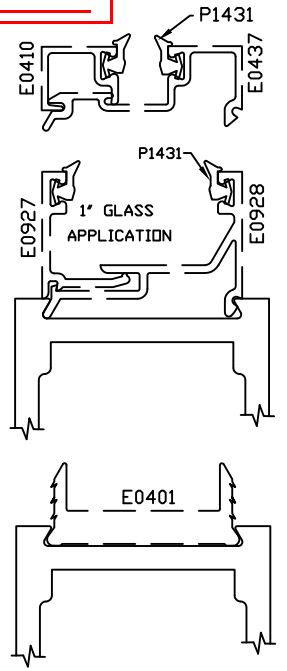
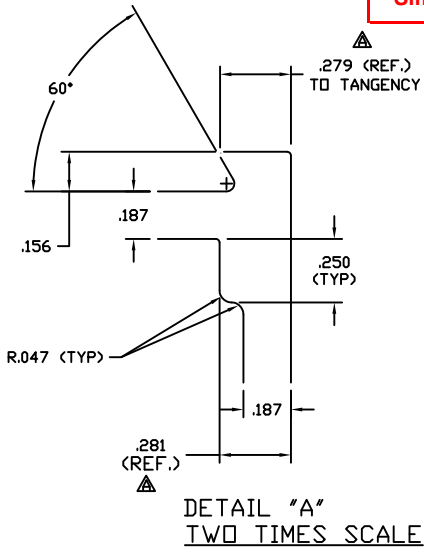
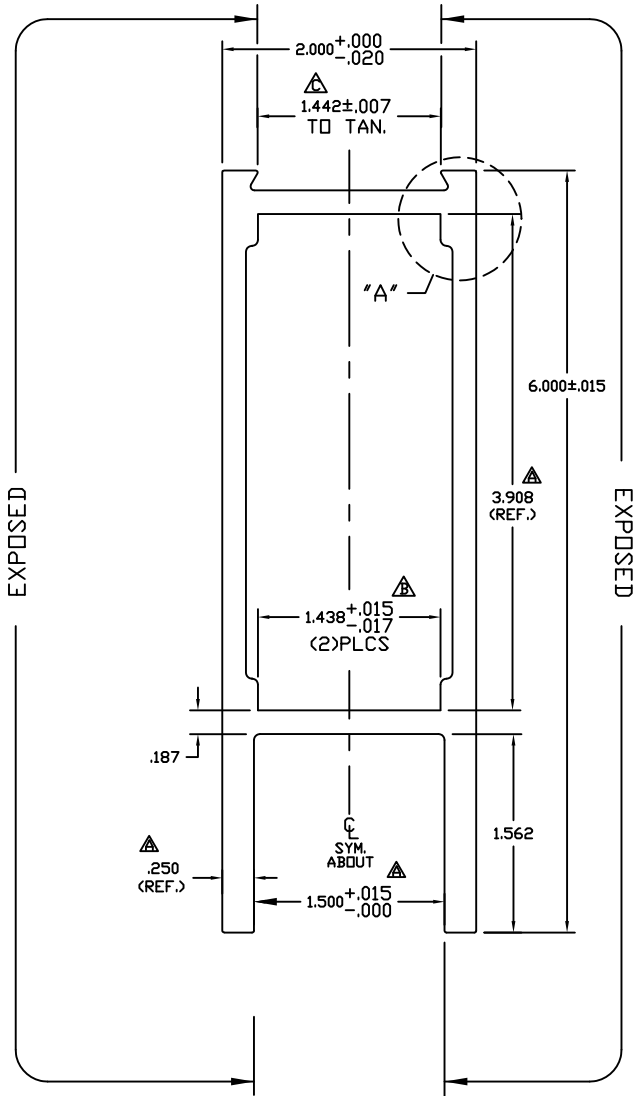
DRAWN BY	JEM	DRWG DATE	10/15/07	APPV'D BY		DATE APPV'D	
DWG SCALE	NOTED	PRODUCT CODE	110	E1154			REV

ATI

Report # B3772-116-45

Date 10/20/2011

Simulator Eric Boriluk



Use with door lugs P908
SNAP FIT W/E0437(1/4"GLASS) AND E0928(1"GLASS)

©2006 TUBELITE INC. ALL RIGHTS RESERVED
ALUMINUM ASSOCIATION STANDARD TOLERANCES APPLY UNLESS NOTED
ALL UNSPECIFIED RADII .015
* INDICATES .031 RADIUS
□ DENOTES CRITICAL DIMENSION
ALL DIES PROPERTY OF TUBELITE

TUBELITE
LEADING IN ECO-FRIENDLY OPERATING CURTAINWALL AND ENTRANCE SYSTEMS

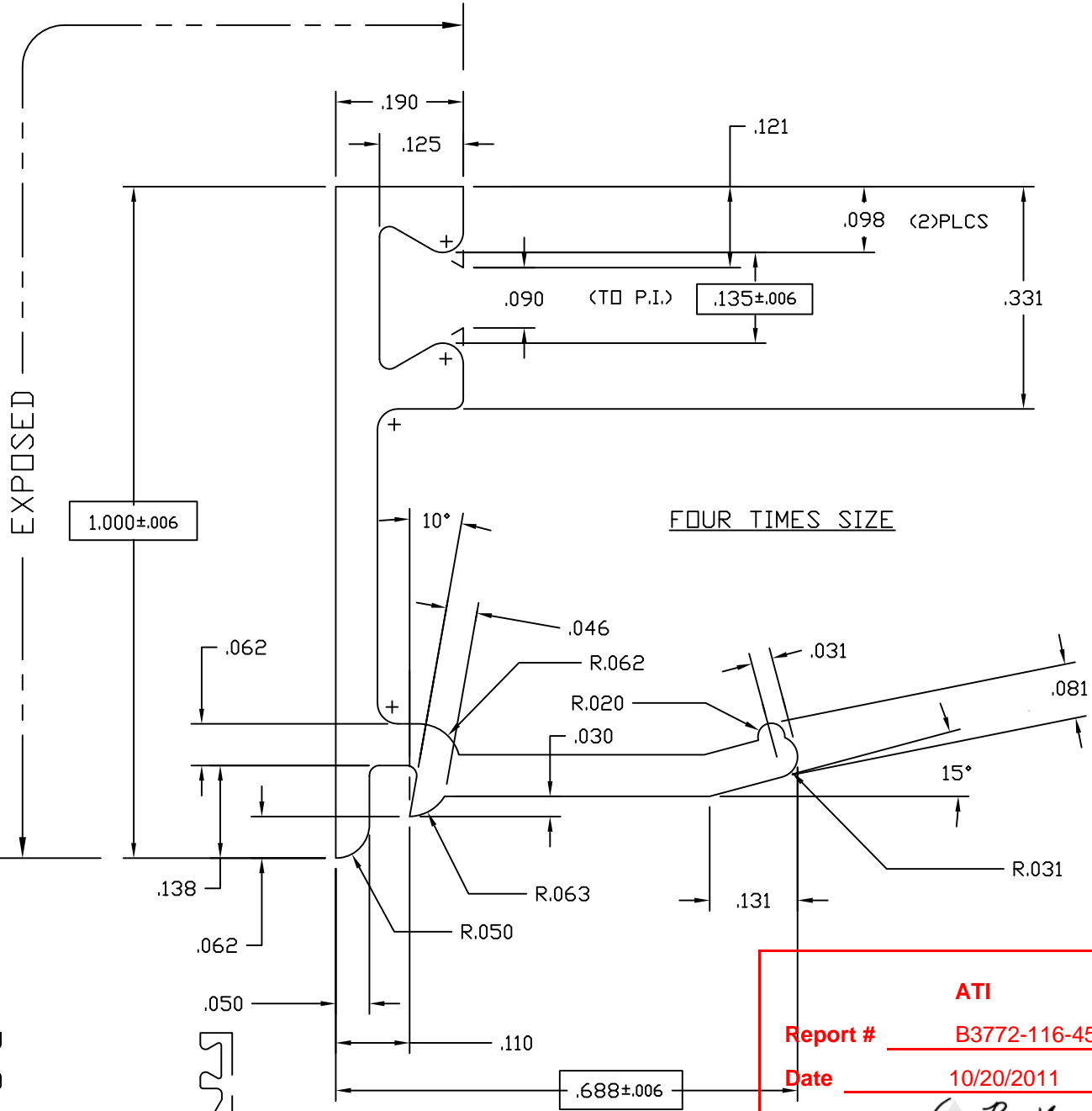
3056 WALKER RIDGE NW, SUITE G
WALKER, MICHIGAN 49544

WALL THK	NOTED	SECTION H	MAT'L	6063-T5	RATIO	17:1	
PERIMETER OUT (TOTAL)	19.538(30.445)	AREA	3.161	WGT/FT	3.717		
FACTOR	8	CIRCLE SIZE	6.325	INTELL VOLUME	N/A		
RXX	.829	SXX	2.172	IXX	2.172	CXX	1.000
RYY	1.874	SYY	3.659	IYY	11.104	CYY	3.035

MONUMENTAL HORIZONTAL RAIL 6" X 2"
CUSTOM DOORS/FAMES

DRAWN BY DLH DRWG DATE 08/06/64 APP'D BY MJC DATE APP'D 02/05/01

DWG SCALE NOTED PRODUCT CODE 110 E1051 REV C



ATI

Report # B3772-116-45

Date 10/20/2011

Simulator Eric Barilko

- NOTES:
- 1) USE WITH 1" INSULATED GLASS OR 1" PANEL
 - 2) USE GLAZING BEAD P-302 BOTH SIDES
 - 3) USE WITH E-0928 OR E-0929

© 2006 TUBELITE INC. ALL RIGHTS RESERVED
 ALUMINUM ASSOCIATION STANDARD TOLERANCES APPLY UNLESS NOTED
 ALL UNSPECIFIED RADII .015
 * INDICATES .031 RADIUS



3056 WALKER RIDGE NW, SUITE G
 WALKER, MICHIGAN 49544

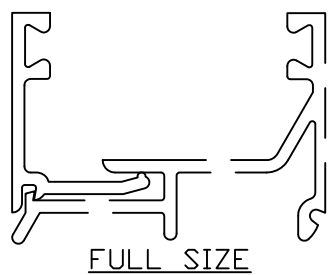
WALL THK.	.062	SECTION CLASS	S	MAT'L	6063-T5	RATIO	74:1
PERIMETER OUT (TOTAL)	4.001	AREA	.124	WGT/FT	.146	INFILL VOLUME	N/A
FACTOR	27	CIRCLE SIZE	1.120				

RXX	.321	SXX	.023	IXX	.013	CXX	.321
RYY	.185	SYY	.008	IYY	.004	CYY	.185

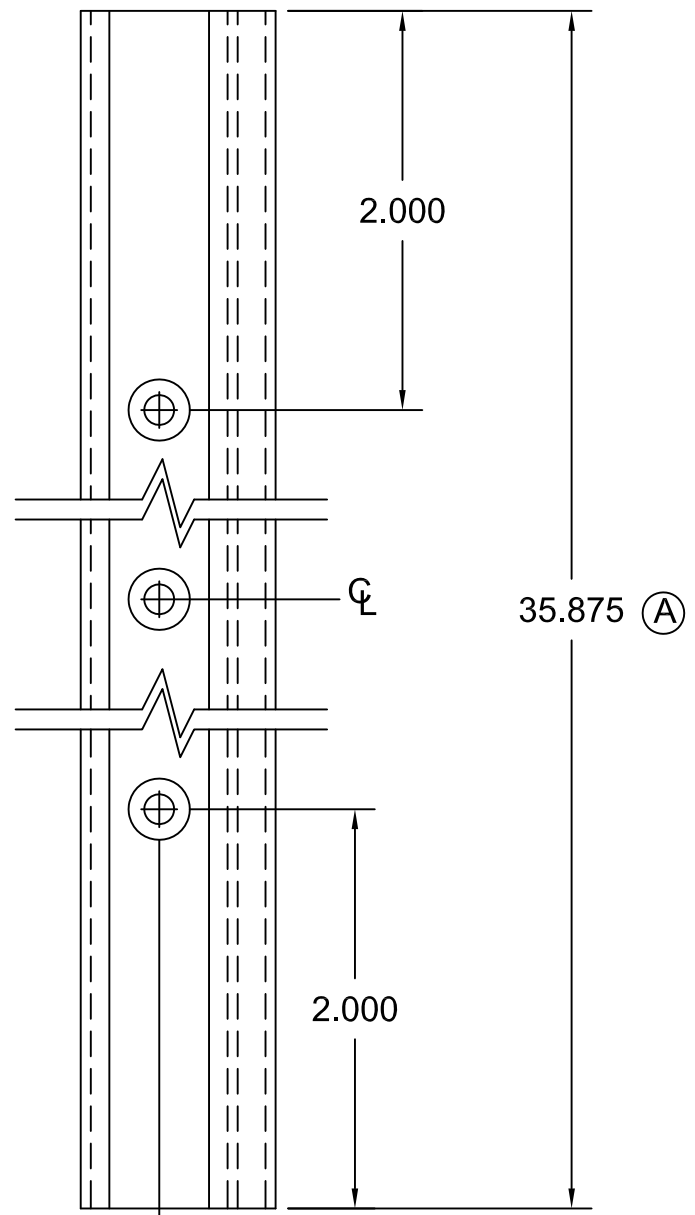
GLASS STOP, 1" HIGH FOR 1" GLASS STOCK DOORS

DRAWN BY	CRH	DRWG DATE	04/21/99	APPV'D BY		DATE APPV'D	
DWG SCALE	NOTED	PRODUCT CODE	100	E0927		REV	

REV	DATE	DESCRIPTION	INTL
X	xx/xx/xx	xxxxxxxxxxxxxx	xxx

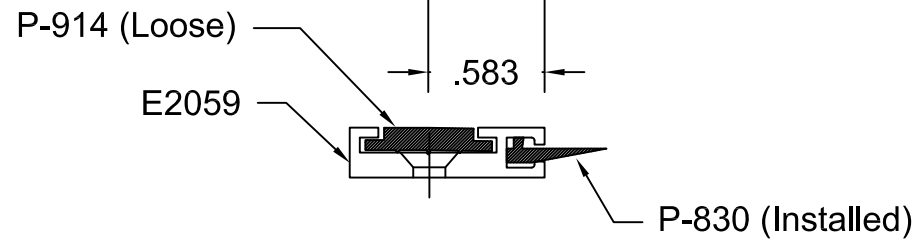


ATI
Report # B3772-116-45
Date 10/20/2011
Simulator *Eric Basilak*



Operations:

1. Cut to length as required from E2059
2. Drill 3 holes with #25 Drl & Ctsk for S-064 (#6 FHCS)
3. Cut P-830 to length, Install, & Crimp ends
4. Cut P-914 to length, and install.
5. Paint ends as required
6. Ship with three (3) S064 Screws.



© 2006 TUBELITE INC. ALL RIGHTS RESERVED
 ALL UNSPECIFIED RADII .015
 * INDICATES .031 RADIUS
 □ DENOTES CRITICAL DIMENSION

TUBELITE®
 DEPENDABLE
 LEADERS IN ECO-EFFICIENT STOREFRONT,
 CURTAINWALL AND ENTRANCE SYSTEMS

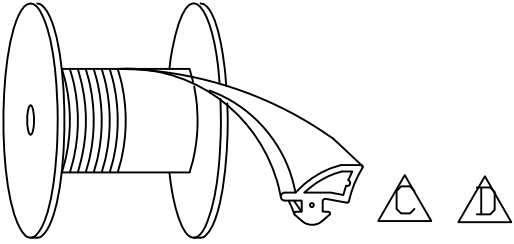
3056 WALKER RIDGE NW, SUITE G
 WALKER, MICHIGAN 49544

REV	DATE	DESCRIPTION	INTL
	7/29/83	Released Part per ED 128	PJ
A	05/17/90	ED #1222 Dim was 34.875	KMH
B	8/24/01	Redrawn for CAD	DMT
C	06/19/03	OUTSOURCE - ADD S064 SCREWS	SRD

Door Seal to use with
 E2058 Threshold

DRAWN BY PJ	DRWG DATE 05/09/83	APPV,D BY	DATE APPV'D
DRWG SCALE Full	PRODUCT CODE 380	P1275	
			REV C

P0017
E



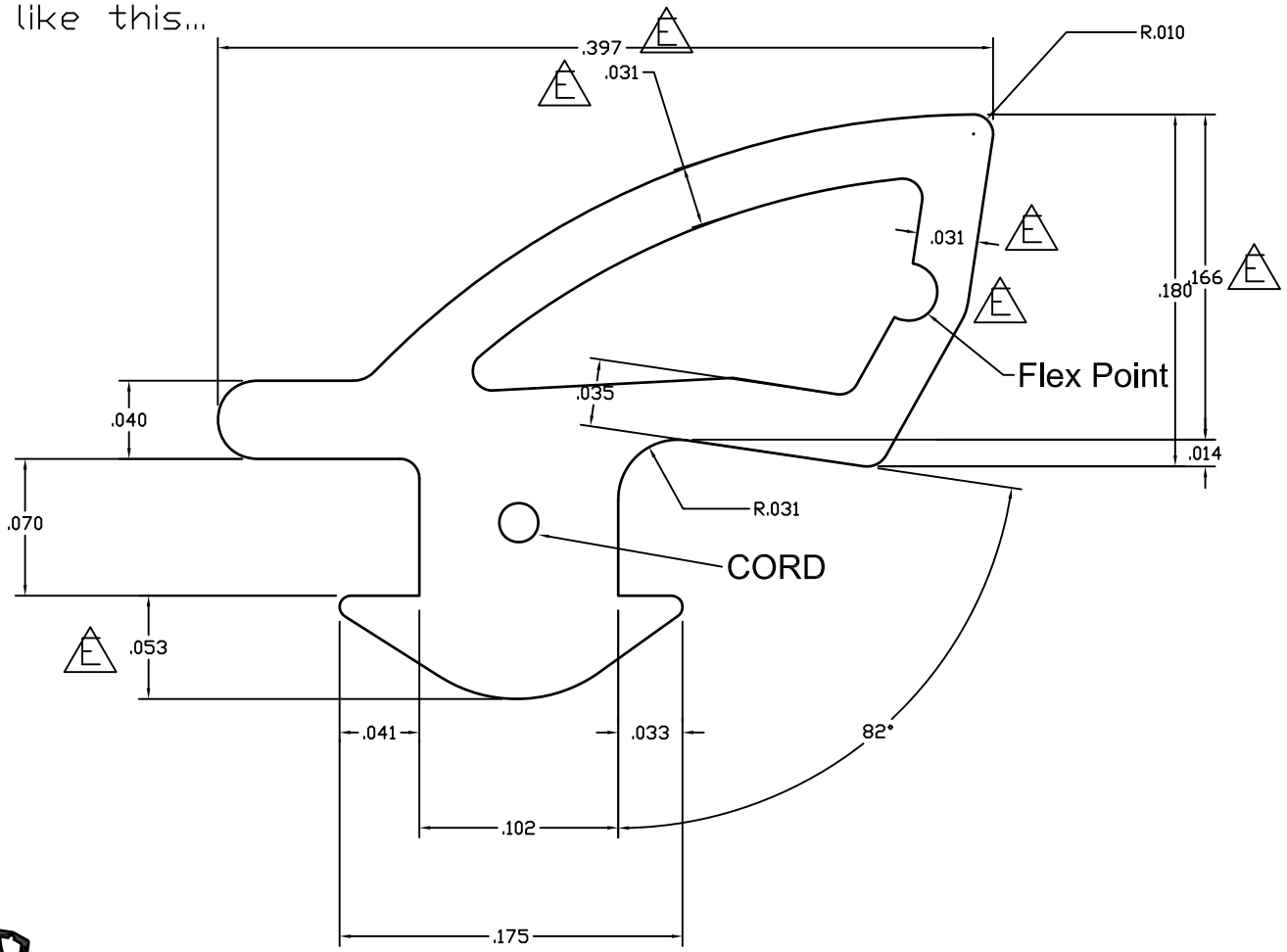
ATI

Report # B3772-116-45

Date 10/20/2011

Simulator Eric Bakula

Material must UNREEL like this...



ACTUAL SIZE

MATERIAL: EPDM 60 DUROMETER WITH CORD

© 2006 TUBELITE INC. ALL RIGHTS RESERVED
 ALL UNSPECIFIED RADII .015
 * INDICATES .031 RADIUS
 □ DENOTES CRITICAL DIMENSION

TUBELITE®
 DEPENDABLE
 LEADERS IN ECO-EFFICIENT STOREFRONT,
 CURTAINWALL AND ENTRANCE SYSTEMS

3056 WALKER RIDGE NW, SUITE G
 WALKER, MICHIGAN 49544

REV	DATE	DESCRIPTION	INTL
A	08/20/07	MODIFIED DART: .070 WAS .060 AND .051 WAS .061 ADDED CORD	NIK
B	10/16/08	ADDED MANUFACTURER'S TOLERANCES FOR REFERENCE	SRD
C	10/22/10	Modified gasket position of how the reel should roll	TT
D	12/16/10	Modified gasket position of how the reel should roll	TT
E	02/15/11	Rev flex pt, thickness was .032, .180 was .188	TT

1/4"-1" DOOR GLAZING GASKET
 500' ROLLS

DRAWN BY NIK	DRWG DATE 4-17-07	APPV.D BY	DATE APPV'D	REV
DRWG SCALE 10X	PRODUCT CODE 100	P0017		E

P1098A

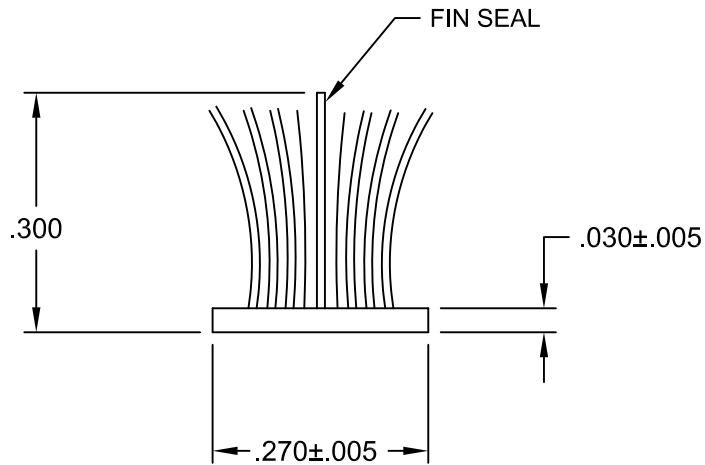
B

ATI

Report # B3772-116-45

Date 10/20/2011

Simulator Eric Basile



Actual Size

© 2006 TUBELITE INC. ALL RIGHTS RESERVED

ALL UNSPECIFIED RADII .015

* INDICATES .031 RADIUS

DENOTES CRITICAL DIMENSION

TUBELITE®
DEPENDABLE
**LEADERS IN ECO-EFFICIENT STOREFRONT,
 CURTAINWALL AND ENTRANCE SYSTEMS**

3056 WALKER RIDGE NW, SUITE G
 WALKER, MICHIGAN 49544

REV	DATE	DESCRIPTION	INTL
A	03/08/83	Release Part per ED 109	
B	05/29/02	Redrawn for CAD	DMT

Poly Bond Fin-Seal Weathering
 use with Door Stop E1377

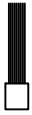
DRAWN BY Don H	DRWG DATE 06/03/83	APPV,D BY	DATE APPV'D
DRWG SCALE Noted	PRODUCT CODE 380	P1098A	
			B

ATI

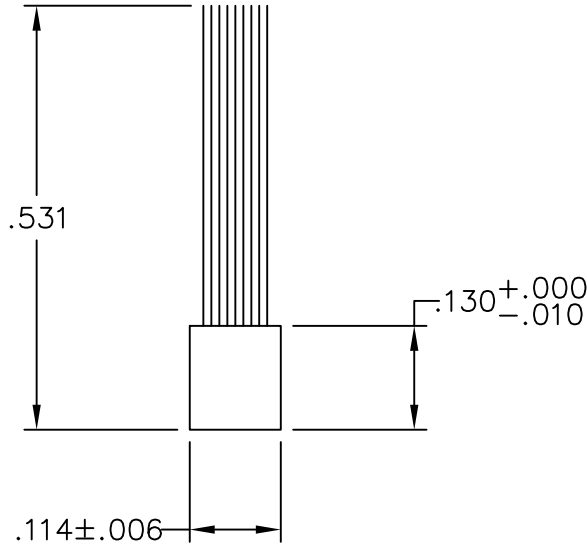
Report # B3772-116-45

Date 10/20/2011

Simulator Eric Barilac



Actual Size



Four Times Size

Purchased Part

Schlege Pile Weathering
Part Number 364-1006-5101

© 2006 TUBELITE INC. ALL RIGHTS RESERVED

ALL UNSPECIFIED RADII .015

* INDICATES .031 RADIUS

□ DENOTES CRITICAL DIMENSION

TUBELITE®
DEPENDABLE
LEADERS IN ECO-EFFICIENT STOREFRONT,
CURTAINWALL AND ENTRANCE SYSTEMS

3056 WALKER RIDGE NW, SUITE G
WALKER, MICHIGAN 49544

REV	DATE	DESCRIPTION	INTL
A	05/03/02	Redrawn for CAD	DMT

Pile Weathering to use with E1195 and E1152			
DRAWN BY PJ	DRWG DATE 10/03/75	APPV,D BY	DATE APPV'D
DRWG SCALE Noted	PRODUCT CODE 110	P938	
			REV A

