

**DEPENDABLE  
PRODUCT  
NEWS**  
**TUBELITE®**  
**DEPENDABLE**

LEADERS IN ECO-EFFICIENT STOREFRONT,  
CURTAINWALL AND ENTRANCE SYSTEMS

Date: **01/13/2012**

Engineering Bulletin: **011201**

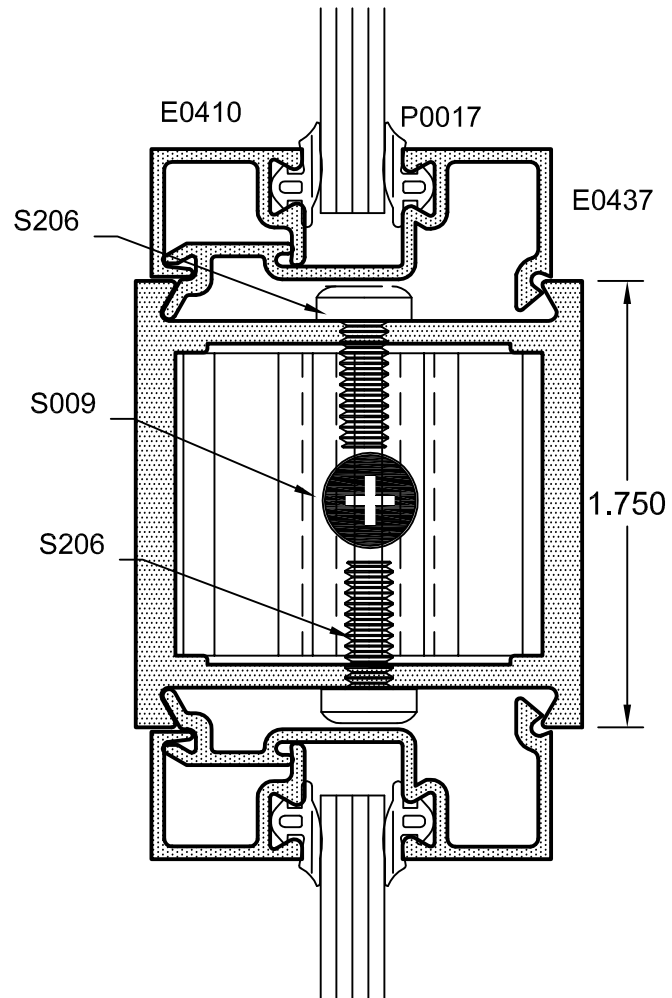
Effective Date: **01/27/2012**

Released By: **T.Trinh**

Subject: **Dove Tail Mid Rail Lugs P0131A-OR - P0131K-OR**

Description: Releasing mid rail lugs to be use for attached dove tail mid rail extrusions. The lugs will replace lugs P0119A-OR - P0119J-OR. These new lugs have screw spline capability to attached to the rails.

Lug P/N	List Price
P 0131 A	11
P 0131 B	10
P 0131 C	9
P 0131 D	12
P 0131 E	11
P 0131 F	10
P 0131 G	10
P 0131 H	10
P 0131 I	9
P 0131 J	9
P 0131 K	9

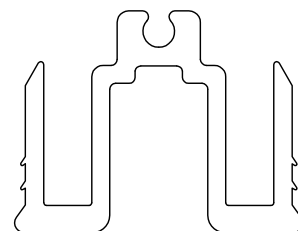
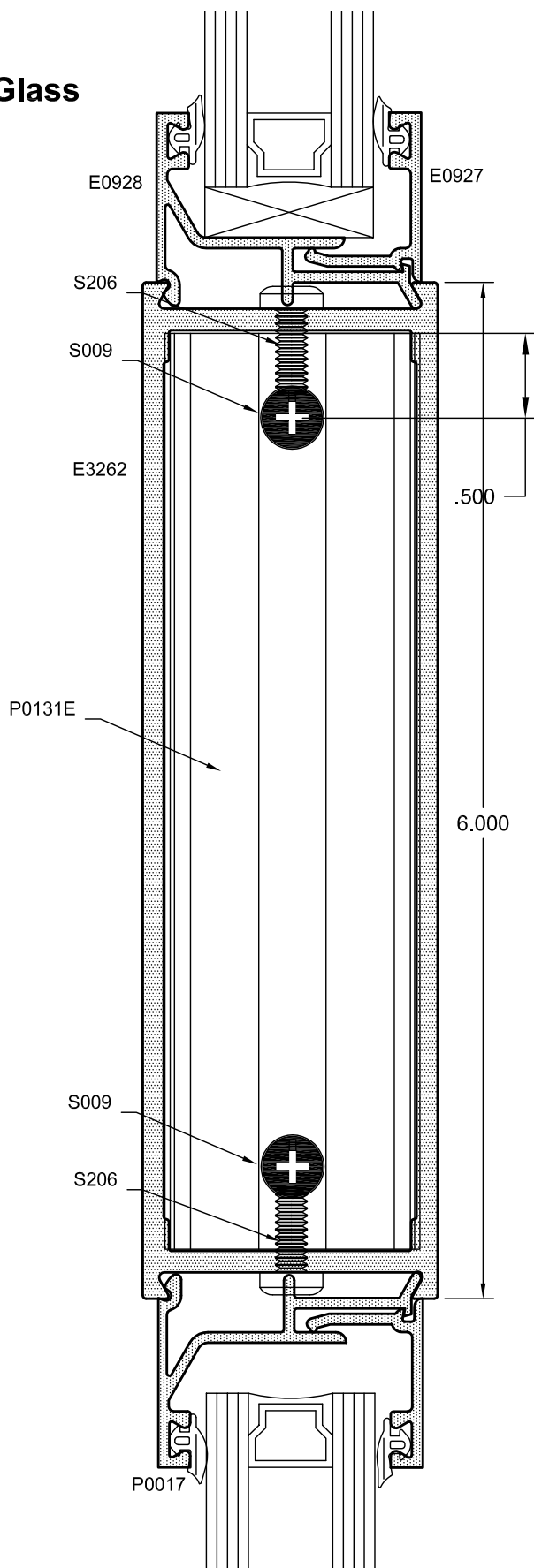
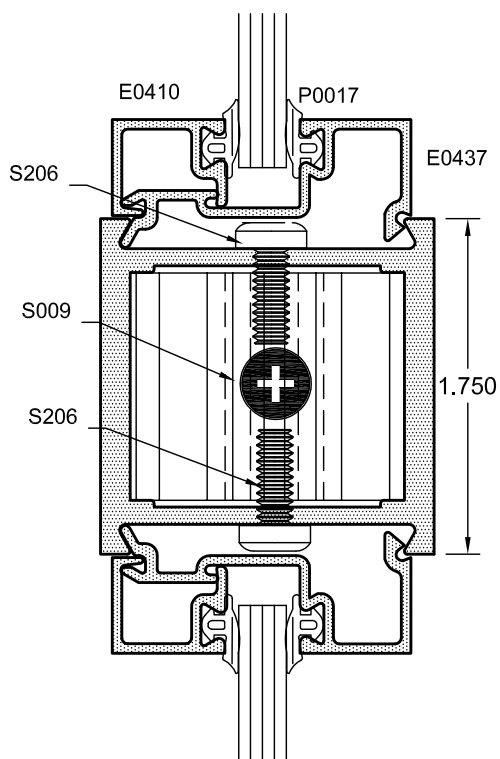


PLEASE SEE NEXT PAGE MORE  
INFORMATION.

# Standard Entrances

## Intermediate Horizontal With 1" Glass

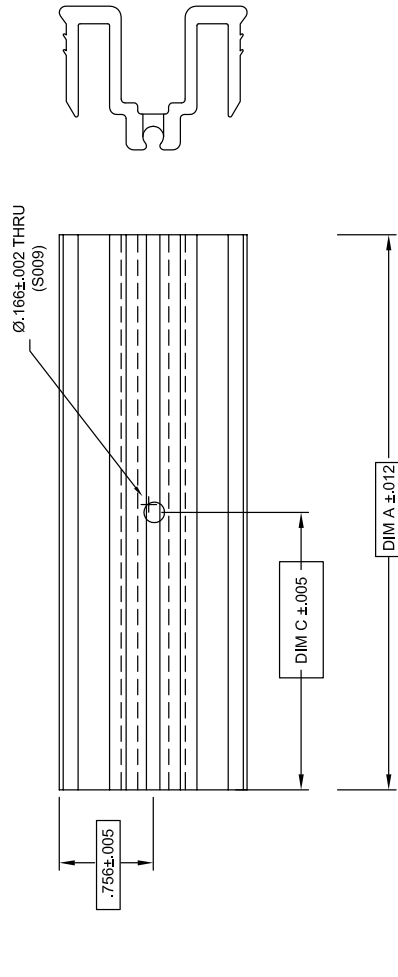
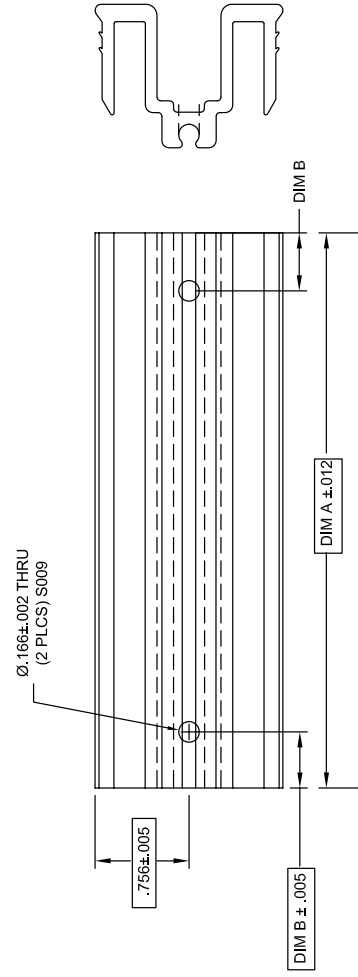
Depending on lugs used, there may be 1 or 2 hole locations for the S009



P0131 A-K

P0131

B

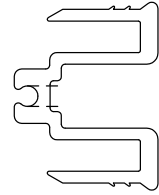


PART NUMBER	Rail used	DIM A	DIM B	DIM C
P0131A-0R	6" Monumental - E2945	5.254	.500	N/A
P0131B-0R	4 1/2" Monumental - E2944	3.784	.500	N/A
P0131C-0R	3 1/2" Monumental - E2943	2.744	N/A	1.397
P0131D-0R	7 1/2" - E3263	6.918	.500	N/A
P0131E-0R	6" - E3262	5.416	.500	N/A
P0131F-0R	5" - E3258	4.418	.500	N/A
P0131G-0R	4 1/2" - E3261	3.916	.500	N/A
P0131H-0R	4" - E3256	3.418	.500	N/A
P0131I-0R	3" - E3259	2.418	N/A	1.209
P0131J-0R	2 1/8" - E3255	1.543	N/A	.771
P0131K-0R	1 3/4" - E0734	1.186	N/A	.593

**Notes**

Each rail needs 2 lugs with (2 OR 4) S-009 screws; (4) S-206

MATERIAL - E 0925 Mid Rail Lug Extrusion



ACTUAL SIZE

© 2009 TUBELITE INC. ALL RIGHTS RESERVED  
 ALL UNSPECIFIED RADII .015  
 \* INDICATES .031 RADIUS  
 DENOTES CRITICAL DIMENSION

**TUBELITE**  
 THERMAL BREAK  
 LUMINOUS ESCAPE ROUTE  
 CURTAIN WALL AND ENTRANCE SYSTEMS

3056 WALKER RIDGE NW, SUITE G  
 WALKER, MICHIGAN 49544

REV	DATE	PLS	DESCRIPTION	INTL
A	09/16/11	TT		TT
B	09/22/11	TT	E0925 WAS E0924	TT

DOVETAIL MID RAIL LUGS -  
 NON-THERMAL DOORS  
 PART NUMBERS P0131A - P0131K

DRAWN BY	TT	DATE	06/16/2011	APP'D BY	TT	REV	B
SCALE	N/A	PRODUCT CODE	90	PART NUMBER	P0131	REV	B