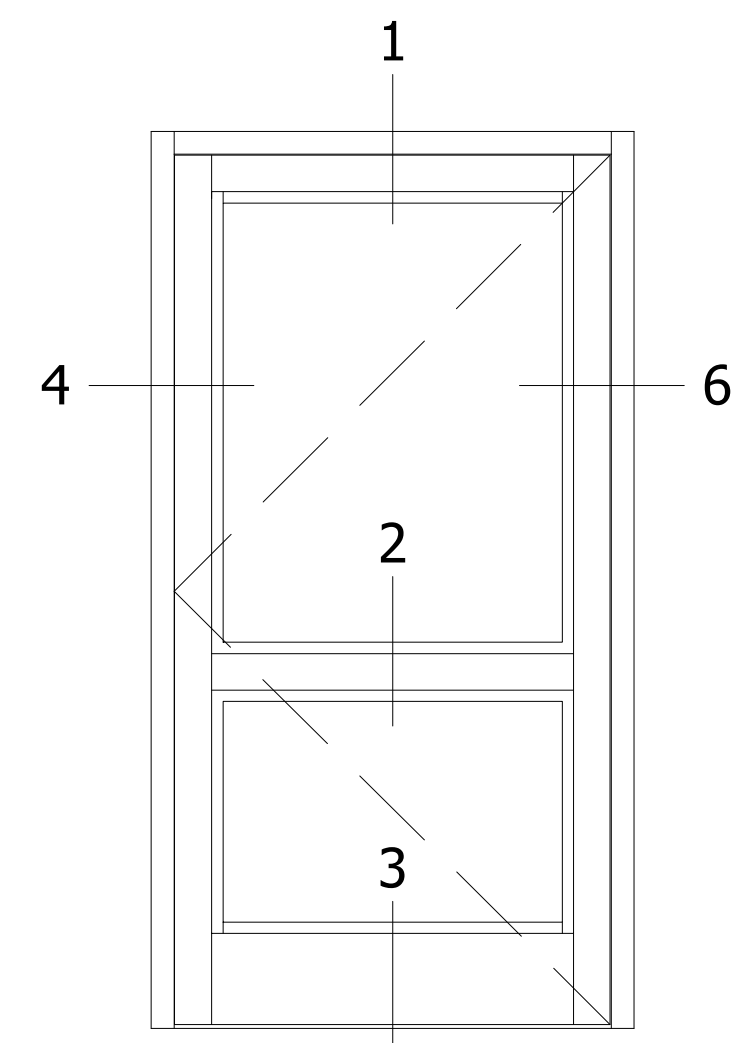
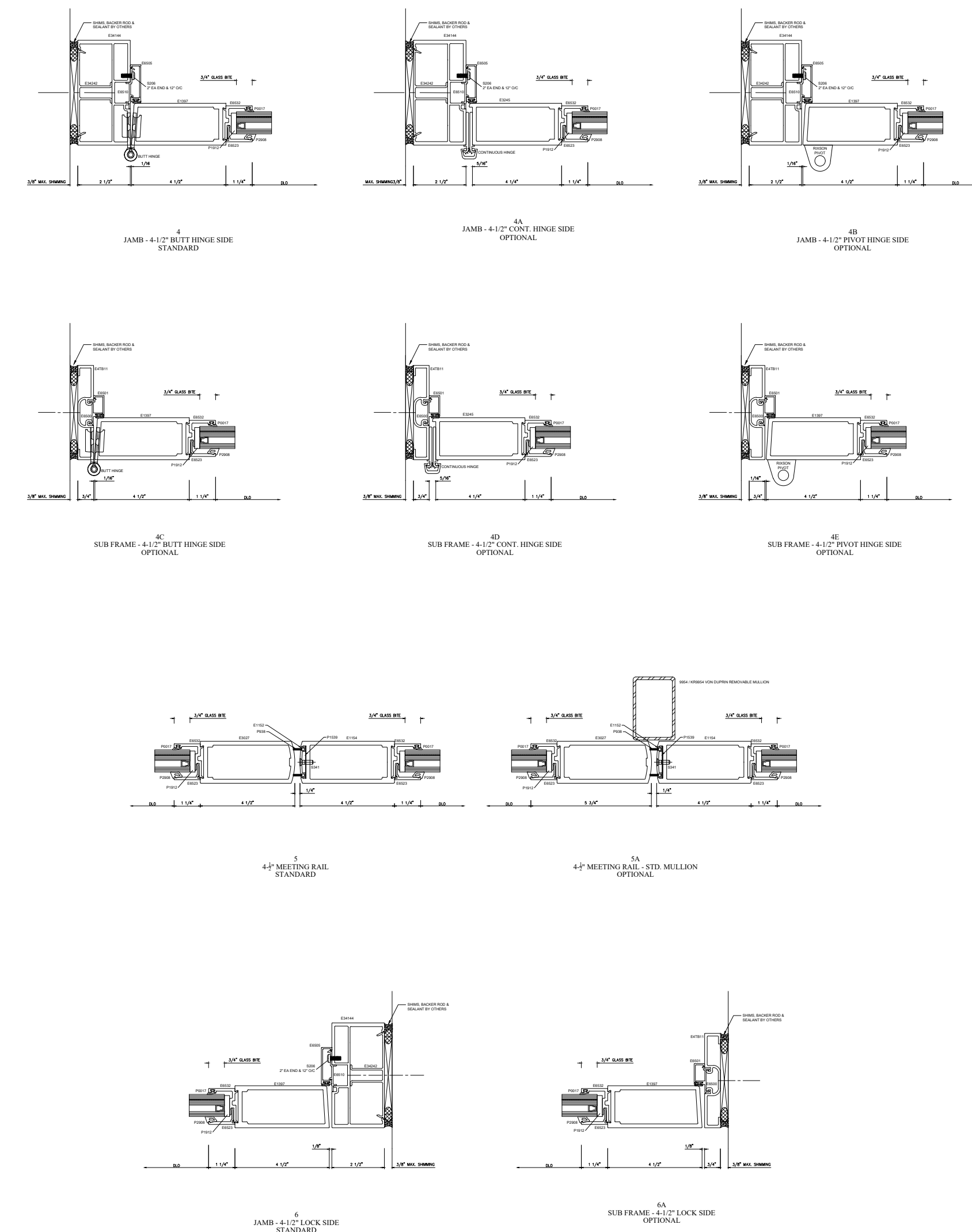
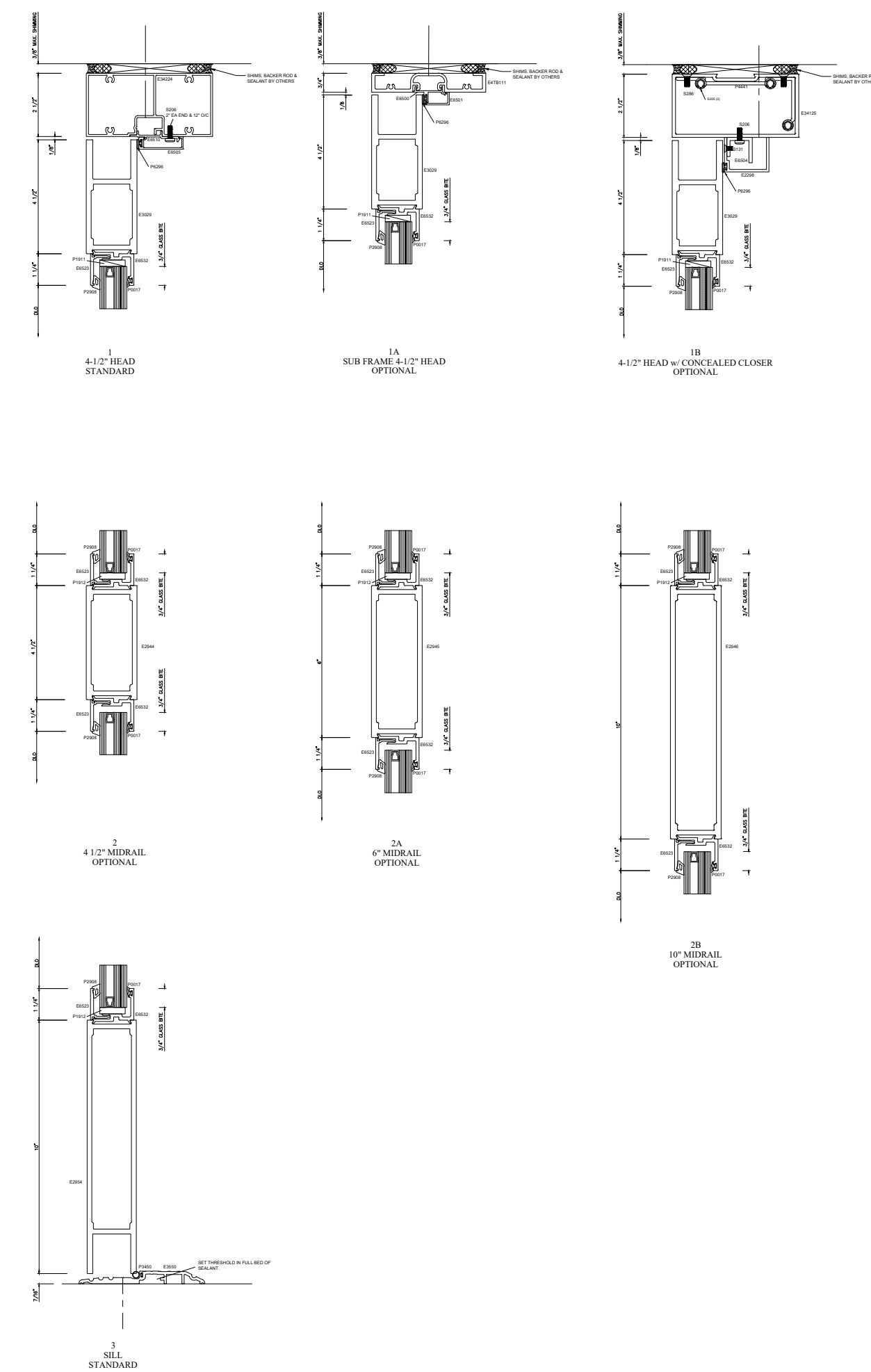


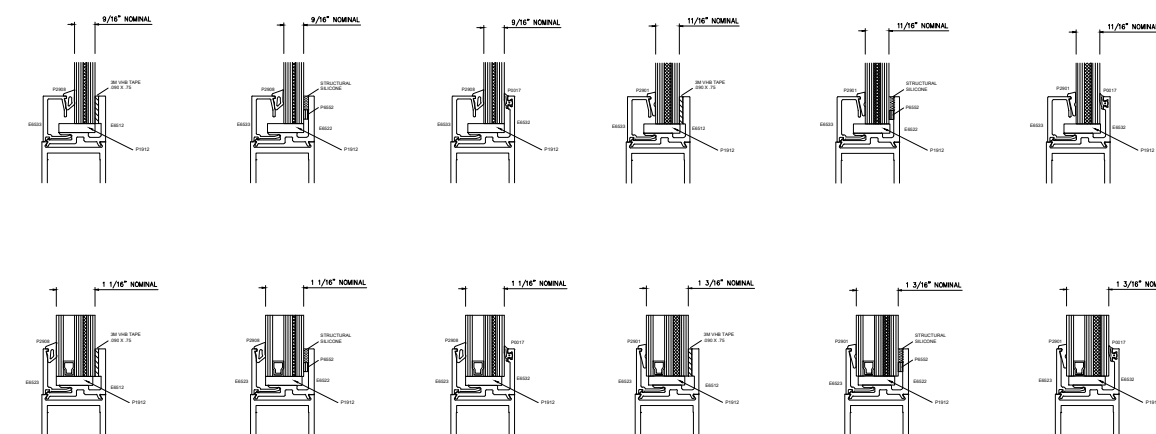
TYPICAL ELEVATION



TYPICAL ELEVATION



**FORCEFRONT STORM
WIND ZONE 3 MONUMENTAL MEDIUM STILE ENTRANCES**



GLAZING OPTIONS

General Note:

Refer to Tubelite's Florida Product Approval documents for limitations on configurations, sizes, hardware, glass/glazing options and anchorage information.

TUBELITE®

DEPENDABLE

LEADERS IN ECO-EFFICIENT STOREFRONT,
CURTAINWALL AND ENTRANCE SYSTEMS

Last Revised: 10-31-2019